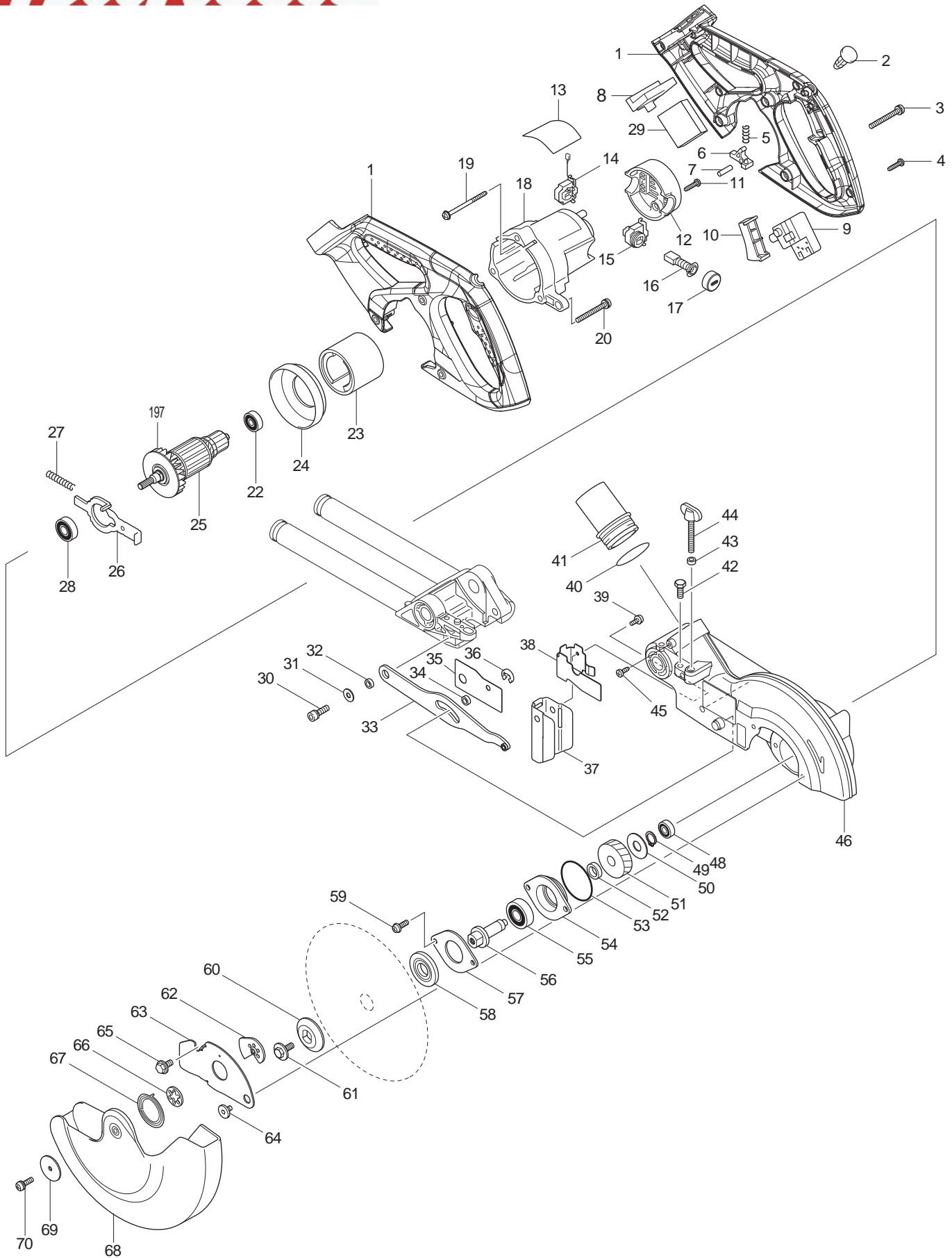
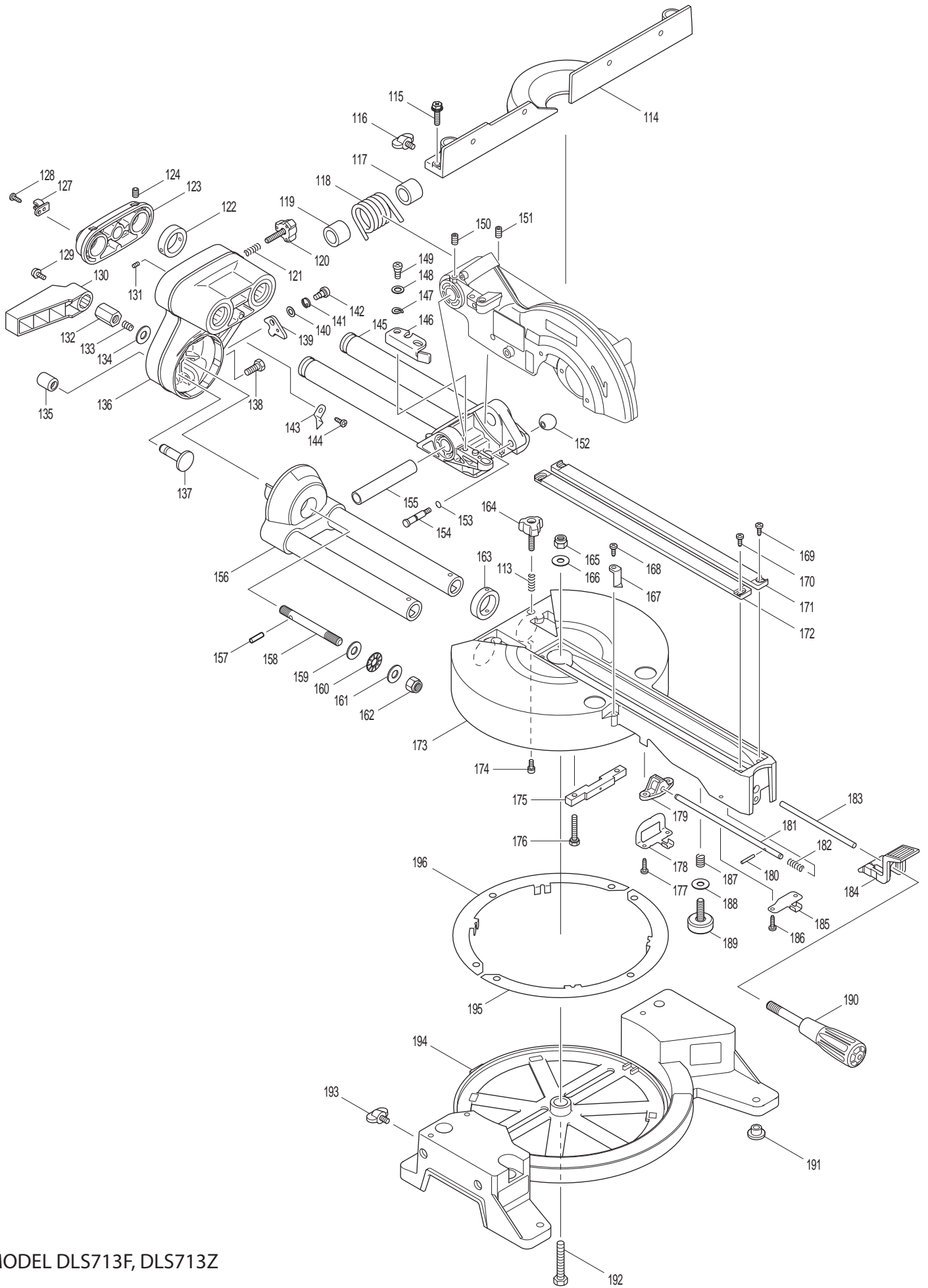




03 - 2014  
DLS713F, DLS713Z  
18V 7-1/2" SLIDING MITRE SAW





2 MODEL DLS713F, DLS713Z

Item No	Type	Part No	Description	Qty	Unit
001		188961-5	HANDLE SET	1	PC.
002		417113-4	SWITCH BUTTON	1	PC.
003		911268-2	PAN HEAD SCREW M5X45	3	PC.
004	2	265A48-7	TAPPING SCREW 4X18	5	PC.
005		231026-3	COMPRESSION SPRING 4	1	PC.
006		416533-9	LOCK OFF LEVER	1	PC.
007		256123-4	PIN 5	1	PC.
008		644808-8	TERMINAL	1	PC.
009		651956-6	SWITCH TG72BD	1	PC.
010		452130-7	SWITCH LEVER	1	PC.
011	2	265A48-7	TAPPING SCREW 4X18	2	PC.
012		416639-3	REAR COVER	1	PC.
013		815T55-0	NAME PLATE F/DLS713	1	PC.
014		643939-0	BRUSH HOLDER	1	PC.
015		643966-7	BRUSH HOLDER	1	PC.
016		195022-4	CARBON BRUSH CB-441	1	SET
017		643941-3	BRUSH HOLDER CAP	2	PC.
018		416909-0	MOTOR HOUSING	1	PC.
019		266209-6	TAPPING SCREW 4X60	2	PC.
020		911268-2	PAN HEAD SCREW M5X45	3	PC.
022	2	210045-2	BALL BEARING 627DDW	1	PC.
023		632828-4	YOKE UNIT	1	PC.
024		416907-4	BAFFLE PLATE	1	PC.
025		519269-0	ARMATURE ASS'Y 18V	1	PC.
	INC.		Item No. 22,28,197		
026		344681-3	SHAFT LOCK	1	PC.
027		233092-6	COMPRESSION SPRING 5	1	PC.
028		211088-7	BALL BEARING 6000DDW	1	PC.
029		620263-8	CONTROLLER	1	PC.
030		922331-6	HEX. SOCKET HEAD BOLT M6X20	1	PC.
031		253804-1	FLAT WASHER 6	1	PC.
032		257163-5	RING 6	1	PC.
033		154643-1	LINK PLATE COMPLETE	1	PC.
034		257163-5	RING 6	1	PC.
035		346330-8	LINK COVER	1	PC.
036		961018-5	STOP RING E-5	1	PC.
037		424045-8	GUARD	1	PC.
038		345438-5	GUARD PLATE	1	PC.
039		911113-1	PAN HEAD SCREW M4X10	1	PC.
040		213460-9	O RING 35	1	PC.
041		419277-0	DUST NOZZLE	1	PC.
042		266757-5	HEX. SOCKET HEAD BOLT M6X16	1	PC.
043		262001-8	URETHANE RING 5	1	PC.
044		265717-4	SCREW M6X43	1	PC.
045		266026-4	TAPPING SCREW BIND CT 4X12	1	PC.
046	2	140H25-1	BLADE CASE COMPLETE	1	PC.
	INC.	263002-9	RUBBER PIN 4	1	PC.
	INC.	263005-3	RUBBER PIN 6	1	PC.
	INC.	804C98-5	CAUTION LABEL (W/BL1815N,BL1820,BL1830,BL1840,BL1850)	1	PC.
048		211021-9	BALL BEARING 607LLB	1	PC.
049		961052-5	RETAINING RING S-12	1	PC.
050		253813-0	FLAT WASHER 12	1	PC.
051		226512-7	HELICAL GEAR 60	1	PC.
052		257011-8	RING 12	1	PC.

Item No	Type	Part No	Description	Qty	Unit
053		213623-7	O RING 46	1	PC.
054		317193-9	BEARING BOX	1	PC.
055		211129-9	BALL BEARING 6201DDW	1	PC.
056		323798-5	SPINDLE	1	PC.
057		285694-4	BEARING RETAINER 58	1	PC.
058		224151-7	INNER FLANGE 40	1	PC.
059		911223-4	PAN HEAD SCREW M5X16	2	PC.
060		224275-9	OUTER FLANGE 40	1	PC.
061		266733-9	HEX. S.F.H. BOLT M6X16	1	PC.
062		345585-2	CENTER PLATE	1	PC.
063		346232-8	CENTER COVER	1	PC.
064		265985-9	HEX.SOCKET HEAD BOLT M6	1	PC.
065		266732-1	HEX. SOCKET HEAD BOLT M6X16	1	PC.
066		345589-4	CENTER WASHER	1	PC.
067		231934-8	SPIRAL SPRING 26	1	PC.
068	1	419123-7	SAFETY COVER	1	PC.
	2	458786-4	SAFETY COVER	1	PC.
069		267136-0	FLAT WASHER 5	1	PC.
070	2	265491-4	HEX SOCKET BUTTON HEAD M5X16	1	PC.
113		231325-3	COMPRESSION SPRING 6	1	PC.
114	1	318655-0	GUIDE FENCE	1	PC.
	2	319193-5	GUIDE FENCE	1	PC.
115		922344-7	H.S.H.BOLT M6X25 WITH WG	3	PC.
116		251887-5	SCREW M6X10	1	PC.
117		416535-5	SLEEVE 17	1	PC.
118		231638-2	TORSION SPRING 28	1	PC.
119		416535-5	SLEEVE 17	1	PC.
120		265790-4	THUMB SCREW M6X28	1	PC.
121		231325-3	COMPRESSION SPRING 6	1	PC.
122		257214-4	RING 26	1	PC.
123		318651-8	PIPE HOLDER	1	PC.
124		266208-8	H.S.SET SCREW(CUP POINT)M6X8	2	PC.
127		687045-1	STRAIN RELIEF	1	PC.
128		266026-4	TAPPING SCREW BIND CT 4X12	1	PC.
129		911113-1	PAN HEAD SCREW M4X10	1	PC.
130		416006-2	LEVER 100	1	PC.
131		913106-4	SET SCREW M4X8	1	PC.
132		252144-4	HEX. NUT M10-17	1	PC.
133		231266-3	COMPRESSION SPRING 5	1	PC.
134		253024-7	FLAT WASHER 10	1	PC.
135		286236-7	CAP 16	1	PC.
136		140609-7	ARM COMPLETE	1	PC.
	INC.	211376-2	LINEAR BALL BEARING 2560	2	PC.
	INC.	262077-5	FELT RING 25	4	PC.
	INC.	263005-3	RUBBER PIN 6	2	PC.
	INC.	344638-4	CAP 35	2	PC.
137		324295-4	RELEASE PIN	1	PC.
138		266757-5	HEX. SOCKET HEAD BOLT M6X16	2	PC.
139		345299-3	STOPPER PLATE	1	PC.
140		253726-5	FLAT WASHER 6	1	PC.
141		231663-3	TORSION SPRING 8	1	PC.
142		265113-6	+PAN HEAD SCREW M5	1	PC.
143		343678-9	POINTER	1	PC.
144		266026-4	TAPPING SCREW BIND CT 4X12	1	PC.

Item No	Type	Part No	Description	Qty	Unit
145		140608-9	FRONT ARM COMPLETE	1	PC.
146		344643-1	STOPPER ARM	1	PC.
147		253948-7	WAVE WASHER 8	1	PC.
148		253835-0	FLAT WASHER 8	1	PC.
149		251267-5	+ PAN HEAD SCREW M6	1	PC.
150		251961-9	H.S.SET SCREW(FLAT POINT)M6X10	1	PC.
151		251961-9	H.S.SET SCREW(FLAT POINT)M6X10	1	PC.
152		271601-3	KNOB 20	1	PC.
153		213021-5	O RING 5	1	PC.
154		324183-5	STOPPER PIN	1	PC.
155		331350-5	PIN 16-90	1	PC.
156		140610-2	ARM HOLDER COMPLETE	1	PC.
	INC.	816392-5	BEVEL SCALE LABEL	1	PC.
157		256123-4	PIN 5	1	PC.
158		266320-4	SCREW M10	1	PC.
159		253024-7	FLAT WASHER 10	1	PC.
160		216413-7	THRUST NEEDLE CAGE 1024	1	PC.
161		253024-7	FLAT WASHER 10	1	PC.
162		252130-5	HEX. LOCK NUT M10-17	1	PC.
163		257214-4	RING 26	1	PC.
164		265790-4	THUMB SCREW M6X28	1	PC.
165		252105-4	HEX. LOCK NUT M8-13	1	PC.
166		253731-2	FLAT WASHER 8	1	PC.
167		416355-7	INDICATION PLATE	1	PC.
168		266026-4	TAPPING SCREW BIND CT 4X12	1	PC.
169		266026-4	TAPPING SCREW BIND CT 4X12	2	PC.
170		266026-4	TAPPING SCREW BIND CT 4X12	2	PC.
171		419103-3	KERF BOARD	1	PC.
172		419103-3	KERF BOARD	1	PC.
173		142723-5	TURN BASE COMPLETE	1	PC.
	INC.	211376-2	LINEAR BALL BEARING 2560	2	PC.
	INC.	262077-5	FELT RING 25	4	PC.
	INC.	263005-3	RUBBER PIN 6	1	PC.
	INC.	344638-4	CAP 35	2	PC.
	INC.	891788-1	CAUTION LABEL	1	PC.
	INC.	804D00-4	CAUTION LABEL (W/NO BATTERY NO.)	1	PC.
	INC.	816787-2	INDICATION LABEL	1	PC.
	INC.	813L22-1	CAUTION LABEL	2	PC.
174		922111-0	HEX. SOCKET HEAD BOLT M4X10	1	PC.
175		153580-6	SQUARE ROD COMPLETE	1	PC.
	INC.	263005-3	RUBBER PIN 6	1	PC.
176		925251-3	HEX.BOLT M5X30	2	PC.
177		266034-5	TAPPING SCREW CT 4X16	2	PC.
178		344601-7	LOCK PLATE	1	PC.
179		317616-7	PIN HOLDER	1	PC.
180		256158-5	PIN 3	1	PC.
181		324288-1	LOCK PIN	1	PC.
182		231325-3	COMPRESSION SPRING 6	1	PC.
183		324289-9	ROD 6	1	PC.
184		416450-3	LOCK LEVER	1	PC.
185		345272-3	LOCK LEVER PLATE	1	PC.
186		266034-5	TAPPING SCREW CT 4X16	2	PC.
187		231418-6	COMPRESSION SPRING 9	1	PC.
188		253731-2	FLAT WASHER 8	1	PC.

Item No	Type	Part No	Description	Qty	Unit
189		266432-3	ADJUST BOLT M8X27	1	PC.
190		273658-0	GRIP 32	1	PC.
191		286212-1	CAP 20	5	PC.
192		921472-5	HEX. BOLT M8X50	1	PC.
193	2	911318-3	SCREW M6X10	2	PC.
194		140700-1	BASE COMPLETE	1	PC.
	INC.	816339-9	MITER SCALE PLATE	1	PC.
	INC.	810484-2	CAUTION LABEL	1	PC.
195		344646-5	SLIDE PLATE	1	PC.
196		344646-5	SLIDE PLATE	1	PC.
197		241873-4	FAN 55	1	PC.
C01		876240-0	CARTON	1	PC.
D01		654208-4	RECEPTACLE	1	PC.
E01		127056-9	SUB FENCE COM.	1	PC.
	INC.	818L95-9	CAUTION LABEL	1	PC.
E02		252014-7	HEX LOCK NUT M6-10	1	PC.
E03		266061-2	TAP SCREW BIND CT M4X8	1	PC.
E04		345359-1	SUB FENCE PLATE	1	PC.
E05		912357-6	COUNTERSUNK HEAD SCREW M6X35	1	PC.
E06		253804-1	FLAT WASHER 6	1	PC.
<b><u>ACCESSORIES</u></b>					
A01		122571-8	VERTICAL VICE ASS'Y	1	PC.
	INC.	316938-2	VICE ARM	1	PC.
	INC.	251887-5	SCREW M6X10	1	PC.
	INC.	322313-2	VICE ROD	1	PC.
	INC.	265733-6	THUMB SCREW M10X60	1	PC.
	INC.	253804-1	FLAT WASHER 6	1	PC.
	INC.	343651-9	VICE PLATE	1	PC.
	INC.	251370-2	+ PAN HEAD SCREW M5	1	PC.
A02		122852-0	DUST BAG ASS'Y	1	PC.
	INC.	410602-8	FASTENER	1	PC.
A03		762001-3	TRIANGULAR RULE	1	PC.
A04		322312-4	HOLDER	2	PC.
A05		783203-8	HEX. WRENCH 5	1	PC.
A06		-----	7-1/2" MITRE SAW BLADES		
A07		-----	18V LI-ION BATTERY		
A08		-----	BATTERY CHARGER		
A09		-----	LI-ION BATTERY ACCESSORIES		
A10		127056-9	HOLDER ASSEMBLY W/ROD	2	PC.
F01		122472-0	SET PLATE ASS'Y	1	PC.
	INC.	251887-5	SCREW M6X10	1	PC.
	INC.	345709-0	SET PLATE	1	PC.
F02		122567-9	VICE ASS'Y-HORIZONTAL	1	PC.
	INC.	253047-5	FLAT WASHER 6	1	PC.
	INC.	253744-3	FLAT WASHER 12	1	PC.
	INC.	271272-6	KNOB 45	1	PC.
	INC.	315891-9	VICE PLATE	1	PC.
	INC.	321490-7	RELEASE NUT R	1	PC.
	INC.	321491-5	RELEASE NUT L	1	PC.
	INC.	341911-3	PROTECTOR	2	PC.
	INC.	341912-1	NUT HOLDER	1	PC.

Item No	Type	Part No	Description	Qty	Unit
		INC. 342967-9	SET PLATE	1	PC.
		INC. 911216-1	PAN HEAD SCREW M5X14	1	PC.
		INC. 911317-5	PAN HEAD SCREW M6X14	1	PC.
		INC. 151201-4	WISE ARM COMPLETE	1	PC.
		INC. 251887-5	SCREW M6X10	2	PC.
		INC. 265917-6	ADJUST BOLT M8X42	2	PC.
F04	1	194061-1	BENCHTOP MITER SAW STAND B (Parts Breakdown Available)	1	PC.
	2	198688-9	BENCHTOP MITER SAW STAND B	1	PC.
F05	1	194943-7	SLIDE MITRE SAW STAND C (Partsbreakdown available)	1	PC.
	2	198687-1	SLIDE MITRE SAW STAND C WST01	1	PC.
F06		256812-1	EXTENSION ROD 12	1	PC.