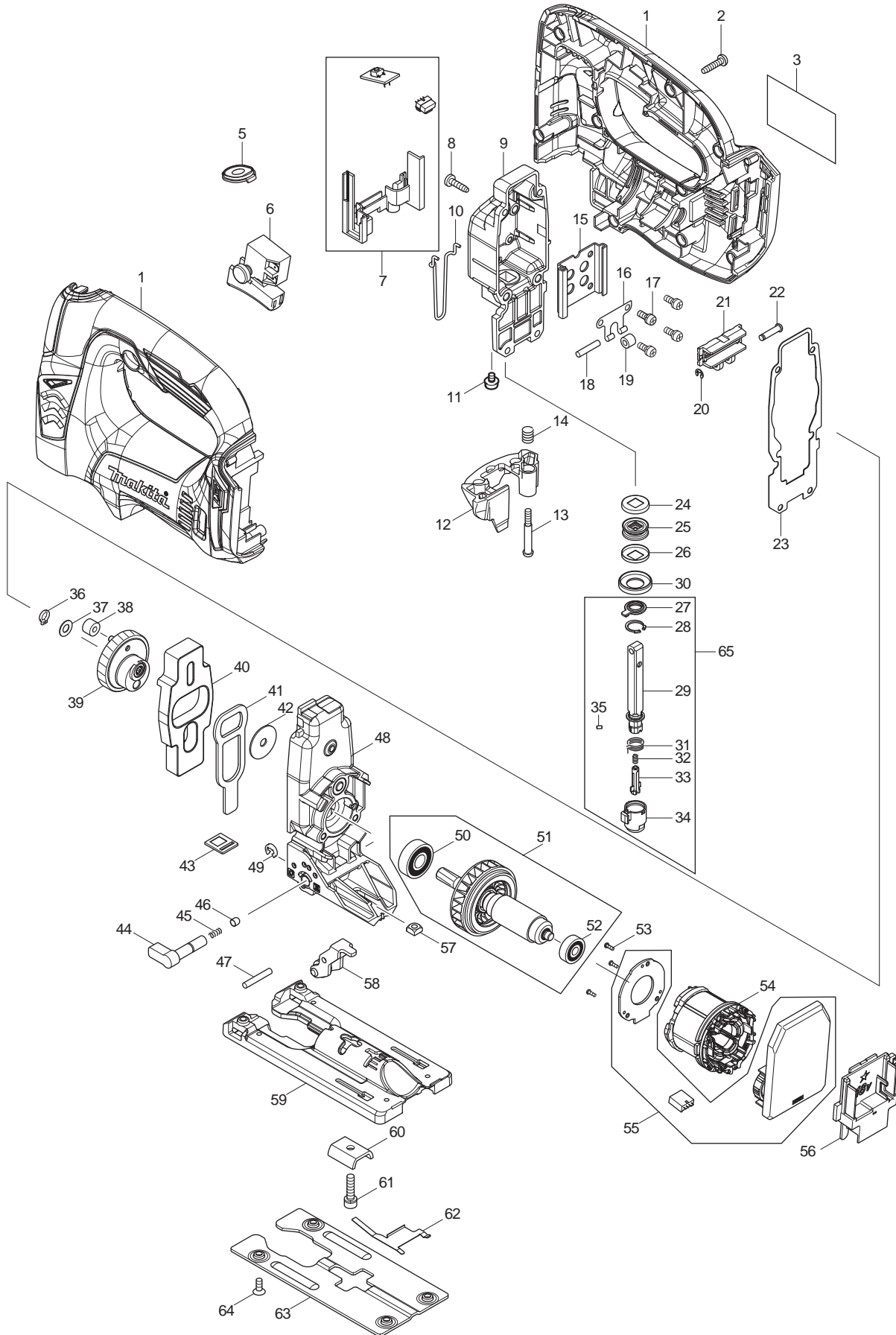




07 - 2014
DJV182RME / DJV182RFE / DJV182Z
18V BRUSHLESS JIG SAW (TOP HANDLE)



Item No.	Type	Sub	Part No.	Description	Qty	Unit
001			187706-8	HOUSING SET	1	PC.
		INC.	263005-3	RUBBER PIN 6	2	PC.
002			265995-6	TAPPING SCREW 4X18	9	PC.
003			814V65-6	NAME PLATE F/DJV182	1	PC.
005			142303-7	SWITCH PLATE COMPLETE	1	PC.
006			650251-1	SWITCH SGEL106C-4	1	PC.
007			632B56-3	SWITCH UNIT	1	PC.
008			266034-5	TAPPING SCREW CT 4X16	4	PC.
009			142112-4	GEAR HOUSING COVER COMPLETE	1	PC.
010			326302-9	SAFETY WIRE	1	PC.
011			911104-2	PAN HEAD SCREW M4X6	1	PC.
012			454483-0	TOOL OPENER	1	PC.
013			265026-1	+ PAN HEAD SCREW M4	1	PC.
014			231659-4	TORSION SPRING 6	1	PC.
015			346687-7	LINEAR GUIDE	1	PC.
016			232207-2	LEAF SPRING	1	PC.
017			911111-5	PAN HEAD SCREW M4X10	4	PC.
018			256117-9	PIN 4	1	PC.
019			214031-5	PLANE BEARING 4	1	PC.
020			961017-7	STOP RING E-3	1	PC.
021	2		310837-0	* SLIDER	1	PC.
022			268090-1	PIN 4	1	PC.
023			442195-7	GASKET	1	PC.
024			267854-0	CAP WASHER 8	1	PC.
025			421815-6	DUST SEAL 8	1	PC.
026			267854-0	CAP WASHER 8	1	PC.
027			424569-4	DUST COVER	1	PC.
028			962063-3	RETAINING RING R-13	1	PC.
029			165724-6	ROD	1	PC.
030			257347-5	RING 21	1	PC.
031			233591-8	TORSION SPRING 10	1	PC.
032			233314-4	COMPRESSION SPRING 4	1	PC.
033			310485-5	LOCK PIN	1	PC.
034			310547-9	BLADE HOLDER	1	PC.
035			256528-8	PIN 2	1	PC.
036			961002-0	RETAINING RING S-6	1	PC.
037			253715-0	FLAT WASHER 6	1	PC.
038	2		212092-9	NEEDLE BEARING 407	1	PC.
039			142109-3	GEAR COMPLETE	1	PC.
040			313260-8	BALANCE PLATE	1	PC.
041			346688-5	PUSH PLATE	1	PC.
042			253196-8	FLAT WASHER 6	1	PC.
043			454484-8	SEAL PLATE	1	PC.
044	2		272280-0	LEVER 17	1	PC.
045			233139-6	COMPRESSION SPRING 3	1	PC.
046			286032-3	CAP 5	1	PC.
047			268063-4	PIN 4	1	PC.
048			142111-6	GEAR HOUSING COMPLETE	1	PC.
049			961018-5	STOP RING E-5	1	PC.
050			210059-1	BALL BEARING 6000DDW	1	PC.
051			519329-8	ROTOR ASSY	1	PC.
		INC.		Item No. 50,52		
052			210022-4	BALL BEARING 626DDW	1	PC.

Item No.	Type	Sub	Part No.	Description	Qty	Unit
053			266490-9	TAPPING SCREW PT 2X6	3	PC.
054			629998-8	STATOR	1	PC.
055	1		620248-4	CONTROLLER	1	PC.
	2		620B24-8	CONTROLLER	1	PC.
056			643899-6	TERMINAL	1	PC.
057			252171-1	SQUARE NUT M5-8	1	PC.
058			142110-8	RETAINER COMPLETE	1	PC.
059			319016-7	BASE	1	PC.
060			345237-5	CRANK PLATE	1	PC.
061			922231-0	HEX. SOCKET HEAD BOLT M5X20	1	PC.
062			232208-0	LEAF SPRING	1	PC.
063			346685-1	BASE PLATE	1	PC.
064			265085-5	+ COUNTERSUNK HEAD SCREW M4X8	4	PC.
065			135602-4	ROD ASS'Y	1	PC.
		INC.		Item No. 27-29,31-35		
D01			654510-5	INSULATED CONNECTOR 5.5-SD	3	PC.
E01			802C68-8	CAUTION LABEL	1	PC.
<u>ACCESSORIES</u>						
A02			415524-7	ANTI-SPLINTERING DEVICE	1	PC.
A03			417852-6	COVER PLATE	1	PC.
A04			792724-9	JIG SAW BLADE ASSORTED 6PC KIT(2 EA: B-10, B-22, BR	1	SET
			792473-8	JIGSAW BLADE NO.B22 5PC/SET	1	SET
			792529-7	JIG SAW BLADE B-10, 5PC/SET	1	SET
			792729-9	JIGSAW BLADE NO.BR13 5PC/SET	1	SET
			E-10687	JIG SAW BLADE 3PC/KIT	1	KT
A07			783202-0	HEX. WRENCH 4	1	PC.
A08			821593-2	PLASTIC CARRYING CASE	1	PC.
		INC.	162315-4	LATCH	2	PC.
A08C			197211-7	INTERLOCKING CASE M (TYPE2)	1	PC.
		INC.	453974-8	LATCH	4	PC.
A09C			837639-4	INNER TRAY F/ INTERLOCKING CASE M	1	PC.
A10			-----	BATTERY CHARGER		
A11			-----	18V LI-ION BATTERY		
A12			-----	LI-ION BATTERY ACCESSORIES		
A13			126331-0	DUST NOZZLE ASSEMBLY	1	PC.
A14			193516-3	GUIDE RULE SET	1	PC.
		INC.	165217-3	GUIDE RULE - Not available individually	1	PC.
		INC.	271601-3	KNOB 20	1	PC.
		INC.	323802-0	GUIDE PIN	1	PC.
		INC.	922207-7	HEX. SOCKET HEAD BOLT M5X10	1	PC.
A15			193517-1	GUIDE RAIL ADAPTER SET	1	PC.
		INC.	265785-7	THUMB SCREW M5X10	1	PC.
		INC.	345250-3	RULE BAR - Not available individually	1	PC.
		INC.	417894-0	GUIDE RAIL ADAPTER - Not available individually	1	PC.
A16			194367-7	GUIDE RAIL 3000 SET	1	PC.
			194368-5	GUIDE RAIL 1400 SET	1	PC.
			194925-9	GUIDE RAIL 1900MM	1	PC.
			199140-0	GUIDE RAIL 1000MM	1	PC.
			199141-8	GUIDE RAIL 1500MM	1	PC.
A17			B-44410	JIGSAW BLADE 10PC/KIT	1	PC.
A18			197252-3	GUIDE RAIL ADAPTER	1	PC.
A19			193517-1	GUIDE RAIL ADAPTER	1	PC.

Item No.	Type	Sub	Part No.	Description	Qty	Unit
A22			198885-7	GUIDE RAIL CONNECTORS	1	PC
A23	2		E-05664	GUIDE RAIL BAG 1500MM	1	PC
A24	3		E-10936	GUIDE RAIL BAG 3000MM	1	PC
A25			196664-7	BEVEL GUIDE SET	1	PC
A26			194417-8	RUBBER SHEET 384" (10000MM)	1	PC
A27			194416-0	VINYL SHEET 384" (10000MM)	1	PC