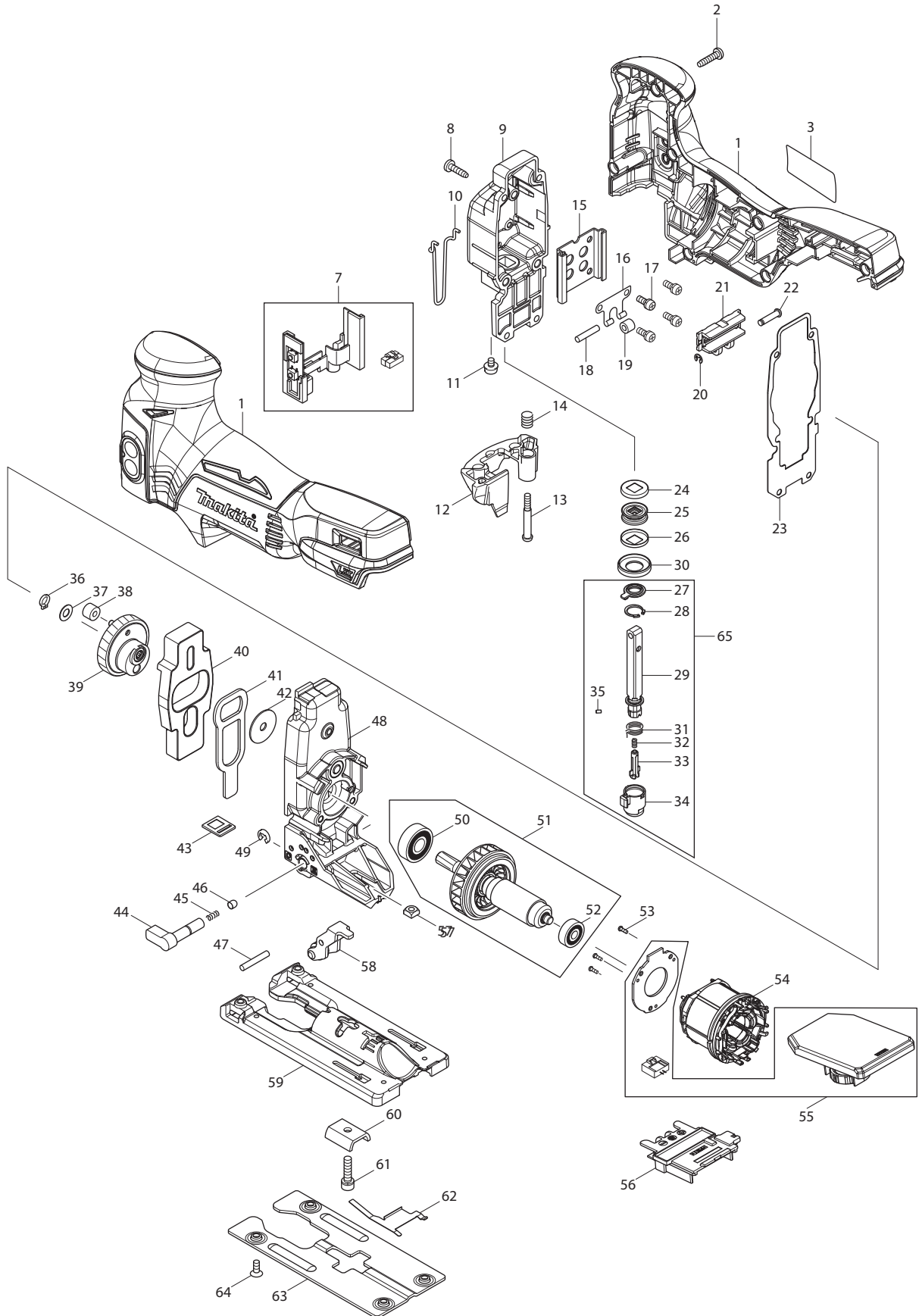




04-2014
DJV181RFE / DJV181RME / DJV181Z
18V BRUSHLESS JIG SAW



Item No.	Typ Sub	Part No.	Description	Qty	Unit
1		187703-4	HOUSING SET	1	PC.
	INC.	263005-3	RUBBER PIN 6	2	PC.
	INC.	801V48-5	SWITCH LABEL	2	PC.
	INC.	801X66-5	CAUTION LABEL	1	PC.
2		265995-6	TAPPING SCREW 4X18	7	PC.
3		814S24-2	NAME PLATE F/DJV181	1	PC.
7		632A96-5	SWITCH UNIT	1	PC.
8		266034-5	TAPPING SCREW CT 4X16	4	PC.
9		142112-4	GEAR HOUSING COVER COMPLETE	1	PC.
10		326302-9	SAFETY WIRE	1	PC.
11		911104-2	PAN HEAD SCREW M4X6	1	PC.
12		454483-0	TOOL OPENER	1	PC.
13		265026-1	+ PAN HEAD SCREW M4	1	PC.
14		231659-4	TORSION SPRING 6	1	PC.
15		346687-7	LINEAR GUIDE	1	PC.
16		232207-2	LEAF SPRING	1	PC.
17		911111-5	PAN HEAD SCREW M4X10	4	PC.
18		256117-9	PIN 4	1	PC.
19		214031-5	PLANE BEARING 4	1	PC.
20		961017-7	STOP RING E-3	1	PC.
21	1	310548-7	* SLIDER	1	PC.
	2	310837-0	* SLIDER	1	PC.
22		268090-1	PIN 4	1	PC.
23		442195-7	GASKET	1	PC.
24		267854-0	CAP WASHER 8	1	PC.
25		421815-6	DUST SEAL 8	1	PC.
26		267854-0	CAP WASHER 8	1	PC.
27		424569-4	DUST COVER	1	PC.
28		962063-3	RETAINING RING R-13	1	PC.
29		165724-6	ROD	1	PC.
30		257347-5	RING 21	1	PC.
31		233591-8	TORSION SPRING 10	1	PC.
32		233314-4	COMPRESSION SPRING 4	1	PC.
33		310485-5	LOCK PIN	1	PC.
34		310547-9	BLADE HOLDER	1	PC.
35		256528-8	PIN 2	1	PC.
36		961002-0	RETAINING RING S-6	1	PC.
37		253715-0	FLAT WASHER 6	1	PC.
38	2	212092-9	NEEDLE BEARING 407	1	PC.
39		142109-3	GEAR COMPLETE	1	PC.
40		313260-8	BALANCE PLATE	1	PC.
41		346688-5	PUSH PLATE	1	PC.
42		253196-8	FLAT WASHER 6	1	PC.
43		454484-8	SEAL PLATE	1	PC.
44	2	272280-0	LEVER 17	1	PC.
45		233139-6	COMPRESSION SPRING 3	1	PC.
46		286032-3	CAP 5	1	PC.
47		268063-4	PIN 4	1	PC.
48		142111-6	GEAR HOUSING COMPLETE	1	PC.
49		961018-5	STOP RING E-5	1	PC.
50		210059-1	BALL BEARING 6000DDW	1	PC.
51		519329-8	ROTOR ASSY	1	PC.
	INC.		Item No. 50,52		
52		210022-4	BALL BEARING 626DDW	1	PC.
53		266490-9	TAPPING SCREW PT 2X6	3	PC.
54		629996-2	STATOR	1	PC.
55		620214-1	CONTROLLER	1	PC.
56		643899-6	TERMINAL	1	PC.

Item No.	Typ Sub	Part No.	Description	Qty	Unit
57		252171-1	SQUARE NUT M5-8	1	PC.
58		142110-8	RETAINER COMPLETE	1	PC.
59		319016-7	BASE	1	PC.
60		345237-5	CRANK PLATE	1	PC.
61		922231-0	HEX. SOCKET HEAD BOLT M5X20	1	PC.
62		232208-0	LEAF SPRING	1	PC.
63		346685-1	BASE PLATE	1	PC.
64		265085-5	+ COUNTERSUNK HEAD SCREW M4X8	4	PC.
65		135602-4	ROD ASSY	1	PC.
	INC.		Item No. 27-29,31-35		
D01		654510-5	INSULATED CONNECTOR 5.5-SD	3	PC.
ACCESSORIES			- See Catalogue or visit www.makita.ca for more accessories information -		
A02		415524-7	ANTI-SPLINTERING DEVICE	1	PC.
A03		417852-6	COVER PLATE	1	PC.
A04		792724-9	JIG SAW BLADE KIT(2 EA: B-10, B-22, BRR-13)	1	SET
		792473-8	JIGSAW BLADE NO.B22 5PC/SET	1	SET
		792529-7	JIG SAW BLADE B-10 US 5PC/SET	1	SET
		792729-9	JIGSAW BLADE NO.BR13 5PC/SET	1	SET
		-----	JIG SAW BLADES		
A07		783202-0	HEX. WRENCH 4	1	PC.
A08		821593-2	PLASTIC CARRYING CASE	1	PC.
	INC.	162315-4	LATCH	2	PC.
A10		-----	BATTERY CHARGER		
A11		-----	18V LI-ION BATTERY		
A12		-----	LI-ION BATTERY ACCESSORIES		
A13		126331-0	DUST NOZZLE ASSEMBLY	1	PC.
A14		193516-3	GUIDE RULE SET	1	PC.
	INC.	165217-3	GUIDE RULE - Not available individually	1	PC.
	INC.	271601-3	KNOB 20	1	PC.
	INC.	323802-0	GUIDE PIN	1	PC.
	INC.	922207-7	HEX. SOCKET HEAD BOLT M5X10	1	PC.
A15		193517-1	GUIDE RAIL ADAPTER SET	1	PC.
	INC.	265785-7	THUMB SCREW M5X10	1	PC.
	INC.	345250-3	RULE BAR - Not available individually	1	PC.
	INC.	417894-0	GUIDE RAIL ADAPTER - Not available individually	1	PC.
A16		194367-7	GUIDE RAIL 3000MM SET	1	PC.
		194925-9	GUIDE RAIL 1900MM SET	1	PC.
		194368-5	GUIDE RAIL 1400MM SET	1	PC.
A17		B-44410	JIGSAW BLADE 10PC/KIT	1	PC.
A18		197252-3	GUIDE RAIL ADAPTER	1	PC.

SERVICE CHANGES

1. Changes on Slider

(TI#B9594)

Item No.	Description	Type 1	Type 2
21	Slider	310548-7	310837-0

