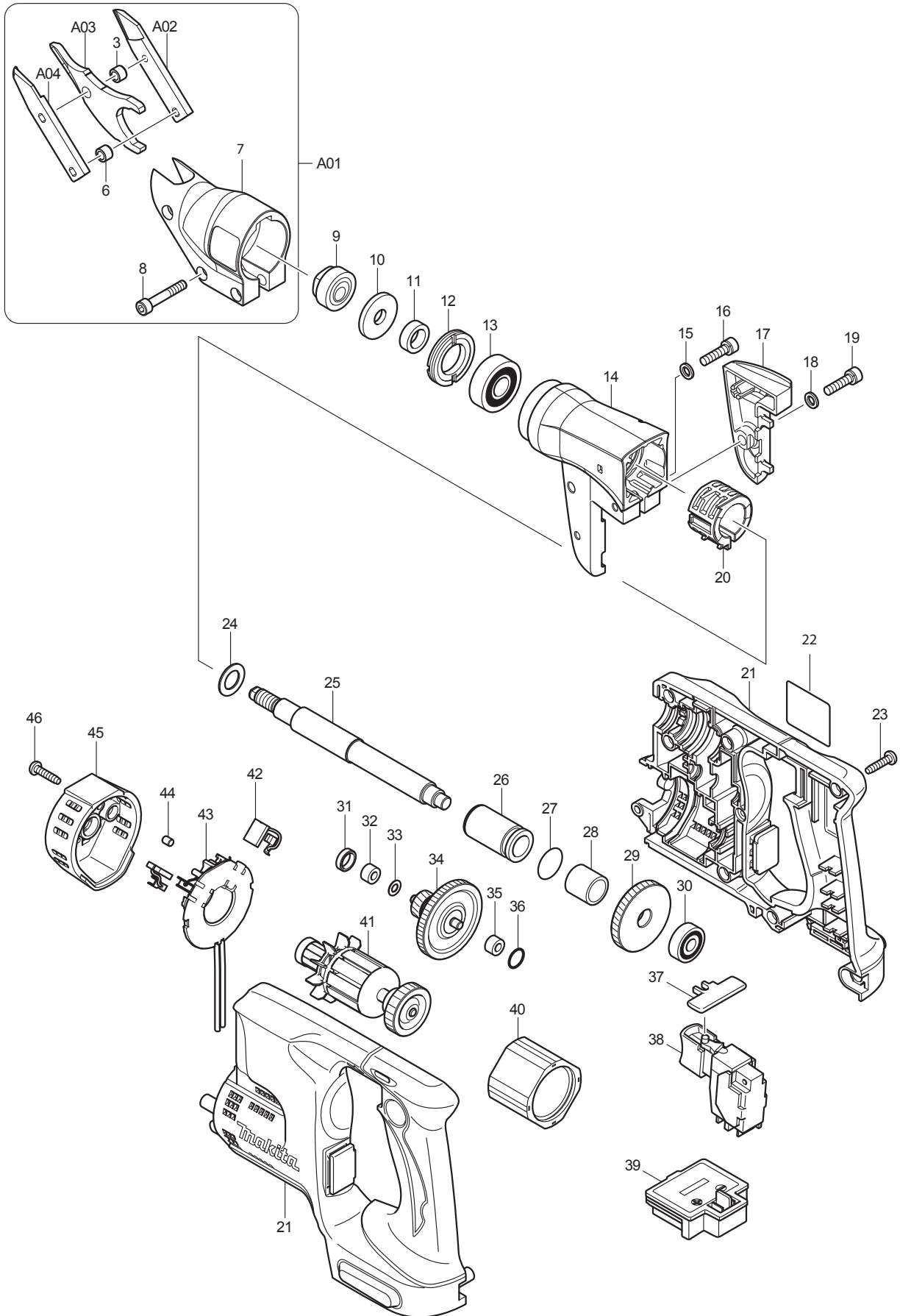




05 - 2014
DJS130F, DJS130Z
18V METAL SHEAR 18GA



Item No	Type	Ref	Re Part No	Description	Qty	Unit
3			257705-5	SLEEVE 5	1	PC.
6			257705-5	SLEEVE 5	1	PC.
7			152663-9	CUTTING HEAD COMPLETE	1	PC.
		INC.	252861-6	NUT 10-24	1	PC.
8			266268-0	HEX. SOCKET HEAD BOLT	3	PC.
9			125111-1	BEARING ASS'Y	1	PC.
10			267223-5	FLAT WASHER 10	1	PC.
11			257173-2	RING 12	1	PC.
12			285802-7	BEARING RETAINER 19-33	1	PC.
13			211129-9	BALL BEARING 6201DDW	1	PC.
14			142744-7	BARREL COMPLETE	1	PC.
		INC.	804J31-9	CAUTION LABEL	1	PC.
15			941102-2	FLAT WASHER 5	1	PC.
16			922231-0	HEX. SOCKET HEAD BOLT M5X20	1	PC.
17			450757-7	HOLDER	1	PC.
18			941102-2	FLAT WASHER 5	1	PC.
19			922231-0	HEX. SOCKET HEAD BOLT M5X20	1	PC.
20			450755-1	CLAMPER	1	PC.
21			187480-8	HOUSING SET	1	SET
22			815V90-0	NAME PLATE F/DJS130	1	PC.
23			265995-6	TAPPING SCREW 4X18	9	PC.
24			253744-3	FLAT WASHER 12	1	PC.
25			324937-0	SPINDLE	1	PC.
26			214174-3	PLANE BEARING 14	1	PC.
27			213262-3	O RING 18	1	PC.
28			257773-8	SLEEVE 14	1	PC.
29			226686-4	HELICAL GEAR 39	1	PC.
30			211034-0	BALL BEARING 608	1	PC.
31			165115-1	RUBBER SLEEVE 10	1	PC.
32			214017-9	PLANE BEARING 5	1	PC.
33			253811-4	FLAT WASHER 5	1	PC.
34			226154-7	GEAR COMPLETE 11-44	1	PC.
35			214017-9	PLANE BEARING 5	1	PC.
36			213055-8	O RING 10	1	PC.
37			450756-9	LOOK OFF LEVER	1	PC.
38			650670-1	SWITCH(TRIGGER)TG513SBA-2	1	PC.
39			643860-3	TERMINAL	1	PC.
40			638426-2	YOKE UNIT	1	PC.
41			619237-4	ARMATURE	1	PC.
42			195021-6	CARBON BRUSH CB-440 2PC/SET, W/ ORIGIN	1	SET
43			638433-5	BRUSH HOLDER COMPLETE	1	PC.
		INC.	231696-8	TORSION SPRING R	1	PC.
		INC.	231697-6	TORSION SPRING L	1	PC.
44			263032-0	RUBBER PIN 4	2	PC.
45			419307-7	FRONT COVER	1	PC.
46			265995-6	TAPPING SCREW 4X18	2	PC.
E01			620122-6	CONTROLLER	1	PC.
ACCESSORIES				- See catalogue or visit www.makita.ca for optional accessory -		
A01			125849-8	SHEAR HEAD ASS'Y W/LABEL	1	PC.
		INC.	808046-8	INDICATION LABEL	1	PC.
		INC.		Item No. A02-A04, 3, 6, 7&8		
A02			792742-7	SIDE BLADE R	1	PC.
A03			792744-3	CENTER BLADE	1	PC.
A04			792743-5	SIDE BLADE L	1	PC.
A05			281220-7	HOOK	1	PC.
A06			783202-0	HEX. WRENCH 4	1	PC.
A07			-----	18V LI-ION BATTERY		
A08			-----	LI-ION BATTERY ACCESSORIES		
A09			-----	BATTERY CHARGER		
A10			140392-6	PLASTIC CARRYING CASE COMPLETE	1	PC.
		INC.	417059-4	LATCH	2	PC.