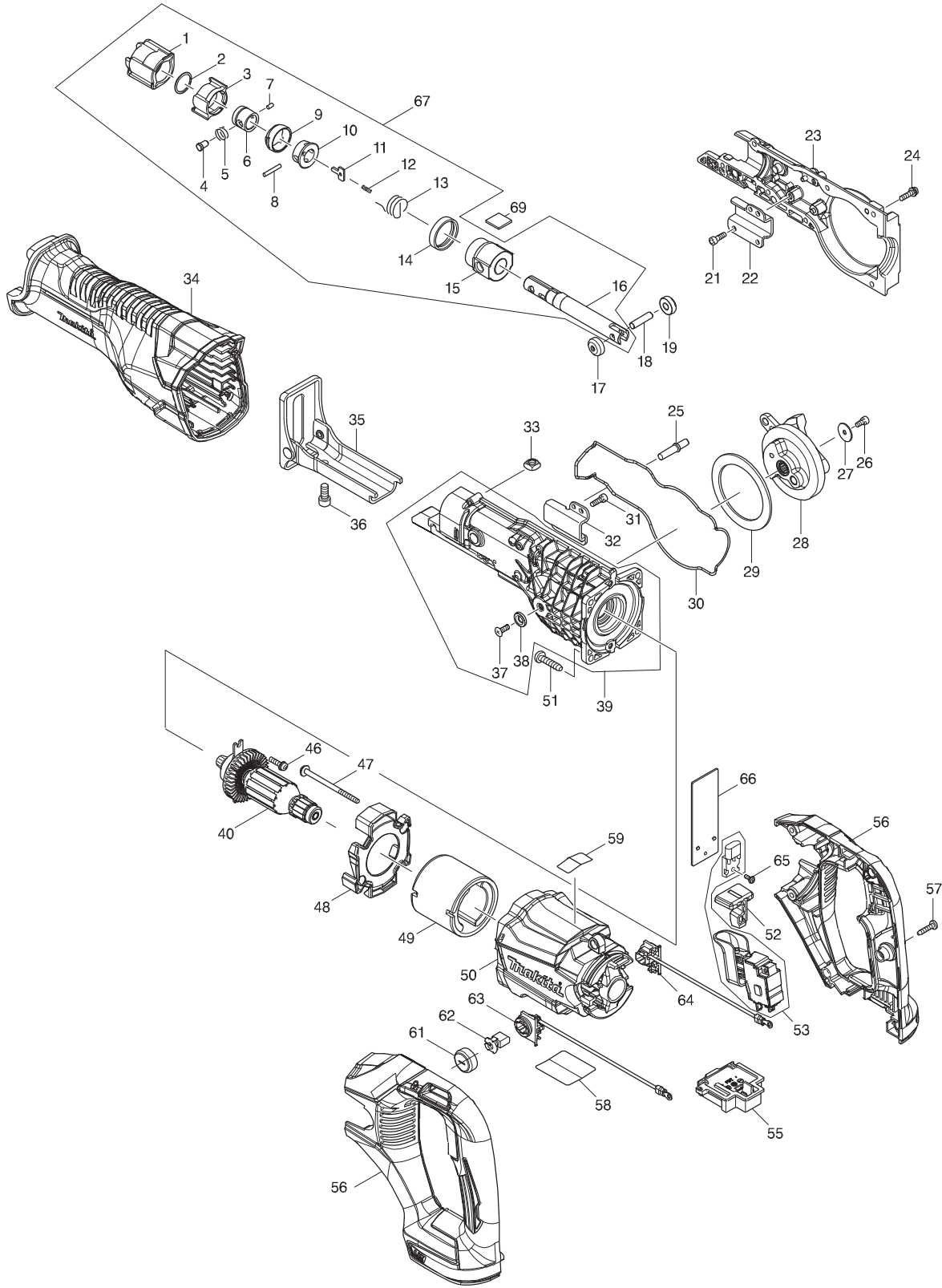




05 - 2016  
DJR186RME / DJR186Z  
18V LXT Reciprocating Saw



Item No.	Type	Sub	Part No.	Description	Qty	Unit
001			424763-8	PROTECTOR	1	PC.
002	2		257430-8	* RETAINING RING (EXT) 18	1	PC.
003			310662-9	DRIVING SLEEVE	1	PC.
004			256569-4	SHOULDER PIN 5	1	PC.
005			234381-2	COMPRESSION SPRING 6	1	PC.
006	1		331720-8	* GUIDE SLEEVE	1	PC.
	2		327043-0	* GUIDE SLEEVE	1	PC.
007			268094-3	PIN 3	1	PC.
008			256158-5	PIN 3	1	PC.
009			417791-0	DRIVING SLEEVE GUIDE	1	PC.
010			418311-3	SLEEVE	1	PC.
011			345214-7	PUSH PLATE	1	PC.
012			233025-1	COMPRESSION SPRING 2	1	PC.
013			231687-9	TORSION SPRING 17	1	PC.
014			424762-0	RUBBER RING	1	PC.
015			143365-8	SLIDER GUIDE COMPLETE	1	PC.
		INC.	213151-2	OIL SEAL 14	1	PC.
		INC.	213174-0	X RING 14	1	PC.
016			161376-1	SLIDER	1	PC.
017			310663-7	ROLLER	1	PC.
018			268341-2	PIN 6	1	PC.
019			310663-7	ROLLER	1	PC.
021	2		265353-6	HEX. SOCKET HEAD BOLT M4X12	2	PC.
022			346936-2	ROD GUIDE R	1	PC.
023			143381-0	GEAR HOUSING R COMPLETE	1	PC.
024			911128-8	PAN HEAD SCREW M4X16	7	PC.
025			256567-8	SHOULDER PIN 6-8	1	PC.
026	2		265911-8	HEX. SOCKET HEAD BOLT M4X8	1	PC.
027			267491-0	FLAT WASHER 4	1	PC.
028			143377-1	GEAR COMPLETE	1	PC.
029			267490-2	FLAT WASHER 54	1	PC.
030			424764-6	SEAL RING	1	PC.
031	2		265353-6	HEX. SOCKET HEAD BOLT M4X12	2	PC.
032			346935-4	ROD GUIDE L	1	PC.
033			252157-5	SQUARE NUT M6	1	PC.
034			424768-8	INSULATION COVER	1	PC.
035			161375-3	SHOE	1	PC.
036			265531-8	HEX.SOCKET HEAD BOLT M6X14	1	PC.
037	2		265135-6	+ COUNTERSUNK HEAD SCREW M4X10	1	PC.
038			253825-3	FLAT WASHER 6	1	PC.
039	2		126678-2	GEAR HOUSING L ASSEMBLY	1	PC.
		INC.		Item No. 37,38		
040			519392-1	ARMATURE ASS'Y 18V	1	PC.
		INC.	961055-9	RETAINING RING S-15	1	PC.
		INC.	211247-3	BALL BEARING 6002DDW	1	PC.
		INC.	227650-8	SPIRAL BEVEL GEAR 7	1	PC.
		INC.	285740-3	BEARING RETAINER 66	1	PC.
		INC.	210062-2	BALL BEARING 607ZZ	1	PC.
046			911128-8	PAN HEAD SCREW M4X16	2	PC.
047			266292-3	TAPPING SCREW 4X65	2	PC.
048			456207-0	BAFFLE PLATE	1	PC.
049			638571-3	YOKE UNIT	1	PC.
050			456206-2	MOTOR HOUSING	1	PC.
051			266041-8	TAPPING SCREW 5X25	4	PC.
052			456208-8	LOCK OFF BUTTON	1	PC.
053			650760-0	* SWITCH TG573FSB-9V	1	PC.
055	1		644808-8	* TERMINAL	1	PC.
	2		644809-6	* TERMINAL	1	PC.
056	2		183C49-4	* HANDLE SET	1	SET
		INC.	263005-3	* RUBBER PIN 6	2	PC.

Item No.	Type	Sub	Part No.	Description	Qty	Unit
057			266326-2	TAPPING SCREW 4X18	6	PC.
058			851R04-1	NAME PLATEF/DJR186	1	PC.
059			807Y38-4	CAUTION LABEL	1	PC.
061			643829-7	HOLDER CAP	2	PC.
062			195022-4	CARBON BRUSH CB-441 2PC/SET W/ORIGIN	1	SET
063			643505-3	BRUSH HOLDER	1	PC.
064			643506-1	BRUSH HOLDER	1	PC.
065			911011-9	PAN HEAD SCREW M3X10	1	PC.
066			689204-3	HEAT SINK	1	PC.
067	2		127397-3	SLIDER ASSEMBLY	1	PC.
		INC.		Item No. 1-16		
069			424858-7	FELT 16X16	1	PC.
<b><u>ACCESSORIES</u></b>				<b>- Visit <a href="http://www.makita.ca">www.makita.ca</a> for more accessories information -</b>		
A01	1		194068-7	RECIPRO SAW BLADE 2PC/KIT (F/Metal, F/Wood)	1	KT.
	2		E-10693	RECIPRO SAW BLADE 3PC/KIT	1	KT.
A02			-----	18V LI-ION BATTERY		
A03			-----	BATTERY CHARGER		
A04			141354-7	PLASTIC CARRYING CASE	1	PC.
A05			-----	LI-ION BATTERY ACCESSORIES		

**SERVICE CHANGES**

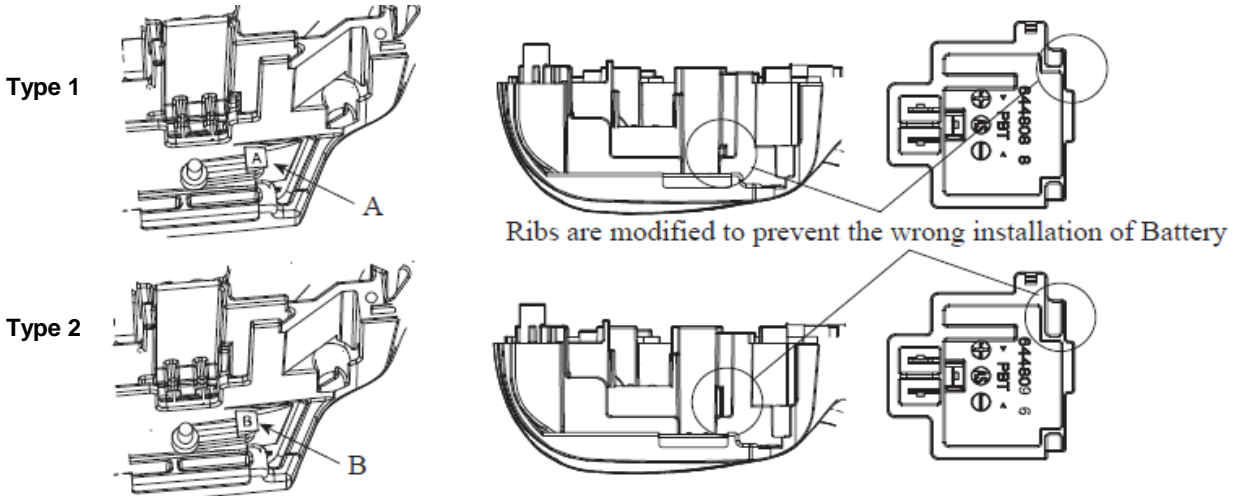
**1. Changes on Housing Set and Terminal**

(TI#B4531 )

Item No.	Description	Type 1	Type 2
55	TERMINAL	644808-8	644809-6
56	HANDLE SET	183C48-6	183C49-4
INC.	RUBBER PIN 6	263005-3	263005-3

Above parts are completely interchangeable as a set.

Implement :From serial No. 27962Y (June, 2016)



**2. Changes on Switch**

(TI#B3201)

Item No.	Description	Type 1	Type 2
53	Switch	650760-0 *See T/I# B3201 for wiring change	

**3. Changes on Housing Set and Terminal**

(TI#C8033 )

Item No.	Description	Type 1	Type 2
2	Retaining Ring	257952-8	257430-8
6	Guide Sleeve	331720-8	327043-0

Above parts are completely interchangeable as a set.