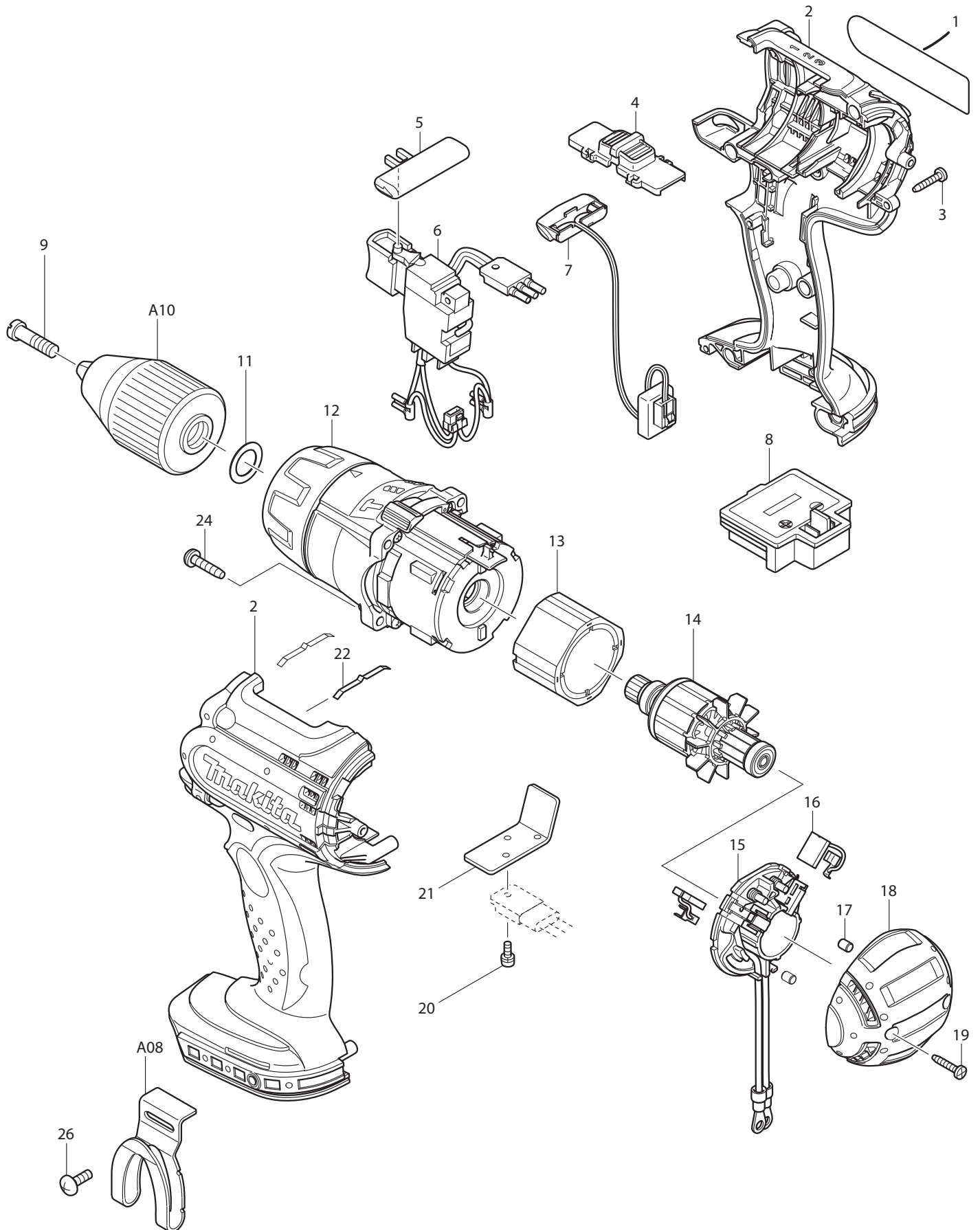




11 - 2013
DHP451RFE, DHP451Z
18V 1/2" HAMMER DRIVER DRILL



Item No	Type	Ref	Part No	Description	Qty	Unit
001			815C92-2	NAME PLATE F/DHP451	1	PC.
002	1		187142-8	HOUSING SET	1	SET
	2		183G51-1	HOUSING SET	1	SET
		INC.	263005-3	RUBBER PIN 6	2	PC.
003			266130-9	TAPPING SCREW BIND PT 3X16	8	PC.
004			125435-5	SPEED CHANGE LEVER ASS'Y	1	PC.
		INC.	233438-6	COMPRESSION SPRING 4	2	PC.
005			419250-0	F/R CHANGE LEVER	1	PC.
006			650653-1	SWITCH TG553FSB-4B	1	PC.
007			631692-0	LIGHT CIRCUIT	1	PC.
008			644808-8	TERMINAL	1	PC.
009			251468-5	- FLAT HEAD SCREW M6X22	1	PC.
011			253798-0	FLAT WASHER 13	1	PC.
012			125430-5	GEAR ASS'Y	1	PC.
		INC.	419558-2	SPEED CHANGE RING	1	PC.
		INC.	268199-9	PIN 1.4	2	PC.
		INC.	450385-8	CHANGE LEVER	1	PC.
013	2		632J71-5	YOKE UNIT	1	PC.
014			619165-3	ARMATURE	1	PC.
015			638431-9	BRUSH HOLDER COMPLETE	1	PC.
		INC.	231696-8	TORSION SPRING R	1	PC.
		INC.	231697-6	TORSION SPRING L	1	PC.
016			195021-6	CARBON BRUSH CB-440 2PC/SET W/ ORIGIN	1	SET
017			263032-0	RUBBER PIN 4	2	PC.
018			419642-3	REAR COVER	1	PC.
019			266130-9	TAPPING SCREW BIND PT 3X16	2	PC.
020	2		652066-2	PAN HEAD SCREW M3X8 W/WASHER	1	PC.
021			689145-3	HEATSINK	1	PC.
022			232220-0	LEAF SPRING	2	PC.
024			266045-0	TAPPING SCREW 4X20	4	PC.
026			251314-2	(+) SCREW M4X12(F/HOOK&BIT HOLDER)	1	PC.
100			652045-0	(+) PAN HEAD SCREW M3.5X5(F/SWITCH)	2	PC.
E01			802R05-2	CAUTION LABEL	1	PC.
ACCESSORIES			- See catalogue or visit www.makita.ca for more optional accessories -			
A01			122576-8	STOPPER POLE ASS'Y	1	PC.
		INC.	286226-0	CAP 20	1	PC.
		INC.	322223-3	DEPTH ROD	1	PC.
A02			122750-8	GRIP ASS'Y	1	PC.
	1	INC.	154835-2	GRIP36 COMPLETE	1	PC.
	2	INC.	154935-8	GRIP36 COMPLETE	1	PC.
		INC.	251812-6	SCREW M5X10	1	PC.
		INC.	266349-0	SQUARE BOLT M8X50	1	PC.
		INC.	345463-6	GRIP SPRING 60	1	PC.
		INC.	418768-8	GRIP BASE	1	PC.
		INC.	931202-6	HEX. NUT M5	1	PC.
A03			452947-8	BIT HOLDER	1	PC.
A04			-----	BATTERY CHARGER		
A05			-----	18V LI-ION BATTERY		
A06			-----	DRIVER BITS FOR DRILLS AND IMPACT DRIVERS		
A07			140354-4	PLASTIC CARRYING CASE (W /SPONGE)	1	PC.
		INC.	419216-0	HANDLE	1	PC.
		INC.	417724-5	LATCH	2	PC.
		INC.	419268-1A	PLASTIC CASE LID, TAB TYPE (HOOK TYPE - N/L/A)	1	PC.
		INC.	419269-9	PLATE	5	PC.
		INC.	324667-3	SHAFT	1	PC.
A08			-----	LI-ION BATTERY ACCESSORIES		
A10			763191-5	1/2" KEYLESS DRILL CHUCK	1	PC.
A11			346449-3	HOOK	1	PC.

SERVICE CHANGES

1. Changes on Speed Change Lever Assy and Gear Assy

Item #	Description	Type 1	Type 2
4	Speed Change Lever Assy	125316-3	125435-5
12	Gear Assy	125317-1	125430-5

Above parts are completely interchangeable as a set.

2. Changes on Switch, Terminal and Housing Set

(T/I# 91055)

(T/I# A0105)

Item #	Description	Type 1	Type 2	Type 3	Type 3
2	Housing Set		188031-0		187142-8
6	Switch		650573-9		650653-1
8	Terminal	643812-4	643838-6	643859-8	644808-8

Above parts are completely interchangeable as a set.

SERVICE NOTE:

- Use new parts for repair of the model manufactured on or after May 2011 with using Yellow lead wire between Switch and Terminal.
- Use current parts for repair of the model manufactured before May 2011 without using Yellow lead wire between Switch and Terminal.

* See *Technical Information No. 91055 for Wiring changes.*

3. Changes on Hook

(T/I# 98407)

Item #	Description	Type 2	Type 3
A11	HOOK	324705-1	346449-3

Width has been changed wide size to narrow size

