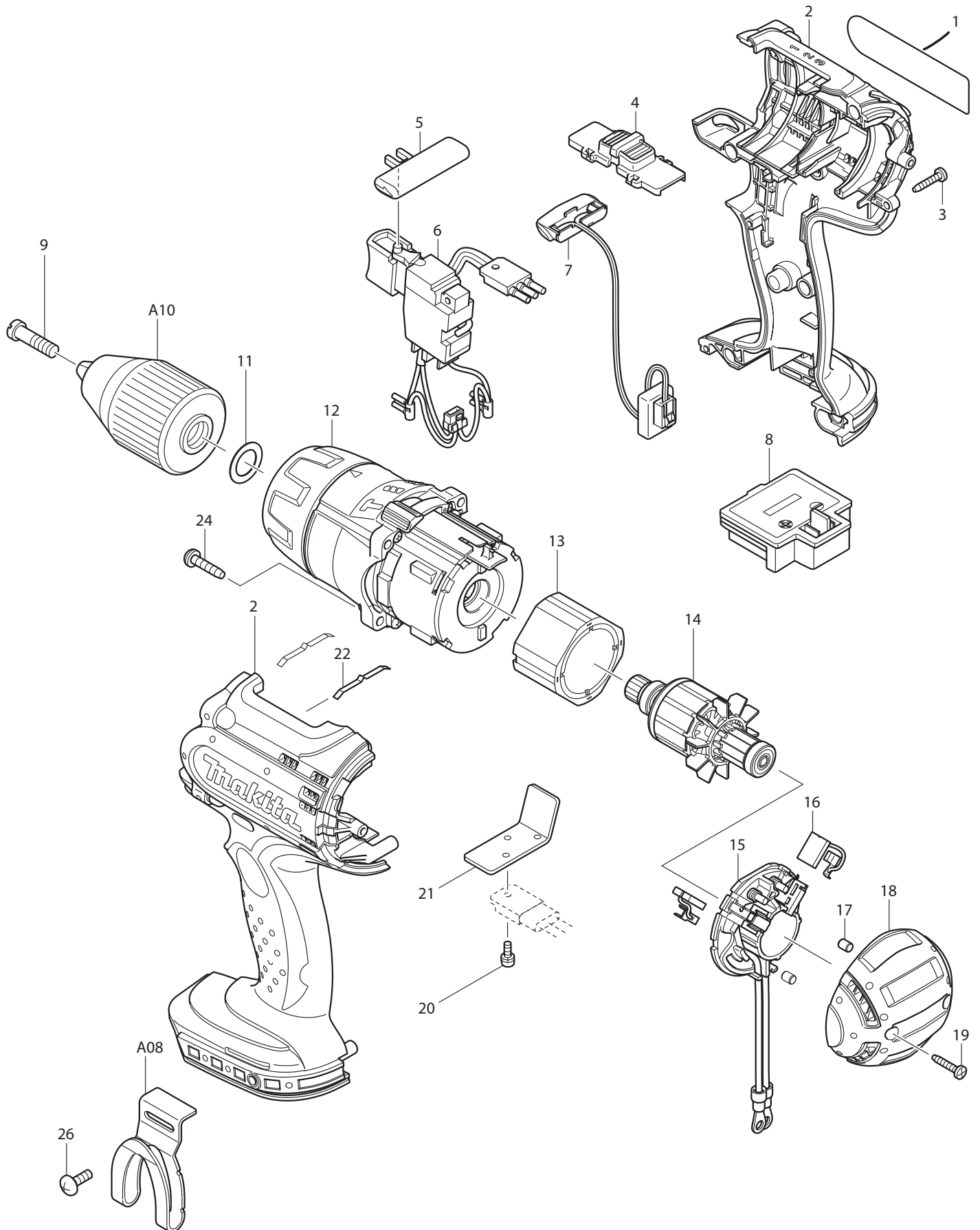




11 - 2013
DHP451RFE, DHP451Z
18V 1/2" HAMMER DRIVER DRILL



| Item No | Type | Ref | Part No | Description | Qty | Unit |
|--------------------|------|--|-----------|--|-----|------|
| 001 | | | 815C92-2 | NAME PLATE F/DHP451 | 1 | PC. |
| 002 | 1 | | 187142-8 | HOUSING SET | 1 | SET |
| | 2 | | 183G51-1 | HOUSING SET | 1 | SET |
| | | INC. | 263005-3 | RUBBER PIN 6 | 2 | PC. |
| 003 | | | 266130-9 | TAPPING SCREW BIND PT 3X16 | 8 | PC. |
| 004 | | | 125435-5 | SPEED CHANGE LEVER ASS'Y | 1 | PC. |
| | | INC. | 233438-6 | COMPRESSION SPRING 4 | 2 | PC. |
| 005 | | | 419250-0 | F/R CHANGE LEVER | 1 | PC. |
| 006 | | | 650653-1 | SWITCH TG553FSB-4B | 1 | PC. |
| 007 | | | 631692-0 | LIGHT CIRCUIT | 1 | PC. |
| 008 | | | 644808-8 | TERMINAL | 1 | PC. |
| 009 | | | 251468-5 | - FLAT HEAD SCREW M6X22 | 1 | PC. |
| 011 | | | 253798-0 | FLAT WASHER 13 | 1 | PC. |
| 012 | | | 125430-5 | GEAR ASS'Y | 1 | PC. |
| | | INC. | 419558-2 | SPEED CHANGE RING | 1 | PC. |
| | | INC. | 268199-9 | PIN 1.4 | 2 | PC. |
| | | INC. | 450385-8 | CHANGE LEVER | 1 | PC. |
| 013 | 2 | | 632J71-5 | YOKE UNIT | 1 | PC. |
| 014 | | | 619165-3 | ARMATURE | 1 | PC. |
| 015 | | | 638431-9 | BRUSH HOLDER COMPLETE | 1 | PC. |
| | | INC. | 231696-8 | TORSION SPRING R | 1 | PC. |
| | | INC. | 231697-6 | TORSION SPRING L | 1 | PC. |
| 016 | | | 195021-6 | CARBON BRUSH CB-440 2PC/SET W/ ORIGIN | 1 | SET |
| 017 | | | 263032-0 | RUBBER PIN 4 | 2 | PC. |
| 018 | | | 419642-3 | REAR COVER | 1 | PC. |
| 019 | | | 266130-9 | TAPPING SCREW BIND PT 3X16 | 2 | PC. |
| 020 | | | 911006-2 | PAN HEAD SCREW M3X8 | 1 | PC. |
| 021 | | | 689145-3 | HEATSINK | 1 | PC. |
| 022 | | | 232220-0 | LEAF SPRING | 2 | PC. |
| 024 | | | 266045-0 | TAPPING SCREW 4X20 | 4 | PC. |
| 026 | | | 251314-2 | (+) SCREW M4X12(F/HOOK&BIT HOLDER) | 1 | PC. |
| 100 | | | 652045-0 | (+) PAN HEAD SCREW M3.5X5(F/SWITCH) | 2 | PC. |
| E01 | | | 802R05-2 | CAUTION LABEL | 1 | PC. |
| ACCESSORIES | | - See catalogue or visit www.makita.ca for more optional accessories - | | | | |
| A01 | | | 122576-8 | STOPPER POLE ASS'Y | 1 | PC. |
| | | INC. | 286226-0 | CAP 20 | 1 | PC. |
| | | INC. | 322223-3 | DEPTH ROD | 1 | PC. |
| A02 | | | 122750-8 | GRIP ASS'Y | 1 | PC. |
| | | INC. | 154835-2 | GRIP36 COMPLETE | 1 | PC. |
| | | INC. | 251812-6 | SCREW M5X10 | 1 | PC. |
| | | INC. | 266349-0 | SQUARE BOLT M8X50 | 1 | PC. |
| | | INC. | 345463-6 | GRIP SPRING 60 | 1 | PC. |
| | | INC. | 418768-8 | GRIP BASE | 1 | PC. |
| | | INC. | 931202-6 | HEX. NUT M5 | 1 | PC. |
| A03 | | | 452947-8 | BIT HOLDER | 1 | PC. |
| A04 | | | ----- | BATTERY CHARGER | | |
| A05 | | | ----- | 18V LI-ION BATTERY | | |
| A06 | | | ----- | DRIVER BITS FOR DRILLS AND IMPACT DRIVERS | | |
| A07 | | | 140354-4 | PLASTIC CARRYING CASE (W /SPONGE) | 1 | PC. |
| | | INC. | 419216-0 | HANDLE | 1 | PC. |
| | | INC. | 417724-5 | LATCH | 2 | PC. |
| | | INC. | 419268-1A | PLASTIC CASE LID, TAB TYPE (HOOK TYPE - N/L/A) | 1 | PC. |
| | | INC. | 419269-9 | PLATE | 5 | PC. |
| | | INC. | 324667-3 | SHAFT | 1 | PC. |
| A08 | | | ----- | LI-ION BATTERY ACCESSORIES | | |
| A10 | | | 763191-5 | 1/2" KEYLESS DRILL CHUCK | 1 | PC. |
| A11 | | | 346449-3 | HOOK | 1 | PC. |