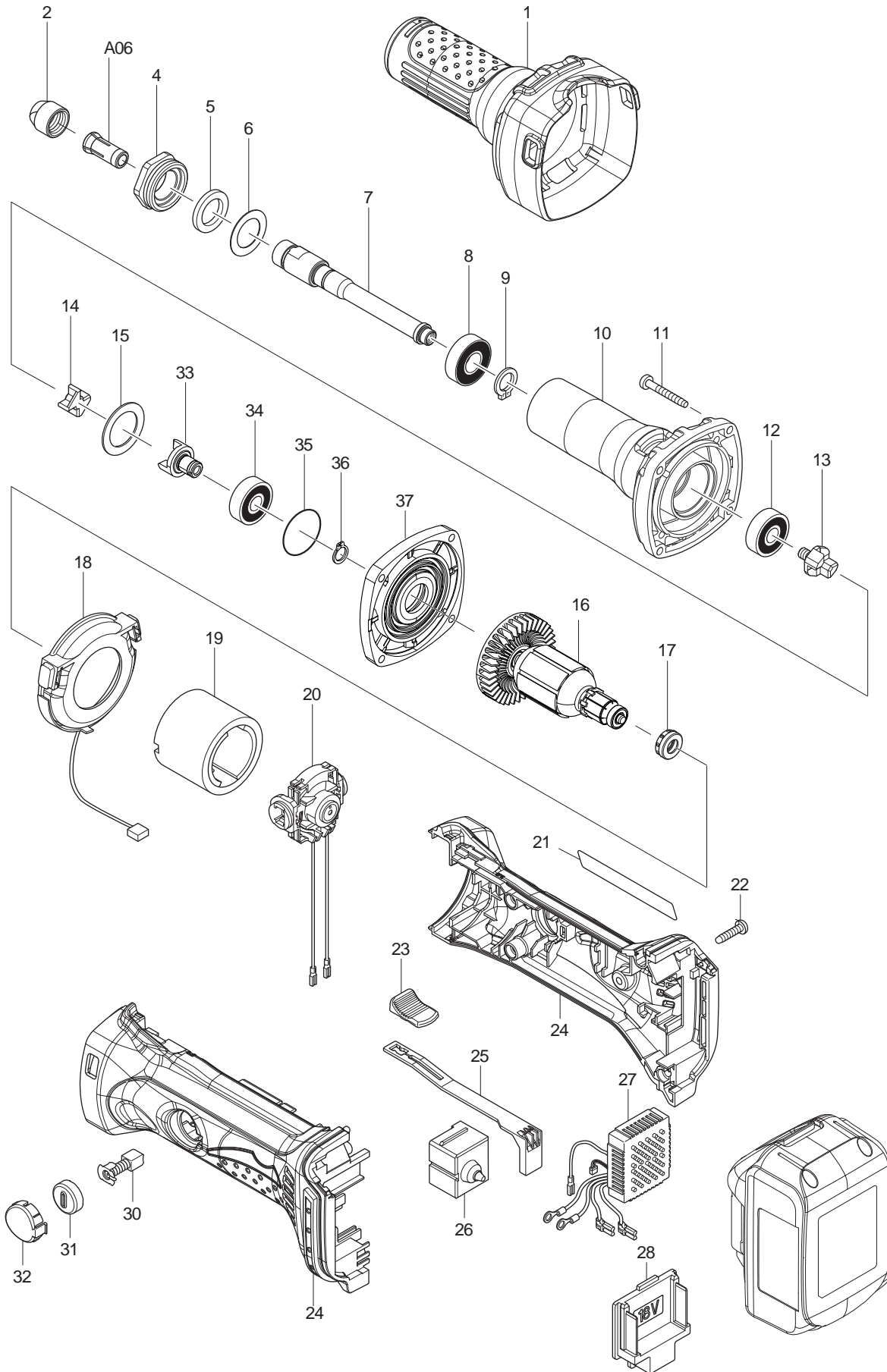




02 - 2014
DGD800F, DGD800RFE, DGD800Z
18V 1/4" DIE GRINDER



Item No	Type Sub	Part No	Description	Qty	Unit
001		424380-4	INSULATION COVER	1	PC.
002		763668-0	COLLET NUT	1	PC.
004		317999-5	BEARING RETAINER	1	PC.
005		443124-3	FELT RING 17	1	PC.
006		267329-9	FLAT WASHER 18	1	PC.
007		326010-2	SPINDLE	1	PC.
008		210106-8	BALL BEARING 6001LLB	1	PC.
009		961052-5	RETAINING RING S-12	1	PC.
010		318000-9	BARREL	1	PC.
011		266361-0	TAPPING SCREW 4X30	4	PC.
012		210042-8	BALL BEARING 629LLB	1	PC.
013		324639-8	COUPLING	1	PC.
014		421942-9	SPACER	1	PC.
015		267126-3	FLAT WASHER 22	1	PC.
016		619284-5	ARMATURE	1	PC.
	INC.		Item No. 17		
017		421977-0	RUBBER RING 13	1	PC.
018		631714-6	LED CIRCUIT	1	PC.
019		638627-2	YOKE UNIT	1	PC.
020		638448-2	ENDBELL COMPLETE	1	PC.
021		815P35-2	NAME PLATE F/DGD800	1	PC.
022		266326-2	TAPPING SCREW 4X18	5	PC.
023		419566-3	SWITCH KNOB	1	PC.
024		187839-9	HOUSING SET	1	SET
	INC.				
025		263005-3	RUBBER PIN 6	2	PC.
026		419519-2	SWITCH LEVER	1	PC.
027		650579-7	SWITCH 1246.3223	1	PC.
028		620243-4	CONTROLLER	1	PC.
029		644808-8	TERMINAL	1	PC.
030		195018-5	CARBON BRUSH CB-430 2PC/SET	1	SET
031		643929-3	BRUSH HOLDER CAP	2	PC.
032		419518-4	HOLDER CAP COVER	2	PC.
033		326009-7	COUPLING	1	PC.
034		210042-8	BALL BEARING 629LLB	1	PC.
035		213445-5	O-RING 26	1	PC.
036		961005-4	RETAINING RING S-9	1	PC.
037		317821-6	GEAR HOUSING COVER	1	PC.
100		652044-2	+BIND SCREW M3.5X5.0	2	PC.
E02		812D61-0	* CAUTION LABEL	1	PC.
E03		812D62-8	* CAUTION LABEL	1	PC.

ACCESSORIES

- See Catalogue or visit www.makita.ca for more accessories -

A01		781039-9	WRENCH 13	2	PC.
A02		-----	LI-ION BATTERY ACCESSORIES		
A03		DC18RC	RAPID CHARGER DC18RC	1	PC.
A04		-----	18V LI-ION BATTERY		
A05		141482-8	PLASTIC CASE COMPLETE	1	PC.
A05	INC.	162315-4	LATCH	2	PC.
A06		763673-7	COLLET CONE 1/4"	1	PC.
A06		763672-9	COLLET CONE 1/8"	1	PC.
A06		-----	DIE GRINDER ACCESSORIES		
A07		-----	ABRASIVE FLAP WHEELS		
A08		192985-5	SIDE HANDLE SET	1	PC.
	INC.	152521-9	GRIP 36 COMPLETE (= MKC# 153503-4)	1	PC.
	INC.	415485-1	GRIP BASE	1	PC.
	INC.	921919-9	HEX. BOLT M8X110	1	PC.

SERVICE CHANGES

1. Changes on Caution labels

(TI#B5522)

Item No.	Description	Type 1	Type 2
E01	CAUTION LABEL	803Y13-8	-----
E02	CAUTION LABEL	-----	812D61-0
E03	CAUTION LABEL	-----	812D62-8

Above parts are completely interchangeable as a set.

