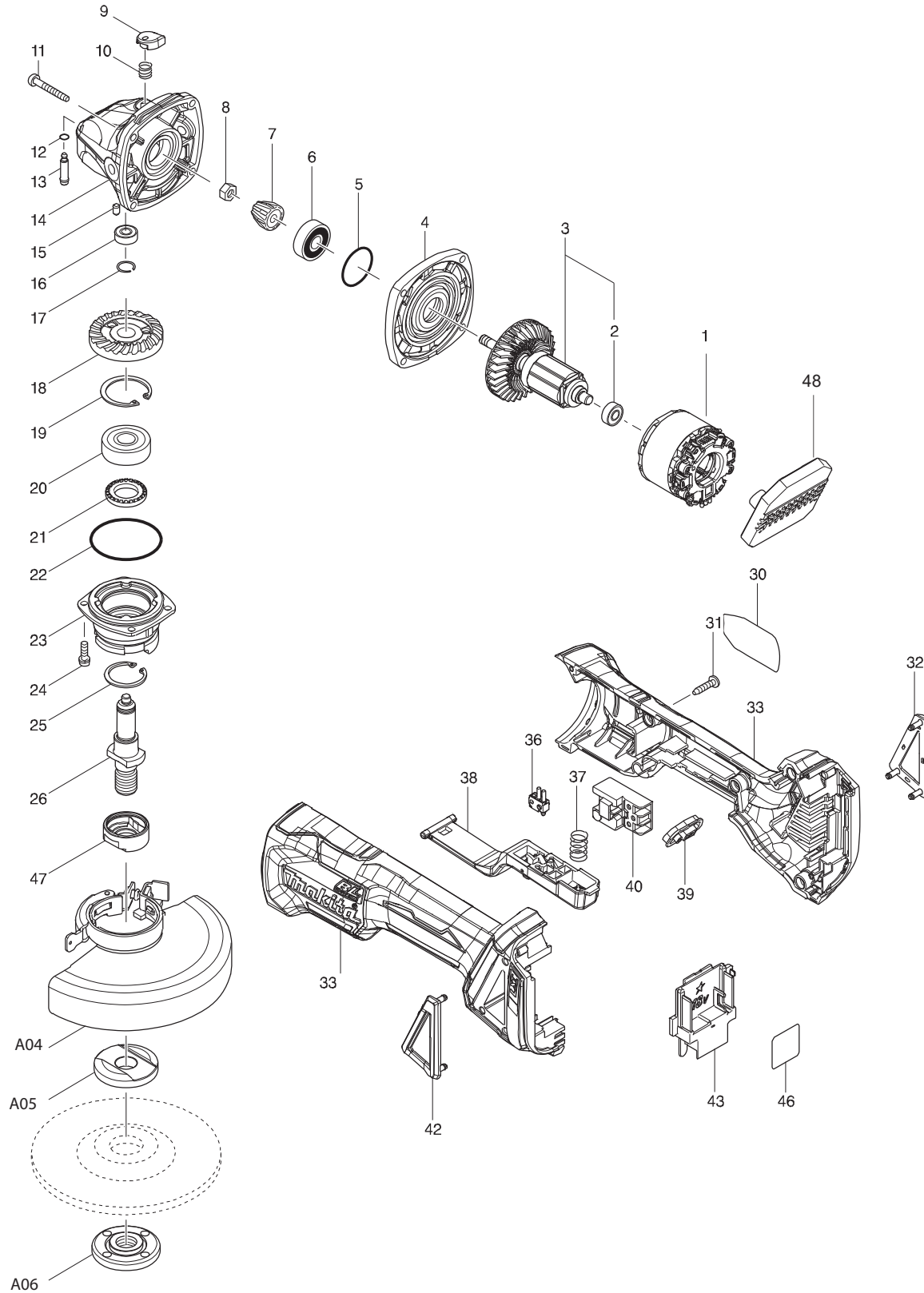




02 - 2016

DGA508

18V BL 5" Angle Grinder w/Electric Brake (Thumb Switch with Lock-On) (Tool Only)



PARTS LIST

Item No	Type	Part No	Description	Qty	Unit
001	1	629203-3	* STATOR COMPLETE	1	PC.
001	2	629B61-9	* STATOR	1	PC.
002	2	210169-4	BALL BEARING 607LLB	1	PC.
003	2	510329-1	ROTOR ASS'Y	1	PC.
003	2	INC.	Item No. 2		
004		319214-3	GEAR HOUSING COVER	1	PC.
005		213445-5	O-RING 26	1	PC.
006		210042-8	BALL BEARING 629LLB	1	PC.
007	1	227541-3	* SPIRAL BEVEL GEAR 10	1	PC.
007	2	226861-2	* SPIRAL BEVEL GEAR 10	1	PC.
008		252186-8	HEX. NUT M6	1	PC.
009		417771-6	PIN CAP	1	PC.
010		233072-2	COMPRESSION SPRING 8	1	PC.
011		266361-0	TAPPING SCREW 4X30	4	PC.
012		213960-9	O RING 5	1	PC.
013		256546-6	SHOULDER PIN 4	1	PC.
014		319213-5	GEAR HOUSING	1	PC.
015		263002-9	RUBBER PIN 4	1	PC.
016		210033-9	BALL BEARING 696ZZ	1	PC.
017		233950-6	RING SPRING 11	1	PC.
018	1	227641-9	* SPIRAL BEVEL GEAR 37	1	PC.
018	2	226862-0	* SPIRAL BEVEL GEAR 37	1	PC.
019		962151-6	RETAINING RING R-32	1	PC.
020		211129-9	BALL BEARING 6201DDW	1	PC.
021		262153-5	FELT RING 16	1	PC.
022		213622-9	O RING 45	1	PC.
023		319399-5	BEARING BOX	1	PC.
024		911121-2	PAN HEAD SCREW M4X14	4	PC.
025		962105-3	RETAINING RING R-26	1	PC.
026		326670-0	SPINDLE A	1	PC.
030		852A28-8	NAME PLATE F/DGA508	1	PC.
031		266326-2	TAPPING SCREW 4X18	5	PC.
032		455450-8	DUST COVER R	1	PC.
033	2	183J40-4	* MOTOR HOUSING SET	1	SET
033	2	INC. 263005-3	* RUBBER PIN 6	2	PC.
033	3	183J41-2	* MOTOR HOUSING SET	1	SET
033	3	INC. 263005-3	* RUBBER PIN 6	2	PC.
036		632E12-1	SWITCH UNIT	1	PC.

Item No	Type	Part No	Description	Qty	Unit
037		234357-9	COMPRESSION SPRING 11	1	PC.
038		142976-6	SWITCH LEVER COMPLETE	1	PC.
039		142901-7	INDICATOR PANEL COMPLETE	1	PC.
040		650734-1	SWITCH TG73BDS-2	1	PC.
042		455449-3	DUST COVER L	1	PC.
043	1	643899-6	* TERMINAL	1	PC.
043	2	643874-2	* TERMINAL	1	PC.
046		852A36-9	SERIAL NO. LABEL F/DGA508	1	PC.
047		310515-2	LEAD FLANGE A	1	PC.
048		620K34-9	* CONTROLLER (Added)	1	PC.
049		652119-7	* PH SCREW M2X6 (Added)	6	PC.
A01		D-20797	5" D.C.W. A24R	1	PC.
A01	Opt.	-----	DEPRESSED CENTER GRINDING WHEELS		
A02		158237-4	GRIP 36 COMPLETE (RUBBER GRIP)	1	PC.
A02	Opt.	194514-0	VIBRATION PROOF GRIP F/4" - 6", PKG	1	PC.
A03		782424-9	LOCK NUT WRENCH 28	1	PC.
A04		123145-8	5" TOOLLESS WHEEL COVER ASSY (D.C.W)	1	PC.
A04	INC.	265180-1	PAN HEAD SCREW M5X16	1	PC.
A05		224448-4	INNER FLANGE 45B	1	PC.
A06		224568-4	LOCK NUT 5/8-45	1	PC.
A07		196845-3	TUCKPOINTING DUST GUARD ATTACHMENT F/5"	1	PC.
A08		193048-0	SANDING LOCK NUT 5/8-48,PKGED	1	PC.
A09		743015-1	RUBBER PAD F/5" GRINDER	1	PC.
A10		122911-0	CUT-OFF WHEEL GUARD F/5"	1	PC.
A11		224399-1	INNER FLANGE F/C.O.W WHEEL COVER	1	PC.
A12		224568-4	LOCK NUT F/C.O.W WHEEL COVER	1	PC.
A13		-----	18V LI-ION BATTERY		
A14		-----	BATTERY CHARGER		
A15		-----	LI-ION BATTERY ACCESSORIES		
A16		821010-X	TOOL BAG	1	PC.
A17		B-46165-25	5" THIN KERF C.O.W 25PC/SET	1	SET
C01		877107-5	CARTON F/DGA508Z	1	PC.
E01		805C41-7	CAUTION LABEL	1	PC.

SERVICE CHANGES: DGA508

1. Changes on Spiral bevel gear 10 and Spiral bevel gear 37

(T/I# C3594)

Item No.	Description	Type 1	Type 2
7	Spiral bevel gear 10	227541-3	226861-2
18	Spiral bevel gear 17	227641-9	226862-0

Above parts are interchangeable as a set.

2. Changes on Stator and Controller

(T/I#DE703)

Item No.	Description	Type 1	Type 2
1	STATOR	629203-3	629B61-9
48	CONTROLLER	-----	620K34-9
49	PAN HEAD SCREW M2X6	-----	652119-7

Above parts are completely interchangeable as a set.

See T/I#DE703 for repair and wiring

3. Changes on Terminal and Motor Housing

(T/I#DW499)

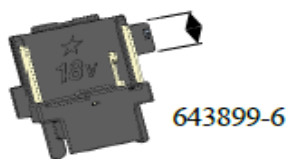
Item No.	Description	Type 1	Type 2
43	TERMINAL	643899-6	643874-2
33	MOTOR HOUSING SET	183J40-4	183J41-2

Above parts are completely interchangeable as a set.

<Current>

<New>

[1]: Terminal



[2][4][5]: Right side of Motor housing set

