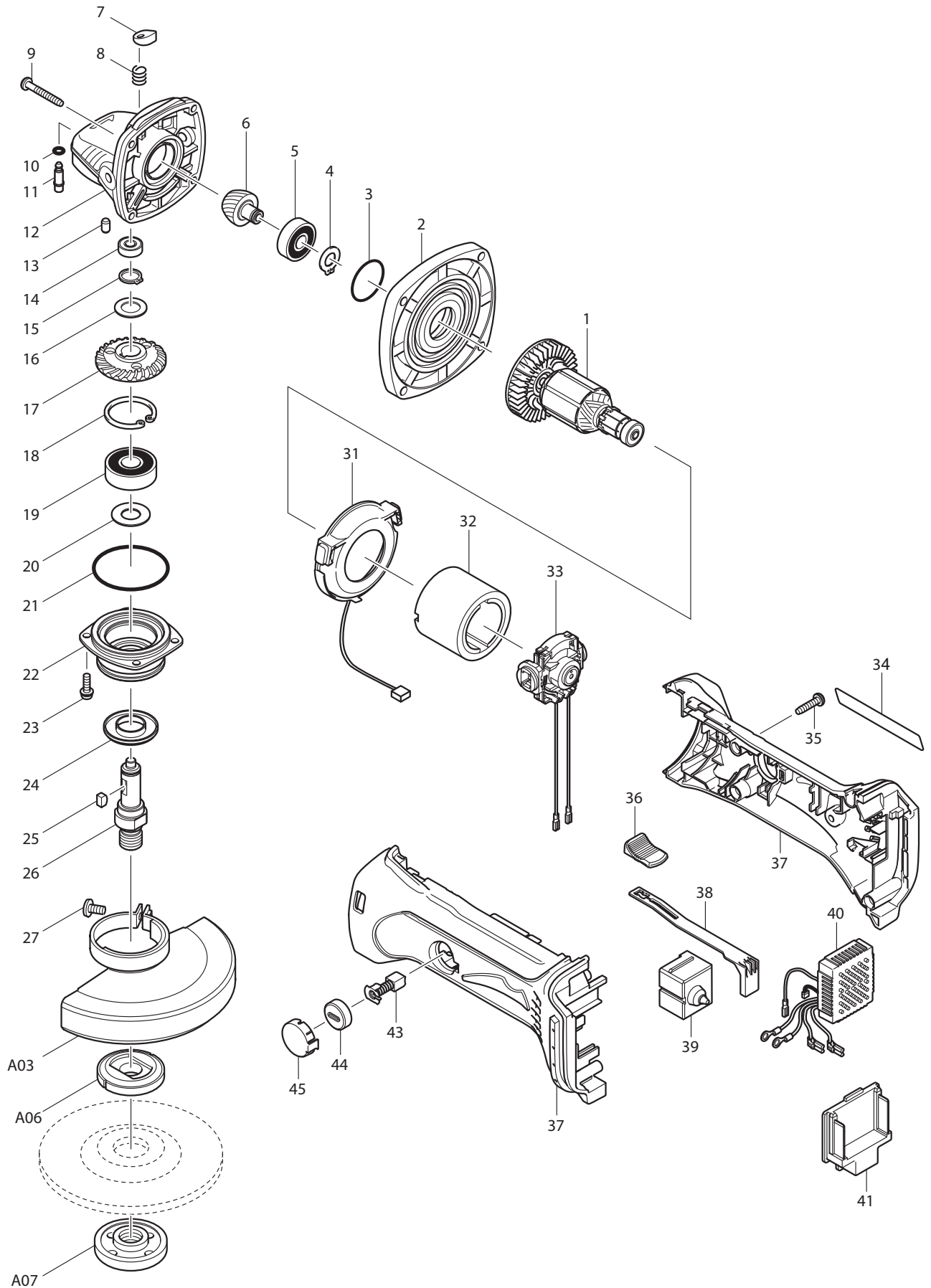




12 - 2013
DGA452F / DGA452RFE / DGA452Z
18V 4-1/2" GRINDER



Item No	Type	Ref	Part No	Description	Qty	Unit
1			619218-8	ARMATURE	1	PC.
		INC.	421977-0	RUBBER RING 13	1	PC.
		INC.	210039-7	BALL BEARING 695DDW	1	PC.
2			317821-6	GEAR HOUSING COVER	1	PC.
3			213445-5	O-RING 26	1	PC.
4			961005-4	RETAINING RING S-9	1	PC.
5			210042-8	BALL BEARING 629LLB	1	PC.
6			227501-5	SPIRAL BEVEL GEAR 19	1	PC.
7			417771-6	PIN CAP	1	PC.
8			233072-2	COMPRESSION SPRING 8	1	PC.
9			266361-0	TAPPING SCREW 4X30	4	PC.
10			213960-9	O RING 5	1	PC.
11			256496-5	SHOULDER PIN 4	1	PC.
12			318051-2	GEAR HOUSING	1	PC.
13			263002-9	RUBBER PIN 4	1	PC.
14			210033-9	BALL BEARING 696ZZ	1	PC.
15			961052-5	RETAINING RING S-12	1	PC.
16			253744-3	FLAT WASHER 12	1	PC.
17			227502-3	SPIRAL BEVEL GEAR 39	1	PC.
18			962151-6	RETAINING RING R-32	1	PC.
19			211129-9	BALL BEARING 6201DDW	1	PC.
20			267238-2	FLAT WASHER 12	1	PC.
21			213622-9	O RING 45	1	PC.
22			317819-3	BEARING BOX	1	PC.
23			911121-2	PAN HEAD SCREW M4X14	4	PC.
24			345464-4	LABYRINTH RING	1	PC.
25			254011-9	WOODRUFF KEY 4	1	PC.
26			324474-4	SPINDLE	1	PC.
27	1		265103-9	* PAN HEAD SCREW M5X14	1	PC.
	2		251391-4	* PAN HEAD SCREW M5X16	1	PC.
31			631714-6	LED CIRCUIT	1	PC.
32			638627-2	YOKE UNIT	1	PC.
33			638448-2	ENDBELL COMPLETE	1	PC.
34			815H70-2	NAME PLATE F/DGA452	1	PC.
35			266326-2	TAPPING SCREW 4X18	5	PC.
36			419566-3	SWITCH KNOB	1	PC.
37			187839-9	HOUSING SET	1	SET
		INC.	263005-3	RUBBER PIN 6	2	PC.
38			419519-2	SWITCH LEVER	1	PC.
39			650579-7	SWITCH 1246.3223	1	PC.
40			620243-4	CONTROLLER	1	PC.
41			644808-8	TERMINAL	1	PC.
43			195018-5	CARBON BRUSH CB-430, 2PCS/SET	1	SET
44			643954-4	BRUSH HOLDER CAP	2	PC.
45			419518-4	HOLDER CAP COVER	2	PC.
E01			803C96-6	CAUTION LABEL	1	PC.
D01			652045-0	(+) PAN HEAD SCREW M3.5X5(F/SWITCH)	2	PC.

Item No	Type	Ref	Part No	Description	Qty	Unit
<u>ACCESSORIES</u>				- See catalogue or visit www.makita.ca for optional accessory -		
A01			158237-4	GRIP 36 COMPLETE	1	PC.
	Opt.		194514-0	VIBRATION PROOF GRIP F/4" - 6", PKG	1	PC.
A02			782424-9	LOCK NUT WRENCH 28	1	PC.
A03	1		125267-0	* WHEEL COVER ASS'Y(F/D.C.W.)	1	PC.
		INC.		* Item No. 27		
	2		125886-2	* WHEEL COVER 115A ASS'Y (D.C.W)	1	PC.
		INC.		* Item No. 27		
			135103-2	CUT-OFF WHEEL COVER ASS'Y F/4-1/2"	1	PC.
		INC.	265103-9	PAN HEAD SCREW M5X14	1	PC.
A04			-----	THIN KERF ABRASIVE CUT OFF WHEELS		
	Opt.		B-46159-25	4-1/2" TKCOW T1 25/PK M=1X	1	PC.
A05			D-20781	4 1/2" DEPRESSED CENTER WHEEL A24R	1	PC.
			-----	DEPRESSED CENTER GRINDING WHEELS		
A06			224399-1	INNER FLANGE 45	1	PC.
A07			224568-4	LOCK NUT 5/8-45	1	PC.
A08			-----	BATTERY CHARGER		
A09			-----	18V LI-ION BATTERY		
A10			-----	LI-ION BATTERY ACCESSORIES		
A11			141257-5	PLASTIC CARRYING CASE	1	PC.
		INC.	163455-1	LATCH	2	PC.
A12			743036-3	RUBBER PAD F/4-1/2" GRINDER	1	PC.
A14			193048-0	SANDING LOCK NUT 5/8-48	1	PC.
A15			-----	2 IN 1 GRINDING & CUTTING ABRASIVE DISCS		
A16			-----	ZIRCONIUM MULTI-DISCS		
A17			-----	STRIP DISCS		
A18			-----	KNOT STYLE WIRE CUP BRUSHES		
A19			-----	WIRE BEVEL WHEEL BRUSHES		
A20			-----	CRIMPED STYLE WIRE CUP BRUSHES		
A21			-----	FLEX WHEELS		
A22			-----	RESIN FIBRE SANDING DISCS		
A23			-----	CUT-OFF WHEELS		
A24			-----	FLEXIBLE DEPRESSED CENTRE GRINDING WHEELS		

SERVICE CHANGES

1. Changes on Wheel Cover Assembly

(TI#A4621)

Item No.	Type 1		Type 2	
	Description	Part no.	Description	Part no.
27	Pan Head Screw M5X14	265103-9	Pan Head Screw M5X16	251391-4
A03	Wheel Cover Ass'Y	125267-0	Wheel Cover 115A Ass'Y	125886-2

