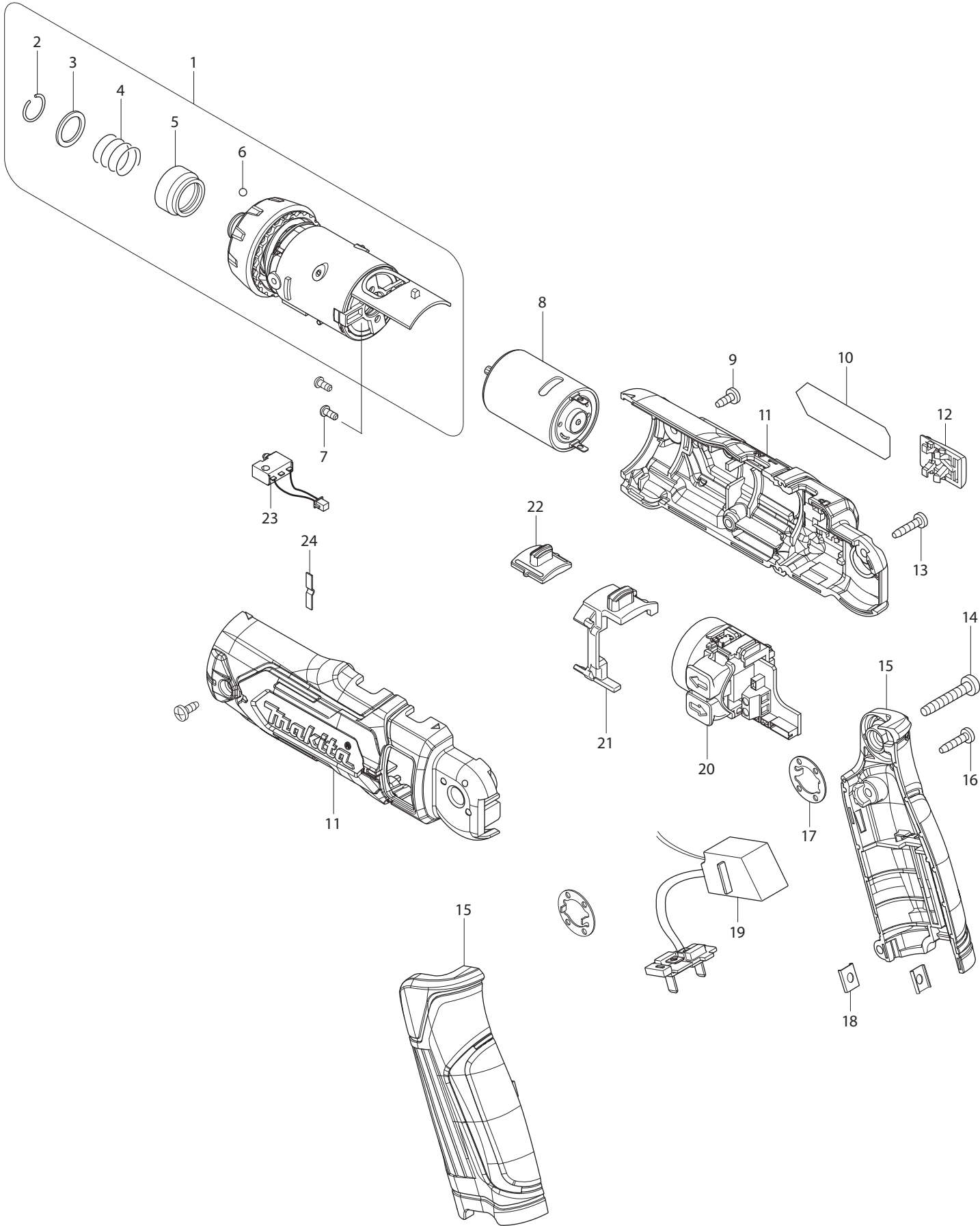




02 - 2017
DF012DSE
7.2V 1/4" Hex Driver Drill



Item Type	Part No	Description	Qty	Unit	
1	123914-7	GEAR ASSY	1	PC.	
	INC.	INC. 2-6			
2	231965-7	RING SPRING 10	1	PC.	
3	267143-3	FLAT WASHER 11	1	PC.	
4	233005-7	COMPRESSION SPRING 13	1	PC.	
5	324711-6	BIT SLEEVE	1	PC.	
6	216019-1	STEEL BALL 3	2	PC.	
7	265172-0	+PAN HEAD SCREW M2.6X6	2	PC.	
8	629264-3	DC MOTOR	1	PC.	
9	265954-0	TAPPING SCREW BIND PT M3X8	2	PC.	
10	853C22-5	NAME PLATE F/DF012D	1	PC.	
11	183F98-9	MOTOR HOUSING SET	1	SET	
12	450590-7	SLIDE PLATE	1	PC.	
13	266404-8	TAPPING SCREW BIND M3X14	3	PC.	
14	266374-1	TAPPING SCREW M4X25	1	PC.	
15	183G00-8	HANDLE SET	1	SET	
16	266404-8	TAPPING SCREW BIND 3X14	2	PC.	
17	267803-7	LOCK WASHER	2	PC.	
18	345749-8	SET PLATE	2	PC.	
19	631811-8	CONTROLLER	1	PC.	
20	638605-2	SWITCH UNIT	1	PC.	
21	450553-3	CHANGE LEVER	1	PC.	
22	125465-6	SPEED CHANGE LEVER ASSEMBLY	1	PC.	
	INC.	233018-8	COMPRESSION SPRING 3	2	PC.
23	638609-4	SWITCH UNIT	1	PC.	
24	232369-6	LEAF SPRING	1	PC.	
E01	812J91-7	CAUTION LABEL	1	PC.	

ACCESSORIES - See Catalogue or visit www.makita.ca for more accessories -

A01	DC10WB	CHARGER DC10WB	1	PC.	
A02	-----	7.2V LI-ION BATTERY	2	PC.	
A03	784244-7	+ DOUBLE END BIT #2-50 BULK	1	PC.	
A04	784245-5	+ DOUBLE END BIT #1-50 BULK	1	PC.	
A05	824781-0	PLASTIC CASE F/Storing small Accessory(ies)	1	PC.	
A06	158775-6	PLASTIC CARRYING CASE COMPLETE	1	PC.	
	INC.	417724-5	LATCH	2	PC.
	INC.	324679-6	SHAFT	1	PC.
	-----	INTERLOCKING TOOL CASES			
A07	-----	IMPACT GOLD			
A08	-----	TORSION SCREWDRIVER BITS			
A09	-----	MAGNETIC BIT HOLDERS			
A10	-----	MAGNETIC NUTSETTERS			
A11	-----	SCREW GUIDES			
A12	-----	ULTRALOK DRILL BITS			
A13	-----	ULTRALOK WOODBORING SPADE BITS			
A14	-----	FINDER-DRIVERS			
A15	-----	WORK GLOVES			
A16	T-03040	41 PC DRIVER & DRILL BIT KIT			
	T-03062	59 PC DRIVER BIT KIT			