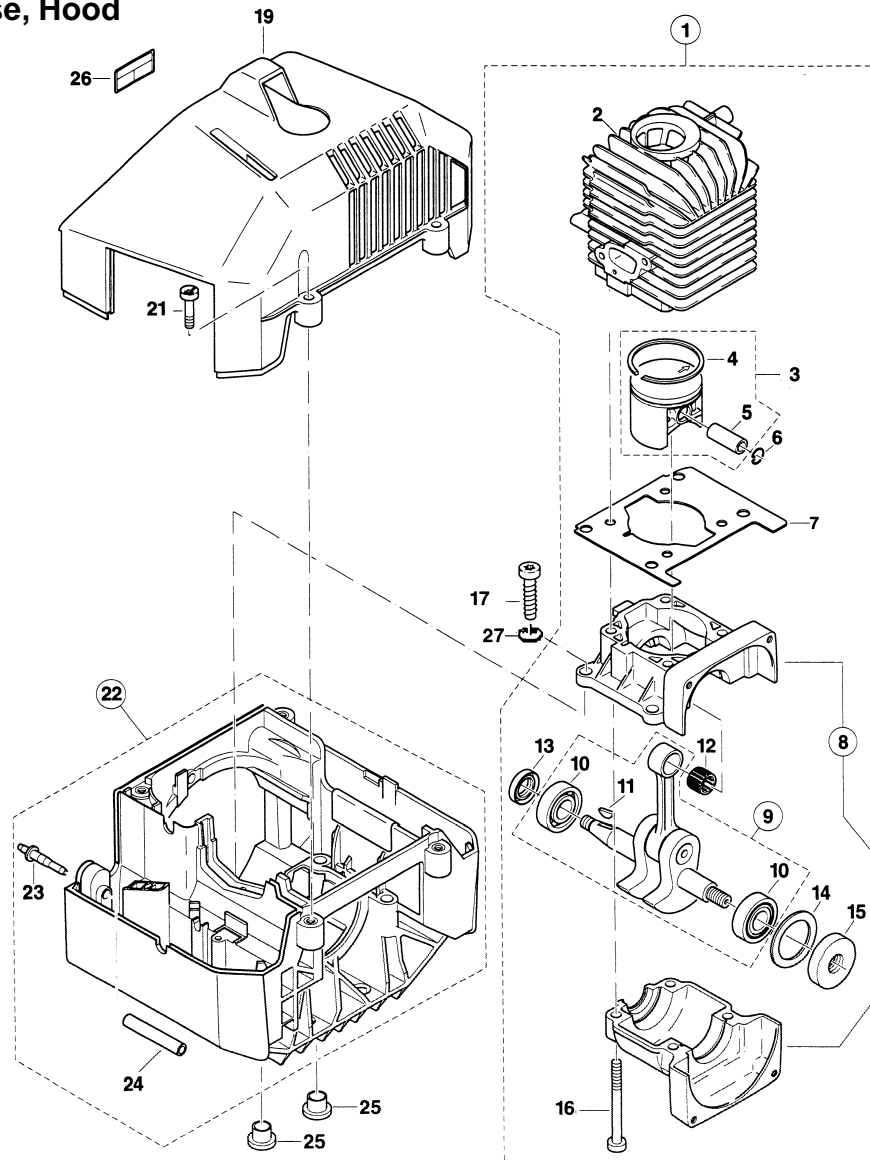


45cc BRUSH CUTTER

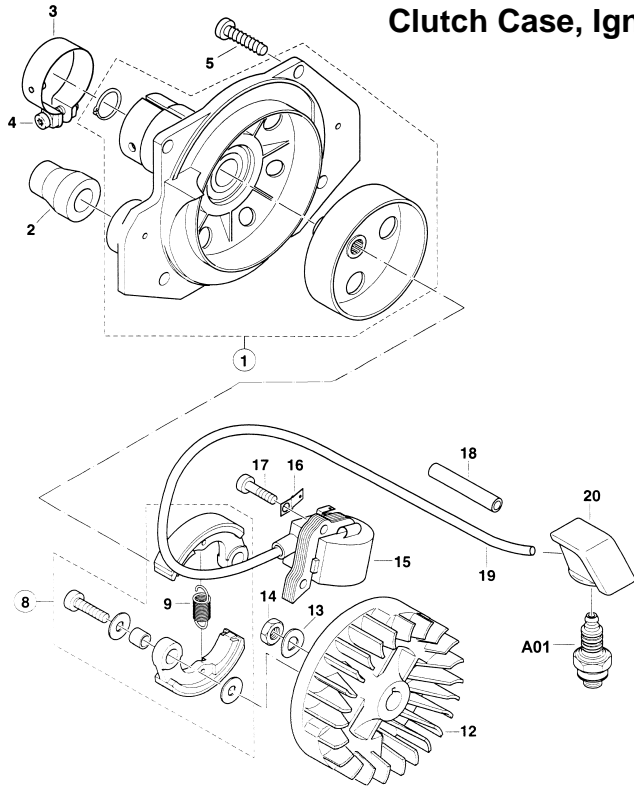
Model DBC4510

Cylinder, Crankcase, Hood



Item	Part	No.	No.	No.	Used Description
1	386 100 100	1	15	962 900 024	1 Radial Ring 12x32x7 (Type 1)
2	386 131 010	1		962 900 060	1 Radial Seal [Replaces Items 14 & 15 (Type 1)]
3	957 132 386	1			
4	386 132 010	1			
5	385 132 030	1			
6	385 132 040	2			
7	965 527 010	1			
8	385 111 100	1	16	908 505 555	4 Screw M5x55
9	385 120 100	1	17	913 467 304	4 Screw 6.7x30
10	960 102 129	2	19	385 118 011	1 Hood
11	939 620 371	1	21	908 605 205	4 Screw M5x10x20
12	962 211 033	1	22	386 110 011	1 Motor Housing
13	962 900 057	1	23	001 131 020	1 Nipple
14	900 006 217	1	24	965 452 060	1 Tube 150mm (Sold by Meter)
			25	965 404 240	2 Plug
			27	928 014 000	4 Cup Spring (Added)
Special parts for USA					
			26	980 114 201	1 Label

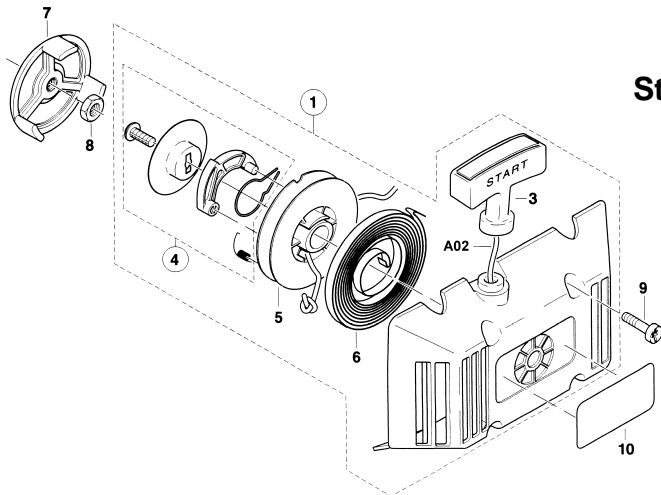
Clutch Case, Ignition Coil, Flywheel



Item	Part	No.	
1	385 217 000	1	Clutch Case Assy
2	965 403 380	2	Ring Buffer
3	965 903 062	1	Clamping Ring
4	908 006 255	1	Screw M6x25
5	913 467 254	4	Screw 6,7x25
8	010 181 000	1	Clutch Shoe, Set
9	385 184 020	1	Spring
12	385 141 012	1	Flywheel (Old 385 141 011)
13	928 308 001	1	Spring Washer
14	920 308 024	1	Hexagonal Nut M8x1
15	385 143 031	1	Ignition Coil (Old 385 143 030)
16	965 605 411	1	Plug
17	908 605 205	2	Screw M5x10x20
18	970 502 110	1	Insulating Hose 100mm (Sold by Meter)
19	970 310 200	1	Ignition Cable 160mm (Sold by Meter)
20	385 147 100	1	Plug Cap Includes Spring

Accessories

A01	965 603 014	1	Spark Plug
-----	-------------	---	------------



Starter

No.	No.	Used	Description
1	385 160 103	1	Starter Assy (Old 385 160 102)
3	957 404 691	1	Starter Grip
4	957 160 385	1	Starter Repair Set
5	385 162 020	1	Cable Drum
6	385 163 100	1	Rewind Spring
7	385 166 040	1	Starter Wheel
8	920 308 024	1	Hexagonal Nut M8x1
9	908 605 205	4	Screw M5x10x20
10	980 114 147	1	Makita Label

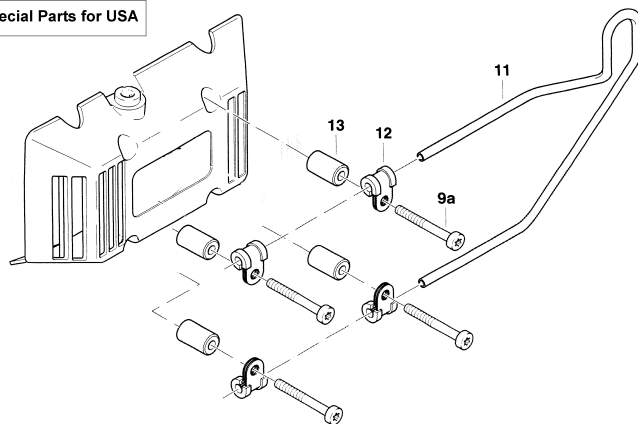
Special Parts for USA

9a	908 305 405	1	Screw M5x20x40
11	385 174 020	1	Muffler Guard
12	965 551 280	4	Clamping Sleeve
13	385 174 030	4	Spacer

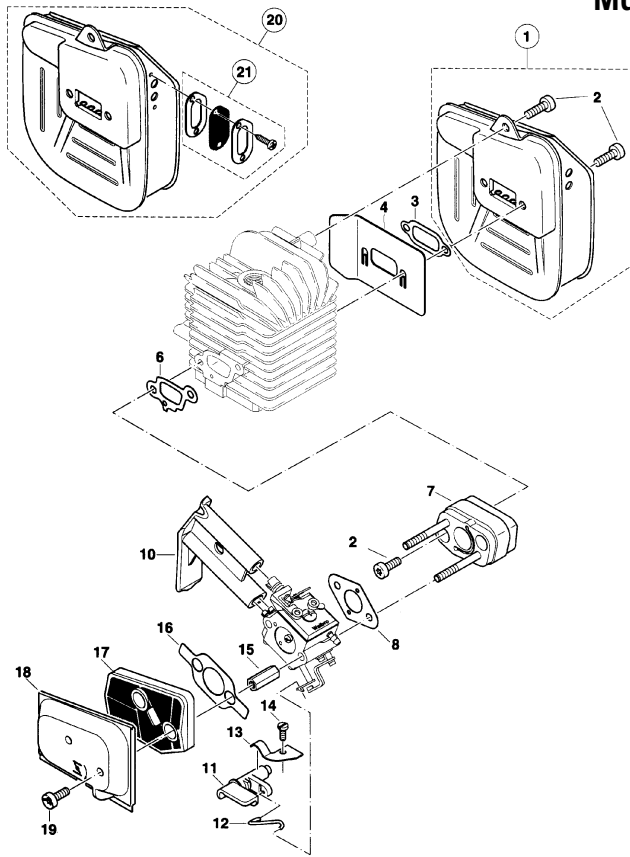
Accessories

A02	387 164 010	1	Starter Rope ϕ 3.0x1.3M
	SD 4100 4.0	1	Starter Rope 1/8" x 250'

Special Parts for USA

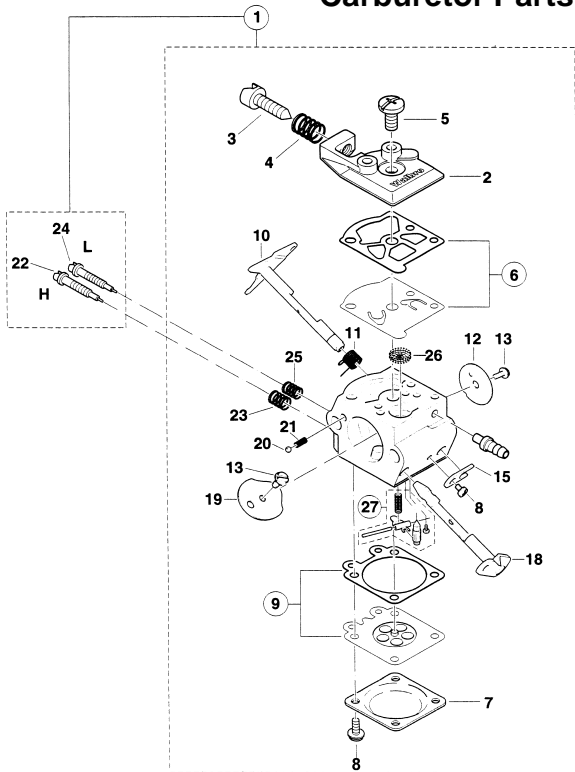


Muffler, Air Filter



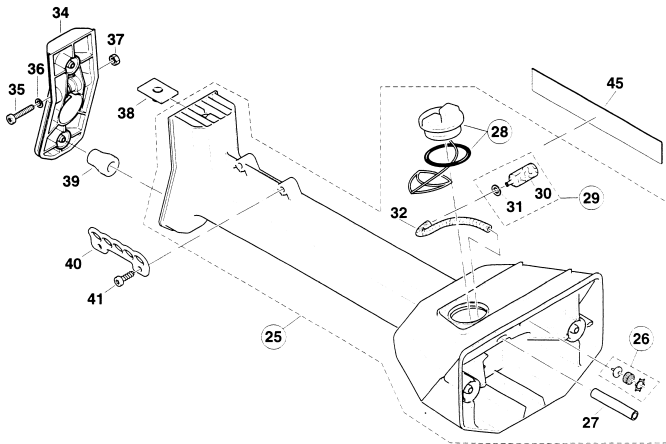
Item	Part	No.	
1	957 174 385	1	Muffler
2	908 405 145	5	Screw M5x14
3	965 527 040	1	Gasket
4	385 174 011	1	Cooling Plate
6	965 527 030	1	Gasket
7	385 131 071	1	Intermediate Flange CPL
8	965 527 020	1	Gasket
10	385 154 010	1	Adjusting Guide
11	028 150 740	1	Choke Lever
12	385 150 030	1	Choke Linkage
13	385 150 020	1	Spring Shackle
14	915 135 130	1	Screw 3,5x13
15	001 173 060	2	Nut
16	965 527 060	1	Gasket
17	385 173 100	1	Air Filter
18	385 118 060	1	Cover
19	908 605 145	2	Screw M5x7x14
Special Parts for USA, Canada, Australia & New Zealand			
20	385 174 301	1	Muffler Assy
21	385 174 080	1	Spark Arrester Screen CPL

Carburetor Parts (WALBRO WT-225A)



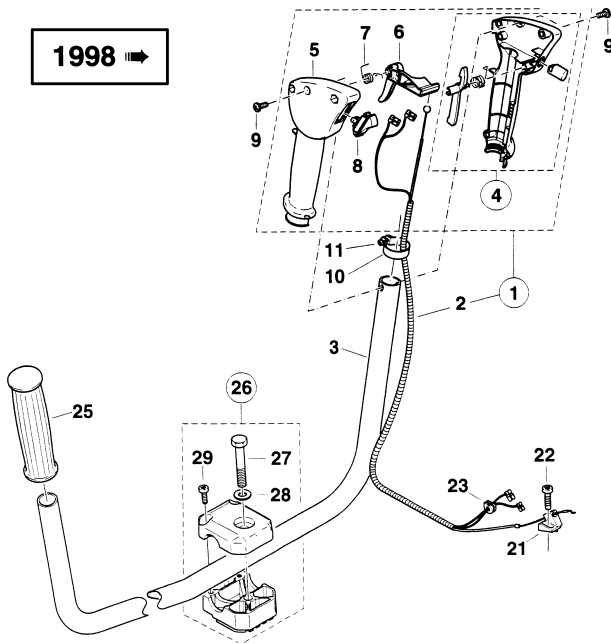
No.	No.	Used	Description
1	385 151 001	1	Carbutetor CPL WT-225A
2	021 151 160	1	Pump Cover
3	001 151 400	1	Idle Stop Screw (S)
4	021 151 230	1	Pressure Spring
5	118 151 190	1	Screw
6	957 151 010	1	Pump Diaphragm Set
7	021 151 120	1	Diaphragm Cover
8	118 151 020	5	Screw
9	957 151 020	1	Control Diaphragm Set
10	385 151 040	1	Throttle Shaft
11	371 151 310	1	Spring
12	001 151 680	1	Throttle Shutter
13	118 151 060	2	Screw
15	108 151 350	1	Shaft Clip
18	385 151 020	1	Shaft Assy - Choke
19	001 151 350	1	Choke Shutter
20	118 151 170	1	Friction Ball
21	118 151 160	1	Friction Spring
22	001 151 420	1	Main Adjustment Screw (H)
23	021 151 530	1	Spring (H)
24	001 151 410	1	Idling Adjustment Screw (L)
25	021 151 480	1	Spring (L)
26	021 151 180	1	Screen
27	957 150 040	1	Set Control Parts

Fuel Tank



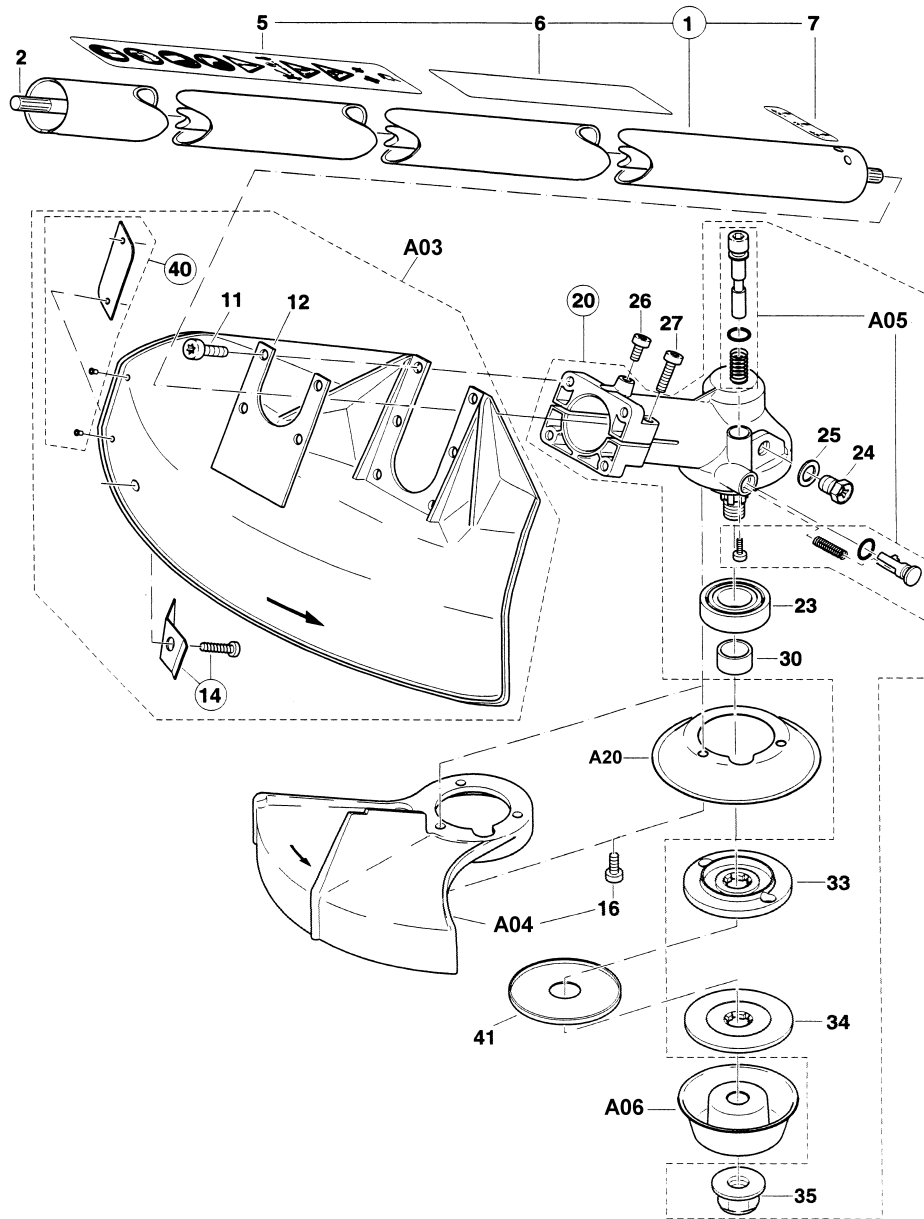
Item No.	Part No.	No. Used	Description
25	385 114 611	1	Tank Assy, Blue
26	957 114 010	1	Vent Valve CPL
27	965 452 060	1	Tube 110mm (Sold by Meter)
28	010 114 045	1	Tank Plug CPL
29	963 601 420	1	Suction Head CPL
30	963 601 150	1	Suction Head
31	928 605 500	1	Disc
32	965 452 480	1	Tube 160mm (Sold by Meter)
34	385 310 631	1	Clamping Piece, Blue
35	908 006 305	1	Screw M6x30
36	924 106 400	1	Washer
37	920 206 000	1	Hexagonal Nut M6
38	385 365 010	1	Inserting Plate
39	965 403 380	2	Ring Buffer
40	385 316 010	1	Orifice Plate
41	913 467 164	2	Screw 6,7x16
45	980 114 673	1	Label DBC4510

Handle, Bowden Cable



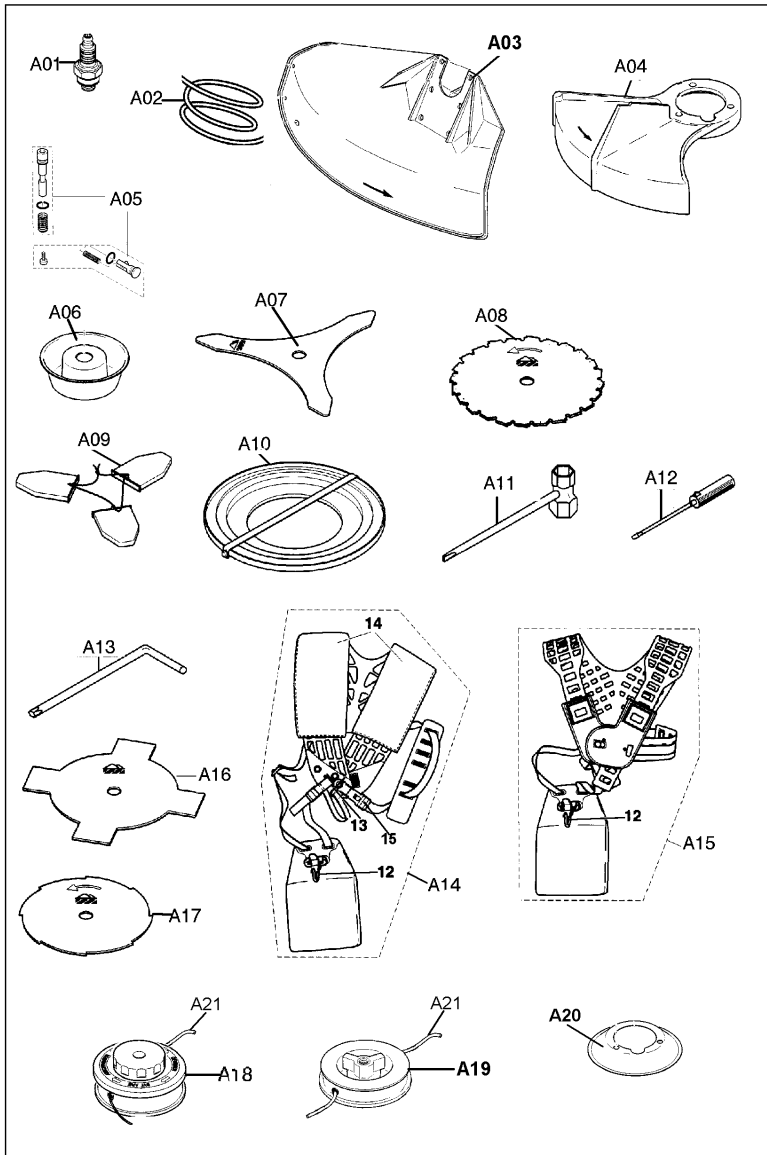
Item No.	Part No.	No. Used	Description
1	369 313 203	1	Operating Lever Assy (Old 369 313 202)
2	385 726 070	1	Bowden Cable CPL
3	385 310 161	1	Handle
4	369 313 290	1	Handle Half, Right, CPL
5	369 313 080	1	Handle Half, Left
6	369 311 042	1	Throttle Lever (~ 1998)
	369 311 080	1	Throttle Lever (1999 -)
7	369 311 071	1	Spring
8	975 001 210	1	Short-Circuit Switch
9	915 735 100		Screw 3,5x10
10	965 903 080	1	Clamping Ring ϕ 31
11	908 006 255	1	Screw M6x25 (Old 913 660 254)
21	385 176 010	1	Retaining Clip
22	913 455 204	1	Screw 5,5x20
23	965 401 018	1	Rubber Bush
25	387 311 100	1	Handle, Left
26	957 310 610	1	Clamping Holder Set, Blue
27	900 108 555	1	Hexagonal Screw M8x55
28	924 108 400	1	Washer
29	908 005 165	2	Screw M5x16

Main Pipe, Bevel Gear, Protection Hood



Item No.	Part No.	No. Used	Description	Item No.	Part No.	No. Used	Description
1	010 261 020	1	Main Pipe Assy	34	385 224 022	1	Pressure Disc
2	385 228 030	1	Transmission Shaft	35	385 228 041	1	Safety Nut M12x1,5 L
5	980 114 628	1	Label	40	957 341 020	1	Protection Cover Reinforcement CPL
6	980 114 148	1	Makita Label	41	385 224 520	1	Covering Washer
7	980 114 119	1	Label	Accessories			
11	908 005 165	4	Screw M5x16	A03	010 341 612	1	Protection Hood Assy (F/Line) (Old 010 341 611)
12	385 341 021	1	Plate (Old 385 341 020)	A04	010 341 630	1	Protection Hood CPL φ 200 (F/Blade)
14	957 341 010	1	Line Cutter		010 341 640	1	Protection Hood CPL φ 225 (F/Blade)
16	908 005 125	3	Screw M5x12	A05	957 385 272	1	Tool Locking Syst. CPL
20	385 200 203	1	Bevel Gear Assy	A06	385 218 020	1	Sliding Cup
23	962 900 055	1	Radial Ring	A20	010 224 400	1	Winding Preventer Com.
24	900 210 104	1	Hexagonal Head Screw M10x1,25x10				
25	963 604 084	1	Gasket				
26	908 005 125	1	Screw M5x12				
27	908 005 255	2	Screw M5x25				
30	385 228 020	1	Distance Ring				
33	385 224 012	1	Mounting Disc				

Accessories



Item No.	Part No.	No. Used	Description
12	385 260 040	1	Snaphook
13	385 260 030	1	Safety Pin
14	385 260 050	1	Shoulder Protection Slips
15	385 260 060	1	Plastic Clip
Accessories			
A01	965 603 014	1	Spark Plug
A02	387 164 010	1	Starter Rope ϕ 3 x 1.3M
	SD 4100 4.0	1	Starter Rope 1/8" x 250'
A03	010 341 612	1	Protection Hood Assy (F/Line) (Old 010 341 611)
A04	010 341 630	1	Protection Hood CPL ϕ 200 (F/Blade)
	010 341 640	1	Protection Hood CPL ϕ 225 (F/Blade)
A05	957 385 272	1	Tool Locking Syst. CPL
A06	385 218 020	1	Sliding Cup
A07	385 224 300	1	Steel Bush Cutter ϕ 300x20mm Arbor
A08	385 224 700	1	Chisel Type Saw Blade ϕ 200
	385 224 600	1	Chisel Type Saw Blade ϕ 225
A09	385 341 411	1	Protection Case for A07
A10	370 341 450	1	Protection Case for A08, A16 & A17
A11	941 719 131	1	Universal Wrench 19/13
A12	944 340 001	1	Screwdriver
A13	940 827 000	1	Angled Screwdriver
A14	370 260 100	1	Professional Harness (Includes Item 12-15)
A15	384 260 100	1	Double Shoulder Harness (Includes Items 12)
A16	385 224 140	1	Star Blade ϕ 255
A17	385 224 200	1	8 Tooth Eddy Blade
A18	385 224 500	1	Dual Line Trimming Head (LH)
A19	384 224 502	1	Dual Line Trimming Head (Old 384 224 500 & 384 224 501)
A20	010 224 400	1	Winding Preventer Com.
A21	B-01971	1	Nylon Line .095 X 16.4'
---	950 004 001	1	Plastic Bag (Not Shown)