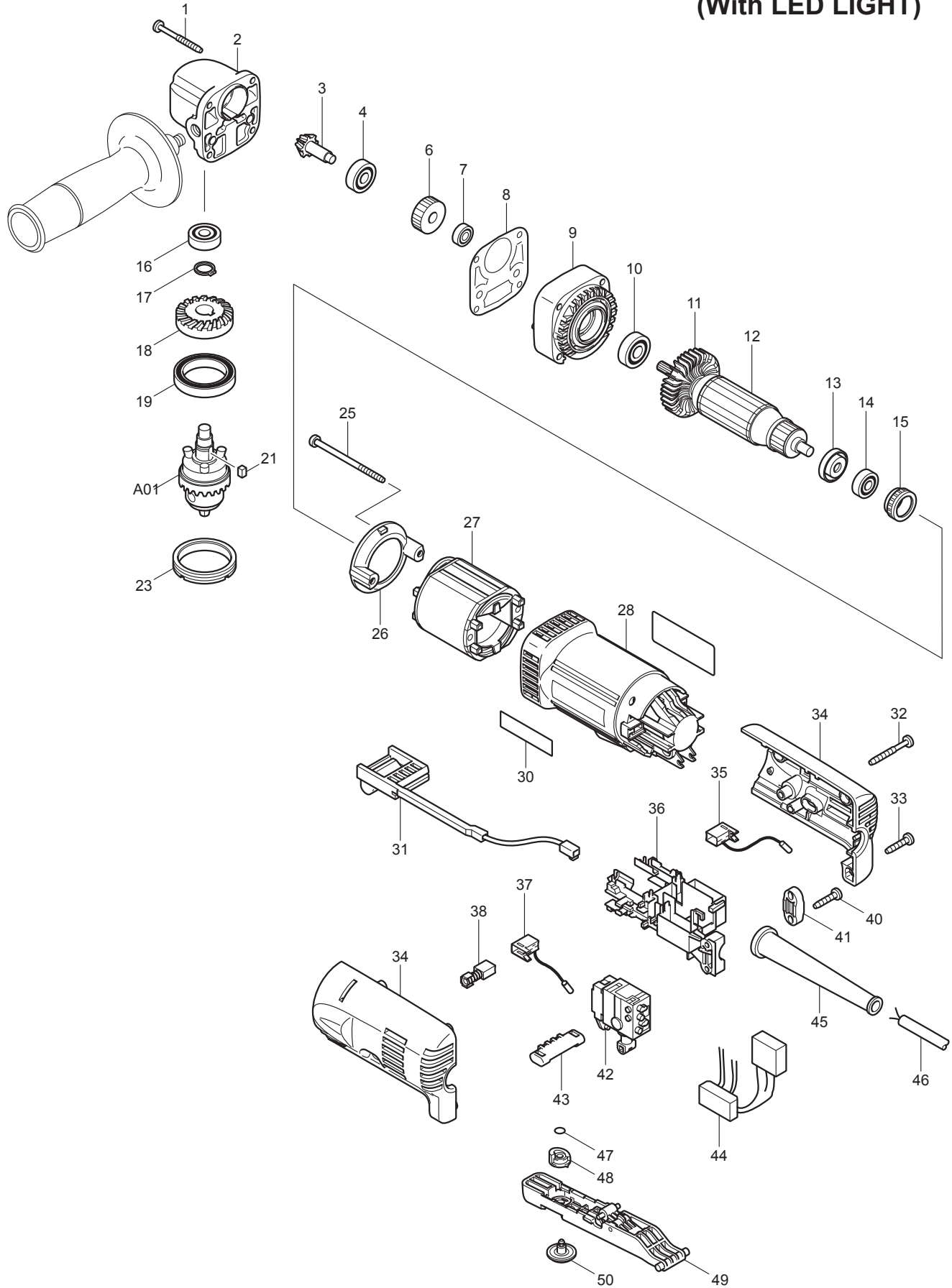




03 - 2010  
DA3010F  
3/8" ANGLE DRILL  
(With LED LIGHT)



Item No	Type	Ref	Part No	Description	Qty	Unit
001			266048-4	TAPPING SCREW 4X40	4	PC.
002			317635-3	GEAR HOUSING	1	PC.
003			227436-0	SPIRAL BEVEL GEAR 9	1	PC.
004	2		210029-0	BALL BEARING 608ZZ (OLD# 211031-6)	1	PC.
006			226567-2	HELICAL GEAR 28	1	PC.
007			210026-6	BALL BEARING 696ZZ	1	PC.
008			418036-9	GASKET	1	PC.
009			418042-4	GEAR HOUSING COVER	1	PC.
010			211051-0	BALL BEARING 609LLB	1	PC.
011			240061-0	FAN 48	1	PC.
012			517581-2	ARMATURE ASS'Y 115V	1	PC.
		INC.		Item No. 10,11,13,14		
013			681636-0	INSULATION WASHER	1	PC.
014			211021-9	BALL BEARING 607LLB	1	PC.
015			421494-0	RUBBER RING 19	1	PC.
016	2		210029-0	BALL BEARING 608ZZ (OLD#211031-6)	1	PC.
017			961052-5	RETAINING RING S-12	1	PC.
018			227437-8	SPIRAL BEVEL GEAR 26	1	PC.
019	1		211419-0	BALL BEARING 6806DDW	1	PC.
	2		211423-9	BALL BEARING 6806DDW	1	PC.
021			254201-4	KEY 4	1	PC.
023			285842-5	BEARING RETAINER 36-43	1	PC.
025			266315-7	TAPPING SCREW MT 4X65	2	PC.
026			418033-5	BAFFLE PLATE	1	PC.
027			635076-4	FIELD	1	PC.
028			183560-8	MOTOR HOUSING	1	PC.
		INC.		Item No. 30		
029			850083-8	NAME PLATE F/ DA3010F	1	PC
030			819063-3	MAKITA LABEL	1	PC.
031			631516-0	LED CIRCUIT	1	PC.
032			266053-1	TAPPING SCREW 4X35	1	PC.
033			265995-6	TAPPING SCREW 4X18	3	PC.
034			183559-3	REAR COVER SET	1	SET
035			643802-7	BRUSH HOLDER	1	PC.
036			687139-2	SUPPORT	1	PC.
037			643802-7	BRUSH HOLDER	1	PC.
038	2		195007-0	CARBON BRUSH CB-407 2PC/SET, W/O ORIGIN	1	SET
040			265995-6	TAPPING SCREW 4X18	2	PC.
041			687063-9	CORD CLAMP	1	PC.
042			650539-9	SWITCH TG803BSA-1	1	PC.
043			418038-5	F/R CHANGE LEVER	1	PC.
044			631528-3	POWER SUPPLY CIRCUIT	1	PC.
045			682559-5	CORD GUARD 8	1	PC.
046			664064-4	CORD W/PLUG 2P-18-2.5M, SJ	1	PC.
047			213034-6	O RING 3	1	PC.
048			418040-8	CAM	1	PC.
049			153477-9	SWITCH LEVER COMPLETE	1	PC.
050			418037-7	SPEED CHANGE DIAL	1	PC.
051			411780-7	KEY HOLDER 10	1	PC.
100			654126-6	TAB	4	PC
<b>ACCESSORIES</b>			<b>- See catalogue or visit <a href="http://www.makita.ca">www.makita.ca</a> for more accessories information -</b>			
A01			763174-5	3/8" DRILL CHUCK S10	1	PC.
A02			763415-9	CHUCK KEY S10	1	PC.
A03	2		153489-2	GRIP 36 COMPLETE	1	PC.