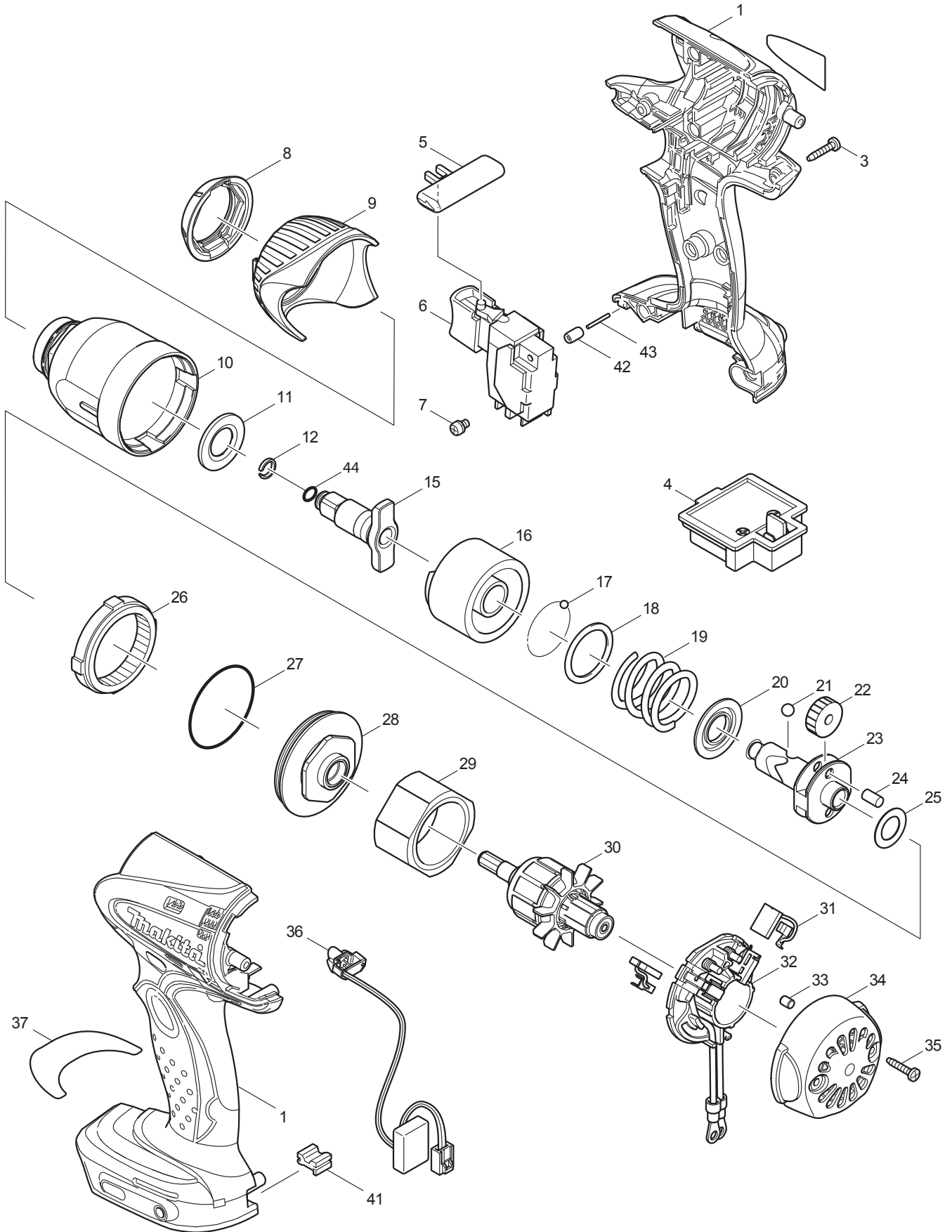




12 - 2013  
BTW253 / BTW253Z / BTW253F  
18V IMPACT WRENCH, 3/8" HEX



| Item No | Type | Ref  | Ref Part No | Description   | Qty | Unit |
|---------|------|------|-------------|---|-----|------|
| 1       |      |      | 188243-5    | HOUSING SET   | 1   | SET  |
|         |      | INC. | 263005-3    | RUBBER PIN 6  | 2   | PC.  |
| 3       |      |      | 266130-9    | TAPPING SCREW BIND PT 3X16                          | 8   | PC.  |
| 4       | 1    |      | 643812-4    | * TERMINAL, BLACK                                   | 1   | PC.  |
|         | 2    |      | 643843-3    | * TERMINAL, YELLOW                                  | 1   | PC.  |
|         | 3    |      | 643852-2    | * TERMINAL  | 1   | PC.  |
| 5       |      |      | 419041-9    | F/R CHANGE LEVER                                    | 1   | PC.  |
| 6       | 1    |      | 650564-0    | * SWITCH TG553FSB-1                                 | 1   | PC.  |
|         | 2    |      | 650652-3    | * SWITCH TG553FSB-1B                                | 1   | PC.  |
| 7       |      |      | 652045-0    | +PAN HEAD SCREW M3.5X5                              | 2   | PC.  |
| 8       | 1    |      | 424015-7    | * BUMPER  | 1   | PC.  |
|         | 2    |      | 424369-2    | * BUMPER  | 1   | PC.  |
| 9       | 1    |      | 450664-4    | * HAMMER CASE COVER - N/L/A                         | 1   | PC.  |
|         | 2    |      | 452393-5    | * HAMMER CASE COVER                                 | 1   | PC.  |
| 10      |      |      | 154590-6    | HAMMER CASE COMPLETE                                | 1   | PC.  |
| 11      |      |      | 261108-7    | NYLON WASHER 14                                     | 1   | PC.  |
| 12      |      |      | 233943-3    | RING SPRING 8                                       | 1   | PC.  |
| 15      |      |      | 324921-5    | ANVIL   | 1   | PC.  |
| 16      |      |      | 324810-4    | HAMMER  | 1   | PC.  |
| 17      |      |      | 216001-0    | STEEL BALL 3.5                                      | 24  | PC.  |
| 18      |      |      | 267175-0    | FLAT WASHER 24                                      | 1   | PC.  |
| 19      |      |      | 234074-1    | COMPRESSION SPRING 25                               | 1   | PC.  |
| 20      |      |      | 267766-7    | CUP WASHER 14                                       | 1   | PC.  |
| 21      |      |      | 216011-7    | STEEL BALL 5.6                                      | 2   | PC.  |
| 22      |      |      | 226336-1    | SPUR GEAR 22  | 2   | PC.  |
| 23      |      |      | 324552-0    | SPINDLE   | 1   | PC.  |
| 24      |      |      | 256253-1    | PIN 5   | 2   | PC.  |
| 25      |      |      | 267212-0    | FLAT WASHER 12                                      | 1   | PC.  |
| 26      |      |      | 227150-8    | INTERNAL GEAR 51                                    | 1   | PC.  |
| 27      |      |      | 213507-9    | O RING 40   | 1   | PC.  |
| 28      |      |      | 158145-9    | BEARING BOX COMPLETE                                | 1   | PC.  |
|         |      | INC. | 211140-1    | BALL BEARING 6901LLB (Removed)                      | 1   | PC.  |
| 29      |      |      | 638495-3    | YORK UNIT   | 1   | PC.  |
| 30      | 1    |      | 619194-6    | ARMATURE - N/L/A                                    | 1   | PC.  |
|         | 2    |      | 619253-6    | ARMATURE  | 1   | PC.  |
| 31      | 1    |      | 194427-5    | * CARBON BRUSH CB-440, 2PCS/SET, W/O ORIGIN - N/L/A | 1   | SET  |
|         | 2    |      | 195021-6    | * CARBON BRUSH CB-440 2PC/SET, W/ ORIGIN            | 1   | SET  |
|         | 3    |      | 196855-0    | * CARBON BRUSH CB-448 2PC/SET, W/ ORIGIN            | 1   | SET  |
| 32      | 1    |      | 638498-7    | * BRUSH HOLDER COMPLETE                             | 1   | PC.  |
|         | 2    |      | 632G49-0    | * BRUSH HOLDER COMPLETE                             | 1   | PC.  |
|         |      | INC. | 689181-9    | * SPACER (Added N/A Individually)                   | 2   | PC.  |
|         |      | INC. |             | * Item No. 31                                       |     |      |
| 33      |      |      | 263032-0    | RUBBER PIN 4  | 2   | PC.  |
| 34      |      |      | 418981-8    | REAR COVER  | 1   | PC.  |
| 35      |      |      | 266130-9    | TAPPING SCREW BIND PT 3X16                          | 2   | PC.  |
| 36      |      |      | 631693-8    | LIGHT CIRCUIT                                       | 1   | PC.  |
| 37      |      |      | 810292-1    | CAUTION LABEL                                       | 1   | PC.  |
| 41      |      |      | 424026-2    | CUSHION   | 1   | PC.  |
| 42      |      |      | 263036-2    | RUBBER PIN 5  | 1   | PC.  |
| 43      |      |      | 268184-2    | PIN 1.5   | 1   | PC.  |
| 44      |      |      | 213960-9    | O RING 5  | 1   | PC.  |

#### **ACCESSORIES**

- See catalogue or visit [www.makita.ca](http://www.makita.ca) for more accessories information -

|     |   |      |           |                            |   |     |
|-----|---|------|-----------|----------------------------|---|-----|
| A01 | 1 |      | DC18RA    | CHARGER DC18RA             | 1 | PC. |
|     | 2 |      | DC18RC    | CHARGER DC18RC             | 1 | PC. |
| A02 |   |      | 194205-3  | 18V LI-ION BATTERY BL1830  | 1 | PC. |
| A03 | 1 |      | 824753-5  | PLASTIC CARRYING CASE      | 1 | PC. |
|     |   | INC. | 419216-0  | HANDLE                     | 1 | PC. |
|     |   | INC. | 419215-2A | PLASTIC CASE LID, TAB TYPE | 1 | PC. |
|     |   | INC. | 417724-5  | LATCH                      | 2 | PC. |
|     |   | INC. | 413098-2  | PLATE                      | 4 | PC. |
|     |   | INC. | 324207-7  | SHAFT                      | 1 | PC. |
|     | 2 |      | 141205-4  | PLASTIC CASE COMPLETE      | 1 | PC. |
|     |   | INC. | 419216-0  | HANDLE                     | 1 | PC. |
|     |   | INC. | 419215-2A | PLASTIC CASE LID, TAB TYPE | 1 | PC. |
|     |   | INC. | 417724-5  | LATCH                      | 2 | PC. |
|     |   | INC. | 413098-2  | PLATE                      | 4 | PC. |
|     |   | INC. | 324207-7  | SHAFT                      | 1 | PC. |
| A04 |   |      | 450128-8  | BATTERY COVER              | 1 | PC. |

**SERVICE CHANGES**

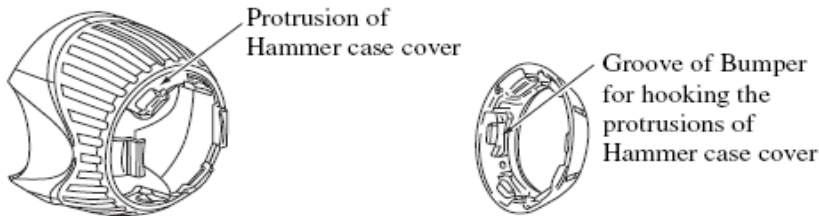
**1. Changes on Hammer Case Cover and Bumper**

| Item No. | Description       | Type 1   | Type 2   |
|----------|-------------------|----------|----------|
| 8        | Bumper            | 424015-7 | 424369-2 |
| 9        | Hammer Case Cover | 450664-4 | 452393-5 |

Above parts are completely interchangeable as a set.

Type1: Bumper is hooked with the grooves of Hammer case.

Type2: Bumper is hooked with the protrusions of Hammer case cover as illustrated below.



**2. Changes How to Assemble Carbon Brushes (This change applies to both Type 1 and 2)**

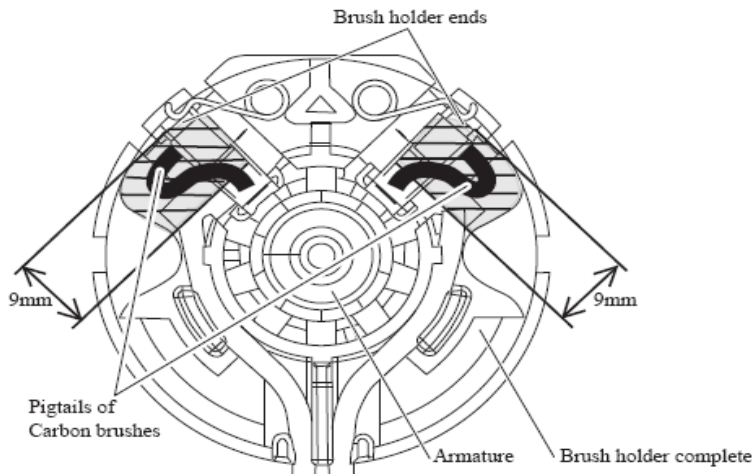
**Change on Brush Holder Complete**

| Item No. | Description           | Type 1                   | Type 2                  | (TI# A2258)             | (TI# B1033)                               |
|----------|-----------------------|--------------------------|-------------------------|-------------------------|---|
|          |                       |                          |                         | Type 3                  | Type 4                                    |
| 31       | Carbon Brush          | 194427-5<br>(W/O ORIGIN) | 195021-6<br>(W/ ORIGIN) | 196855-0<br>(W/ ORIGIN) | 196855-0<br>(W/ ORIGIN)<br>Inc. in No. 32 |
| 32       | Brush Holder Complete | 638498-7                 |                         |                         | 632G49-0                                  |
| Inc.     | Spacer                | -----                    |                         |                         | 689181-9                                  |

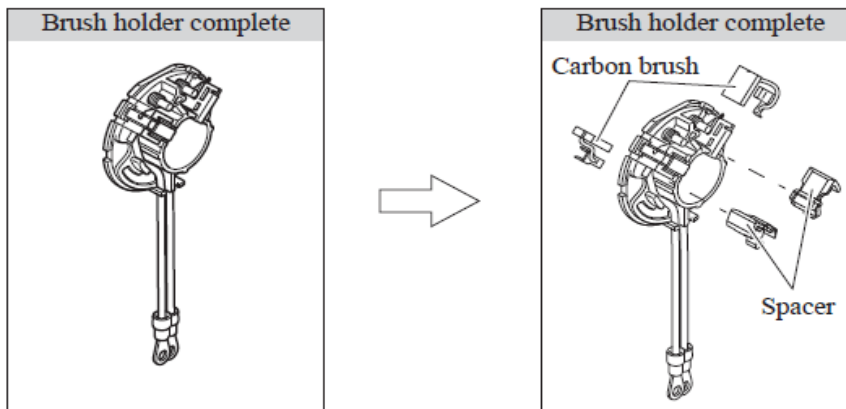
Above parts are completely interchangeable as a set.

Do not protrude the pigtails of Carbon brushes from the specific spaces.

Refer to the following illustration.



Type 3 > Type 4



\_\_\_\_\_

\_\_\_\_\_

### 3. Changes on Switch, Terminal and Housing Set (Battery Protection Circuit)

(T/I# 84038) (T/I# 91081)

| Item No. | Description | Type 1   | Type 2   | Type 3   |
|----------|-------------|----------|----------|----------|
| 4        | Terminal    | 643812-4 | 643843-3 | 643852-2 |
| 6        | Switch      | 650564-0 |          | 650652-3 |

Above parts are completely interchangeable as a set.

#### Service Note:

- Use **TYPE 3** parts for repair of the models manufactured on or after July 2011 with using **Yellow lead wire between Switch and Terminal.**
- Use TYPE 2 (or TYPE 1) parts for repair of the models manufactured before July 2011 without using Yellow lead wire between Switch and Terminal.

**\*\* See Technical Information #91081 for Wiring Diagram Change**