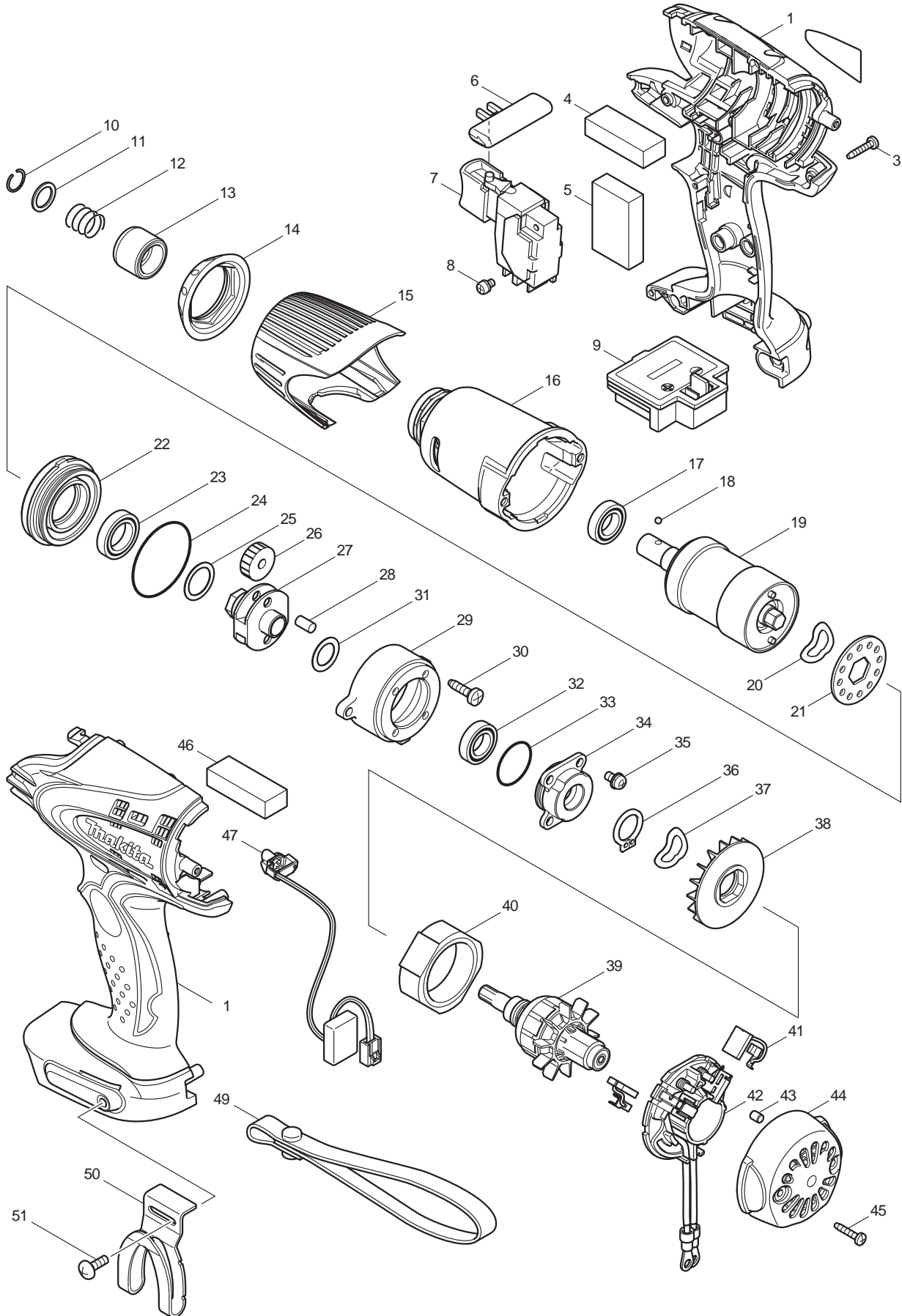




08 - 2009

BTS130

# 14.4V OIL-IMPULSE DRIVER KIT



Item No.	Part No.	Description	Qty	Unit
1	188267-1	HOUSING SET (OLD# 188058-0)	1	SET
	INC.	Item No. 4, 5, 46		
3	266130-9	TAPPING SCREW BIND PT 3X16	9	PC.
4	423352-6	SPONGE SHEET B	1	PC.
5	423351-8	SPONGE SHEET A	1	PC.
6	419041-9	F/R CHANGE LEVER	1	PC.
7	650564-0	SWITCH TG553FSB-1	1	PC.
8	652045-0	+PAN HEAD SCREW M3.5X5	2	PC.
9	643811-6	TERMINAL	1	PC.
10	231965-7	RING SPRING 10	1	PC.
11	267143-3	FLAT WASHER 11	1	PC.
12	233005-7	COMPRESSION SPRING 13	1	PC.
13	324615-2	BIT SLEEVE	1	PC.
14	421913-6	BUMPER (TYPE 1)	1	PC.
	424197-5	BUMPER (TYPE 2)	1	PC.
15	419168-5	UNIT CASE COVER	1	PC.
16	154740-3	UNIT CASE COMPLETE	1	PC.
17	211136-2	BALL BEARING 6801LLB	1	PC.
18	216019-1	STEEL BALL 3	2	PC.
19	154847-5	OIL UNIT COMPLETE	1	PC.
20	267721-9	WAVE WASHER 15	1	PC.
21	345636-1	LOCK WASHER	1	PC.
22	317963-6	BEARING BOX B	1	PC.
23	211233-4	BALL BEARING 6802LLB	1	PC.
24	213508-7	O RING 38	1	PC.
25	253147-1	FLAT WASHER 15	1	PC.
26	226336-1	SPUR GEAR 22	2	PC.
27	324600-5	CARRIER	1	PC.
28	256253-1	PIN 5	2	PC.
29	313126-2	INTERNAL GEAR CASE	1	PC.
30	266034-5	TAPPING SCREW CT 4X16	2	PC.
31	253052-2	FLAT WASHER 12	1	PC.
32	211136-2	BALL BEARING 6801LLB	1	PC.
33	213373-4	O RING 22	1	PC.
34	154881-5	BEARING BOX A COMPLETE	1	PC.
	INC.	Item No. 32		
35	911506-2	PAN HEAD SCREW M4X8	4	PC.
36	961054-1	RETAINING RING S-14	1	PC.
37	267721-9	WAVE WASHER 15	1	PC.
38	240086-4	FAN 46	1	PC.
39	619168-7	ARMATURE	1	PC.
40	638396-5	YORK UNIT	1	PC.
41	194427-5	CARBON BRUSH CB-440, 2PCS/SET (OLD#194159-4)	1	SET
	195021-6	CARBON BRUSH CB-440	1	
42	638434-3	BRUSH HOLDER COMPLETE	1	PC.
	INC. 231696-8	TORSION SPRING R	1	PC.
	INC. 231697-6	TORSION SPRING L	1	PC.
43	263032-0	RUBBER PIN 4	2	PC.
44	418981-8	REAR COVER	1	PC.
45	266130-9	TAPPING SCREW BIND PT 3X16	2	PC.
46	423352-6	SPONGE SHEET B	1	PC.
47	631631-0	LIGHT CIRCUIT	1	PC.
50	324705-1	HOOK (OLD# 324553-8)	1	PC.

Item No.	Part No.	Description	Qty	Unit
51	251314-2	+ SCREW M4X12 (F/HOOK)	1	PC.
<b><u>ACCESSORIES</u></b>				
A01	DC18RA	DC18RA CHARGER	1	PC.
	DC18SE	12V AUTOMOTIVE CHARGER DC18SE	1	PC.
	DC18RAKIT	CHARGER+BATTERY(DC18RA+BL1830)	1	KIT
A02	194066-1	14.4V LI-ION BATTERY BL1430	2	PC.
	194397-8	14.4V LI-ION BATTERY BL1430, 2PCS/PK	1	PK
A03	824753-5	PLASTIC CARRYING CASE	1	PC.
	INC. 324207-7	SHAFT	1	PC.
	INC. 413098-2	PLATE	4	PC.
	INC. 417724-5	LATCH	2	PC.
	INC. 419215-2A	PLASTIC CASE LID, TAB TYPE	1	PC.
	INC. 419216-0	HANDLE	1	PC.
A05	450128-8	BATTERY COVER	1	PC.
A06	122758-2	STOPPER ASS'Y	1	PC.
A08	322279-6	BIT PIECE - N/L/A	1	PC.
A09	784202-3	PHILLIPS BIT 2-45	1	PC.
A10	784203-1	PHILLIPS BIT 2-65	1	PC.
A11	784408-3	SOCKET BIT 13-55	1	PC.
A12	784643-3	CONNECTING BIT 6.35-44	1	PC.
A13	166070-0	SHOULDER BELT	1	PC.