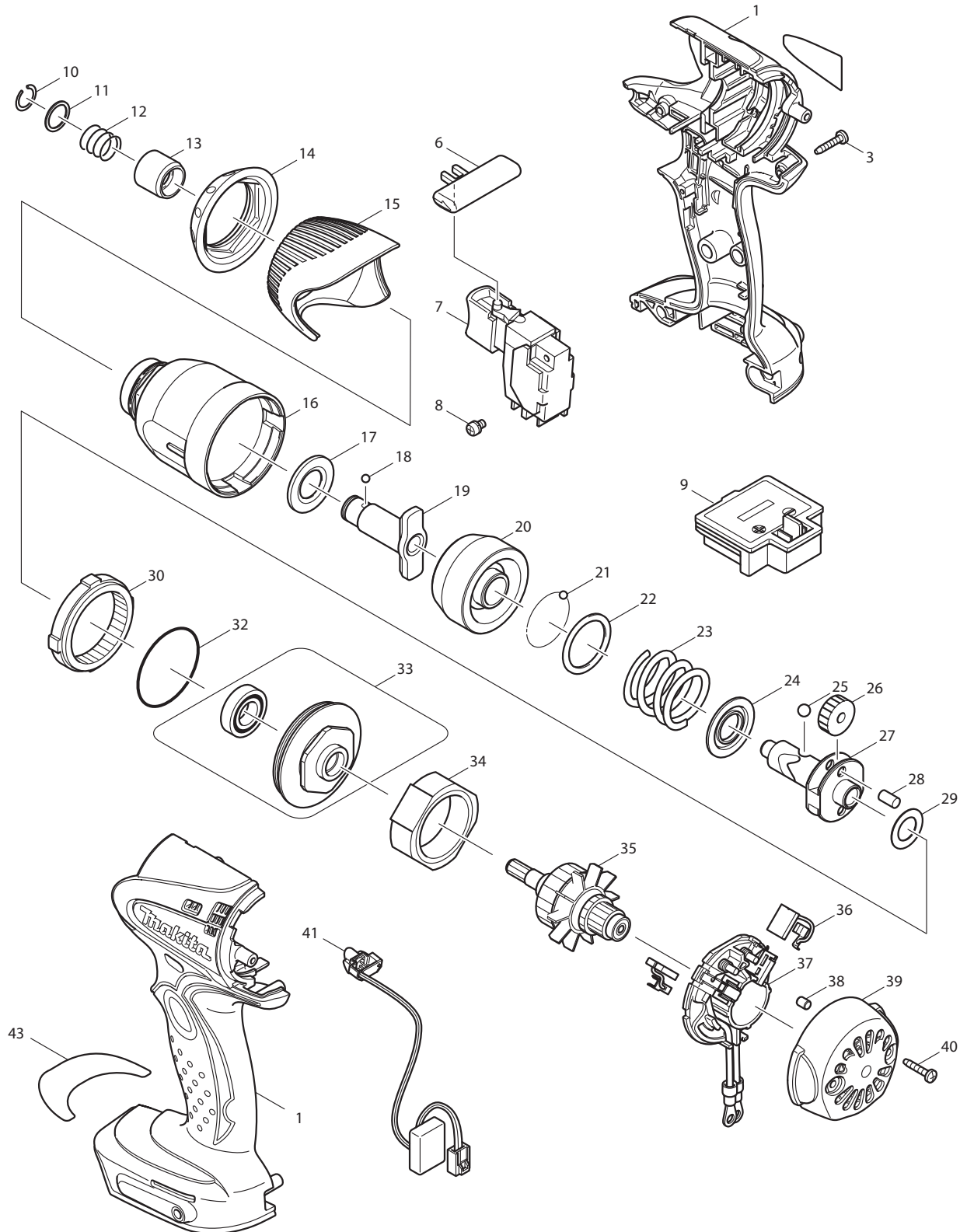




10-2008
BTD142H (BLUE)
BTD142HW (WHITE)
18V IMPACT DRIVER



Item No.	Part No.	Description	Qty	Unit
1	188226-5	HOUSING SET(WHITE)	1	SET
	188308-3	HOUSING SET(BLUE)	1	SET
3	266130-9	TAPPING SCREW BIND PT 3X16	8	PC.
6	419041-9	F/R CHANGE LEVER	1	PC.
7	650564-0	SWITCH TG553FSB-1	1	PC.
8	652045-0	+PAN HEAD SCREW M3.5X5	2	PC.
9	643812-4	TERMINAL	1	PC.
10	231951-8	RING SPRING 11	1	PC.
11	267085-1	FLAT WASHER 12	1	PC.
12	233005-7	COMPRESSION SPRING 13	1	PC.
13	324420-7	SLEEVE	1	PC.
14	421913-6	BUMPER (TYPE1)	1	PC.
	424197-5	BUMPER (TYPE2)	1	PC.
15	419042-7	HAMMER CASE COVER	1	PC.
16	154590-6	HAMMER CASE COMPLETE	1	PC.
17	261108-7	NYLON WASHER 14	1	PC.
18	216001-0	STEEL BALL 3.5	2	PC.
19	324432-0	ANVIL M	1	PC.
20	324583-9	HAMMER	1	PC.
21	216001-0	STEEL BALL 3.5	24	PC.
22	267175-0	FLAT WASHER 24	1	PC.
23	233430-2	COMPRESSION SPRING 24	1	PC.
24	267766-7	CUP WASHER 14	1	PC.
25	216011-7	STEEL BALL 5.6	2	PC.
26	226336-1	SPUR GEAR 22	2	PC.
27	324552-0	SPINDLE	1	PC.
28	256253-1	PIN 5	2	PC.
29	267212-0	FLAT WASHER 12	1	PC.
30	227150-8	INTERNAL GEAR 51	1	PC.
32	213507-9	O RING 40	1	PC.
33	154769-9	BEARING BOX COMPLETE	1	PC.
34	638396-5	YORK UNIT	1	PC.
35	619172-6	ARMATURE (TYPE1)	1	PC.
	619247-1	ARMATURE (TYPE2)	1	PC.
36	194159-4	CARBON BRUSH CB-436	1	SET
	194427-5	CARBON BRUSH CB-440	1	SET
37	638387-6	BRUSH HOLDER COMPLETE	1	PC.
	INC. 231696-8	TORSION SPRING R	1	PC.
	INC. 231697-6	TORSION SPRING L	1	PC.
38	263032-0	RUBBER PIN 4	2	PC.
39	418982-6	REAR COVER	1	PC.
40	266130-9	TAPPING SCREW BIND PT 3X16	2	PC.
41	631693-8	LIGHT CIRCUIT	1	PC.

ACCESSORIES

A01	DC18RA	DC18RA BATTERY CHARGER F/BL1830	1	PC.
	DC18SD	DC18SD BATTERY CHARGER F/BL1815	1	PC.
	DC18RAKIT	CHARGER DC18RA + BATTERY BL1830	1	SET
	DC18SE	AUTOMOTIVE CHARGER DC18SE	1	PC.
	DC24SA	CHARGER F/7.2-24V, 1.3-3.3AH	1	PC.
	DC24SC	CHARGER F/7.2-24V, 1.3-3.3AH	1	PC.

Item No.	Part No.	Description	Qty	Unit
A02	194309-1	18V LI-ION BATTERY BL1815	1	PC.
	194428-3	18V LI-ION BATTERY BL1815, 2/PK	2	PC.
	194205-3	18V LI-ION BATTERY BL1830	1	PC.
	194230-4	18V LI-ION BATTERY BL1830, 2/PK	2	PC.
A03	824774-7	PLASTIC CARRYING CASE	1	PC.
	INC. 324679-6	SHAFT	1	PC.
	INC. 417724-5	LATCH	2	PC.
	INC. 419216-0	HANDLE	1	PC.
A04	450128-8	BATTERY COVER	1	PC.
A05	251314-2	+ SCREW M4 X 12 F/HOOK	1	PC.
A06	346034-2	HOOK F/BL1815	1	PC.
	324705-1	HOOK F/BL1830 (OPTIONAL)	1	PC.

***INC.=INCLUDES**