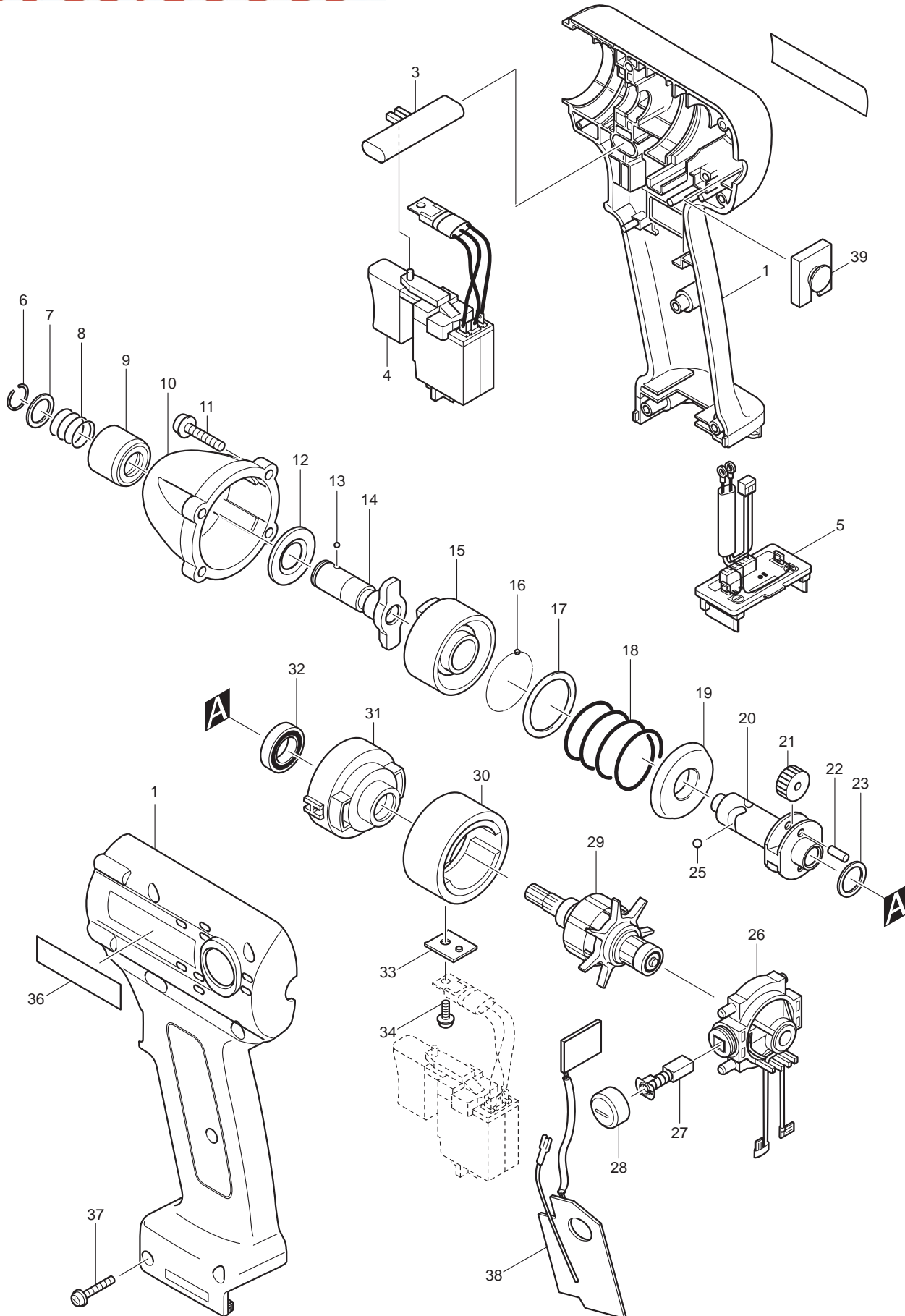




03 - 2011
BTD062Z
9.6V IMPACT DRIVER



Item No.	Type	Sub	Part No.	Description	Qty	Unit
1			183388-4	HOUSING SET	1	SET
		INC.		Item No. 36		
2			853316-0	NAME PLATE BTD062	1	PC.
3			417283-9	F/R CHANGE LEVER	1	PC.
4			650533-1	SWITCH C3LA-1A-TCSS	1	PC.
5			638085-2	TERMINAL UNIT	1	PC.
		INC.	654037-5	INSULATED TERM. FT1.25-M3	2	PC.
6			231965-7	RING SPRING 10	1	PC.
7			267143-3	FLAT WASHER 11	1	PC.
8			233005-7	COMPRESSION SPRING 13	1	PC.
9			162218-2	SLEEVE	1	PC.
10			152661-3	HAMMER CASE COMPLETE	1	PC.
11			911536-3	PAN HEAD SCREW M4X20	4	PC.
12			261117-6	NYLON WASHER 12	1	PC.
13			216019-1	STEEL BALL 3	2	PC.
14			324054-6	ANVIL M	1	PC.
15			324033-4	HAMMER B	1	PC.
16			216019-1	STEEL BALL 3	28	PC.
17			267175-0	FLAT WASHER 24	1	PC.
18			233296-0	COMPRESSION SPRING 24	1	PC.
19			344907-3	SPRING HOLDER	1	PC.
20			324051-2	SPINDLE B	1	PC.
21			227009-9	SPUR GEAR 16	2	PC.
22			268064-2	PIN 3.5	2	PC.
23			267104-3	FLAT WASHER 12	1	PC.
25			216011-7	STEEL BALL 5.6	2	PC.
26			638105-2	ENDBELL COMPLETE	1	PC.
		INC.	654069-2	RECEPTACLE	2	PC.
27			195020-8	CARBON BRUSH CB-434 2PC/SET (W/ ORIGIN)	1	SET
28			643933-2	BRUSH HOLDER CAP	2	PC.
29			619058-4	ARMATURE	1	PC.
30			632966-2	YOKE UNIT	1	PC.
31			152772-4	* INTERNAL GEAR CASE COM. (Old)	1	PC.
32			211136-2	BALL BEARING 6801LLB	1	PC.
33			689096-0	FET SPACER	1	PC.
34			266170-7	TAPPING SCREW ST3X8	1	PC.
36			819063-3	MAKITA LABEL	1	PC.
37			265095-2	PAN HEAD SCREW M3X20	6	PC.
38			631452-0	CONTROLLER	1	PC.
39			417696-4	LENS	1	PC.
40			227107-9	* INTERNAL GEAR 39	1	PC.
41			417346-1	* INTERNAL GEAR CASE	1	PC.
E01			892900-6	CAUTION LABEL	1	PC.

ACCESSORIES

A01			DC14SA	CHARGER DC14SA - N/L/A	1	PC.
			DC24SA	CHARGER DC24SA - N/L/A	1	PC.
			DC24SC	CHARGER DC24SC	1	PC.
A02			193176-1	9.6V NI-MH BATTERY B9017A (BULK) - N/L/A	1	PC.
			193301-4	9.6V NI-MH BATTERY B9017A (PKG) - N/L/A	1	PC.
			193531-7	9.6V NI-MH BATTERY BH9020A	1	PC.
			193536-7	9.6V NI-MH BATTERY BH9033A	1	PC.
A03			193205-0	ADAPTOR ADP01 - N/L/A	1	PC.
			193949-2	ADAPTOR ADP04	1	PC.
A04			193681-8	REFRESHING ADAPTOR ADP03	1	PC.
A05			417349-5	RUBBER PROTECTOR (CLEAR)	1	PC.
			417834-8	RUBBER PROTECTOR (RED)	1	PC.
			417835-6	RUBBER PROTECTOR (BLUE)	1	PC.