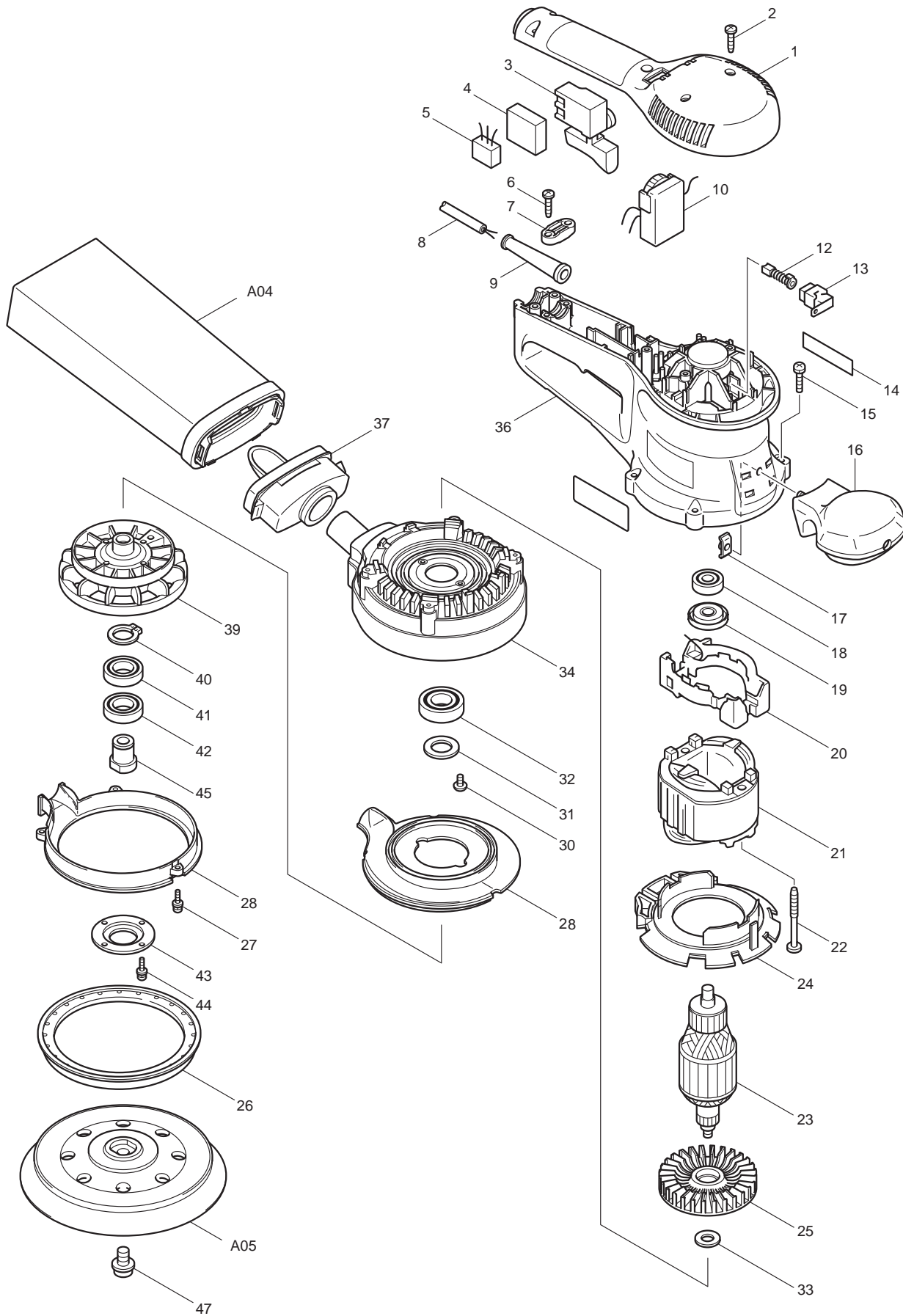




02 - 2010

BO6030

6" RANDOM ORBIT SANDER



Item No	Type	Sub	Part No	Description	Qty	Unit
001			417416-6	TOP COVER	1	PC.
002			265995-6	TAPPING SCREW 4X18	5	PC.
003			651286-5	SWITCH SGEL206C-5	1	PC.
006			265995-6	TAPPING SCREW 4X18	2	PC.
007			687063-9	CORD CLAMP (STRAIN RELIEF)	1	PC.
008	2		664891-9	CORD W/PLUG 2P-18-2.5M, SJO	1	PC.
009			682559-5	CORD GUARD 8	1	PC.
010			631423-7	CONTROLLER	1	PC.
012	2		195007-0	CARBON BRUSH CB-407 2PC/SET, W/O ORIGIN	1	PC.
013			643923-5	BRUSH HOLDER	2	PC.
014			819063-3	MAKITA LABEL	1	PC.
015			911138-5	PAN HEAD SCREW M4X20	4	PC.
016			168324-1	FRONT GRIP	1	PC.
017			252042-2	SQUARE NUT M5	1	PC.
018			210005-4	BALL BEARING 608DDW	1	PC.
019			681644-1	INSULATION WASHER	1	PC.
020			638067-4	SUPPORT COMPLETE	1	PC.
021			634406-6	FIELD 115V	1	PC.
022			266046-8	TAPPING SCREW 5X50	2	PC.
023			516451-2	ARMATURE ASS'Y 115V	1	PC.
		INC.		Item No. 18,19,25		
024			417415-8	BAFFLE PLATE	1	PC.
025			240043-2	FAN 70	1	PC.
026			421763-9	RUBBER GUARD	1	PC.
027			911018-5	PAN HEAD SCREW M3X12	3	PC.
028			183323-2	SCROLL HOUSING SET	1	SET
030			251291-8	+ SCREW M4X8	2	PC.
031			253315-6	THIN WASHER 15	1	PC.
032	2		211236-8	BALL BEARING 6002DDW	1	PC.
033			253878-2	FLAT WASHER 10	1	PC.
034			317416-5	SKIRT	1	PC.
035			851C05-9	NAME PLATE F/BO6030	1	PC.
036			183322-4	MOTOR HOUSING SET	1	SET
		INC.		Item No. 14		
037			151518-5	DUST NOZZLE COMPLETE	1	PC.
039			241665-1	FAN 92	1	PC.
040			961055-9	RETAINING RING S-15	1	PC.
041	3		210166-0	* BALLBEARING 6902LLB	1	PC.
	4		211244-9	* BALL BEARING 6902LLU	1	PC.
042	2		211244-9	* BALL BEARING 6902LLU	1	PC.
043			285702-1	BEARING RETAINER	1	PC.
044			911018-5	PAN HEAD SCREW M3X12	4	PC.
045			324144-5	SPINDLE	1	PC.
047			266270-3	HEX.SOCKET HEAD BOLT M8X14	1	PC.
100			654037-5	INSULATED EYE TERMINAL FT1.25-M3	4	PC.
101			654069-2	RECEPTACLE	1	PC.
102			654509-0	CONNECTOR 2-SD	1	PC.
103			652008-6	P.H. SCREW M3.5X7	4	PC.
C01			878105-2	CARTON F/BO6030	1	PC.
E01	1		810134-9	CAUTION LABEL (SP)	1	PC.
	2		892672-3	CAUTION LABEL (SP)	1	PC.

Item No	Type	Sub	Part No	Description	Qty	Unit
ACCESSORIES						
- See Catalogue or visit www.makita.ca for more accessories information -						
A01			410047-0	WRENCH HOLDER 5.6	1	PC.
A02			----	6" HOOK & LOOP SANDING DISC		
	Opt.		B-51459	6" HOOK&LOOP ABRASIVE DISC 120G, F/WOOD, 10PC/SET	1	SET
	Opt.		B-51546	6" HOOK&LOOP ABRASIVE DISC 120G, F/PAINT, 10PC/SET	1	SET
A03			783203-8	HEX. WRENCH 5	1	PC.
A04			151517-7	DUST BAG COMPLETE (Use with Item No. 37 Nozzle)	1	PC.
A05		4	A-91207	RUBBER PAD 6" (150MM) (SOFT)	1	PC.
A07			193288-0	6" HOOK & LOOP FELT PAD	1	PC.
A08		2	794619-2	6" HOOK & LOOP WOOL PAD	1	PC.

SERVICE CHANGES

1. Changes on Ball Bearing

Item No	Description	Type 1	Type 2	Type 3	Type 3	Type 4
41	Ball bearing	211239-2	211234-2	210166-0	210166-0	211244-9
42	Ball bearing	211239-2	211244-9	211244-9		

