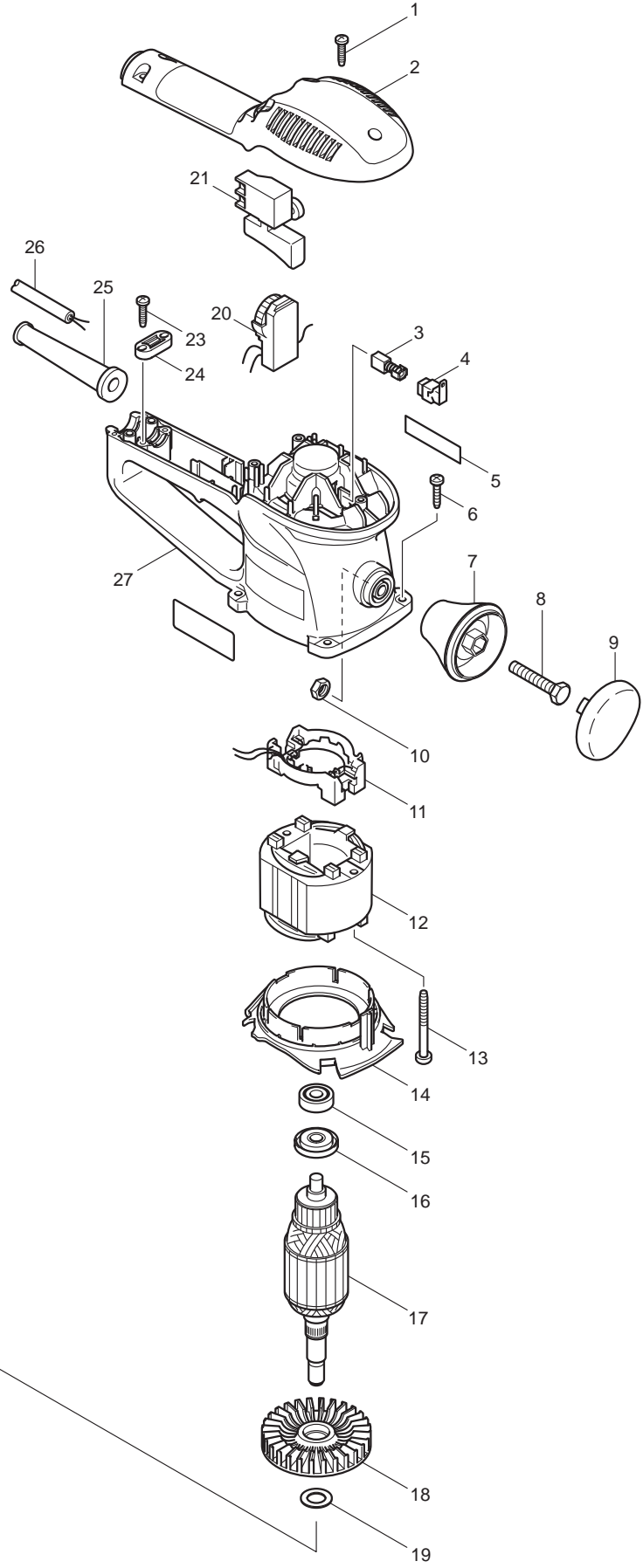
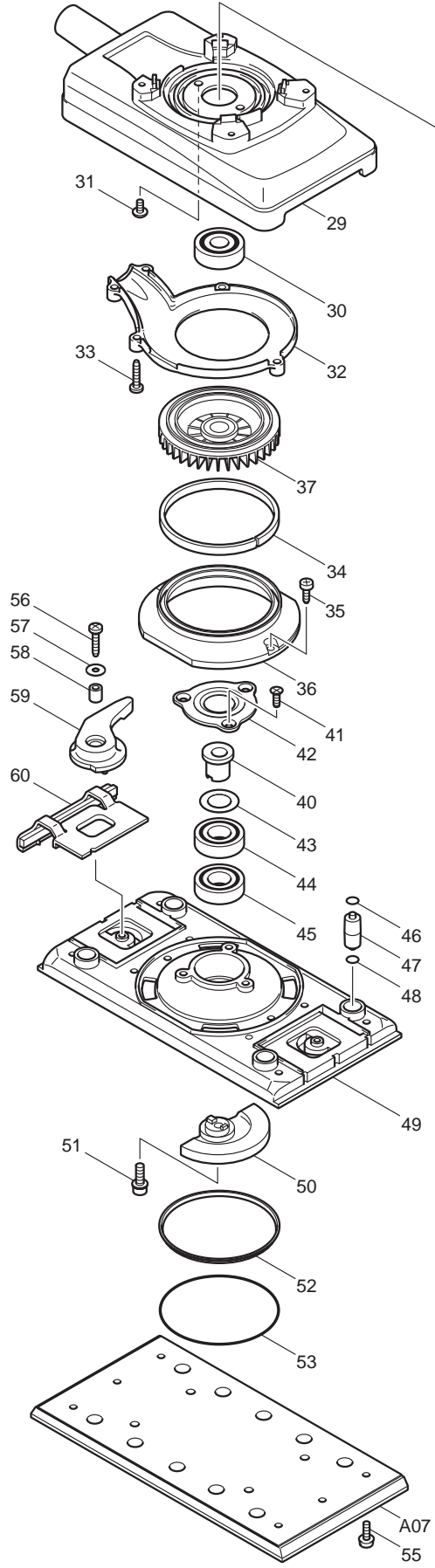


1/2 SHEET FINISHING SANDER



Item No	Type	Ref	Part No	Description	Qty	Unit
001			265995-6	TAPPING SCREW 4X18	5	PC.
002			417778-2	TOP COVER	1	PC.
003	2		195007-0	CARBON BRUSH CB-407 2PC/SET, W/O ORIGIN	1	SET
004			643923-5	BRUSH HOLDER	2	PC.
005			819063-3	MAKITA LABEL	1	PC.
006			266042-6	TAPPING SCREW BIND CT 4X20	4	PC.
007			417774-0	KNOB	1	PC.
008			921467-8	HEX. BOLT M8X45	1	PC.
009			417775-8	KNOB COVER	1	PC.
010			931403-6	HEX. NUT M8	1	PC.
011			638134-5	SUPPORT COMPLETE	1	PC.
012			634461-8	FIELD 115V	1	PC.
013			266046-8	TAPPING SCREW 5X50	2	PC.
014			417777-4	BAFFLE PLATE	1	PC.
015			210005-4	BALL BEARING 608DDW	1	PC.
016			681644-1	INSULATION WASHER	1	PC.
017			513501-4	ARMATURE ASS'Y 115V	1	PC.
		INC.		Item No. 15,16,18		
018			240043-2	FAN 70	1	PC.
019			253744-3	FLAT WASHER 12	1	PC.
020			631481-3	CONTROLLER	1	PC.
021			651286-5	SWITCH SGEL206C-5	1	PC.
023			265995-6	TAPPING SCREW 4X18	2	PC.
024			687063-9	CORD CLAMP (STRAIN RELIEF)	1	PC.
025			682502-4	CORD GUARD 8-85	1	PC.
026			664064-4	CORD W/PLUG 2P-18-2.5M, SJ	1	PC.
027			183419-9	MOTOR HOUSING	1	PC.
		INC.		Item No. 5		
028			853497-0	NAME PLATE F/BO4900V	1	PC.
029			317538-1	FRAME	1	PC.
030			211129-9	BALL BEARING 6201DDW	1	PC.
031			251291-8	+ SCREW M4X8	2	PC.
032			417773-2	SCROLL COVER	1	PC.
033			266042-6	TAPPING SCREW BIND CT 4X20	5	PC.
034			443108-1	FELT 6X225X3	1	PC.
035			266026-4	TAPPING SCREW BIND CT 4X12	2	PC.
036			417772-4	DUST GUIDE	1	PC.
037			240051-3	FAN 78	1	PC.
040			313104-2	SLEEVE	1	PC.
041			266058-1	TAPPING SCREW CT 4X12	3	PC.
042			162171-2	BEARING RETAINER 24	1	PC.
043			253315-6	THIN WASHER 15	1	PC.
044			211201-7	BALL BEARING 6002LLB	1	PC.
045			211201-7	BALL BEARING 6002LLB	1	PC.
046			213047-7	O RING 4	4	PC.
047			317535-7	FOOT	4	PC.
048			213047-7	O RING 4	4	PC.
049			317537-3	BASE	1	PC.
050			317536-5	BALANCER	1	PC.
051			266071-9	HEX. SOCKET HEAD BOLT M5X16	1	PC.
052			345211-3	UNDER COVER	1	PC.
053			213755-0	O RING 75	1	PC.

Item No	Type	Ref	Part No	Description	Qty	Unit
055			911118-1	PAN HEAD SCREW M4X12	8	PC.
056			266042-6	TAPPING SCREW BIND CT 4X20	2	PC.
057			253874-0	FLAT WASHER 4	2	PC.
058			257659-6	SLEEVE 4	2	PC.
059			153361-8	CLAMP LEVER COMPLETE	2	PC.
060			153362-6	PAPER CLAMP COMPLETE	2	PC.
		INC.	421498-2	CLAMP RUBBER	2	PC.
061			151518-5	DUST NOZZLE COM.	1	PC.
100			654037-5	INSULATED EYE TERMINAL FT1.25-M3	4	PC.
101			654509-0	CONNECTOR 2-SD	1	PC.
102			654069-2	RECEPTACLE	1	PC.

### ACCESSORIES

- See catalogue or visit [www.makita.ca](http://www.makita.ca) for more information of accessories -

A01			193525-2	PAPER DUST BAG HOLDER	1	PC.
A02			193526-0	PAPER DUST BAG (5PC/SET)	1	SET
A03			A-14093	4-1/2 X 11" ABRASIVE PAPER 120G, 10PC/PK	1	PC.
A04			151517-7	DUST BAG COMPLETE (Use with Item No. 61 Nozzle)	1	PC.
A05			P-80024	JOINT 25 (F/DUST COLLECTOR)	1	PC.
A06			192523-3	PUNCH PLATE	1	PC.
A07			193522-8	PAD HOOK & LOOP	1	PC.
A08	2		193523-6	PAD FOR CLAMP TYPE	1	PC.
A09			135246-0	DUST BOX ASSY	1	PC.
A10			194746-9	PAPER DUST BAG 5PC/SET	1	SET
A11			195133-5	FILTER DUST BAG 5PC/SET	1	SET
E01			892672-3	CAUTION LABEL	1	PC.

