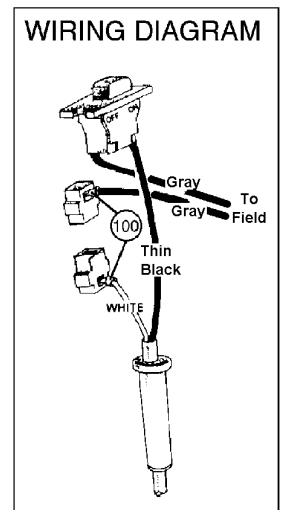
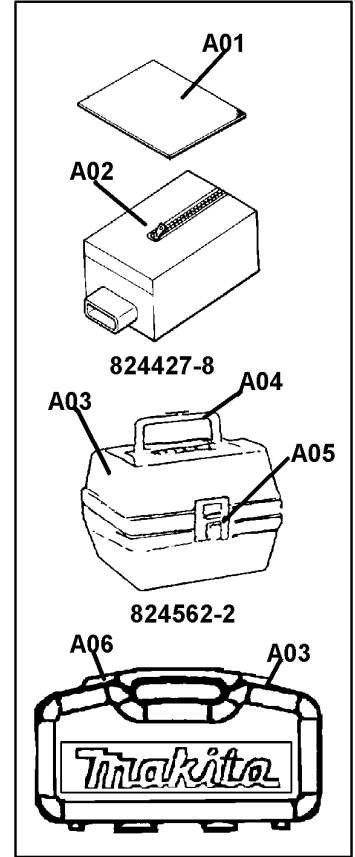
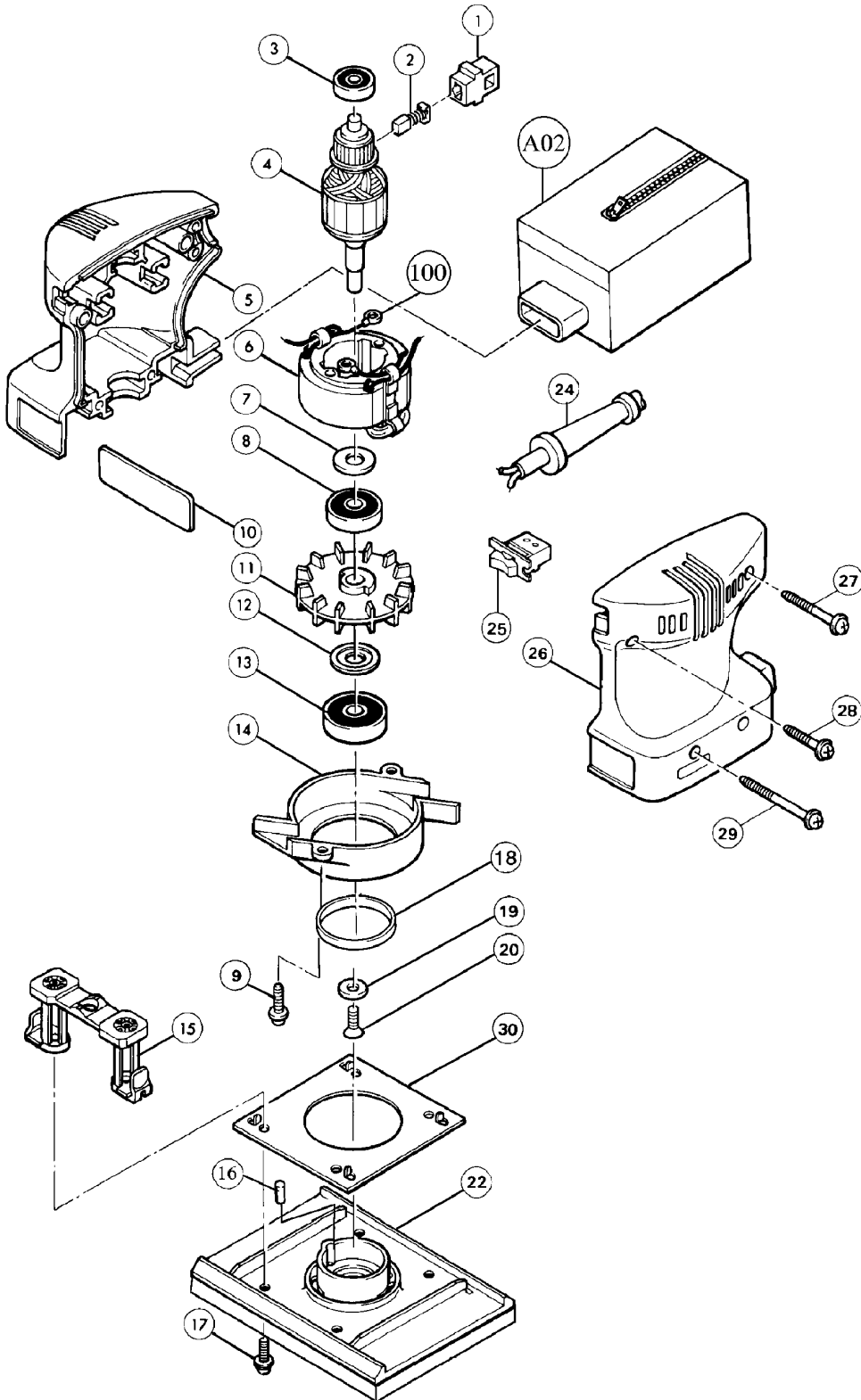


# HOOK & LOOP FINISHING SANDER Model BO4551\*(MCA)

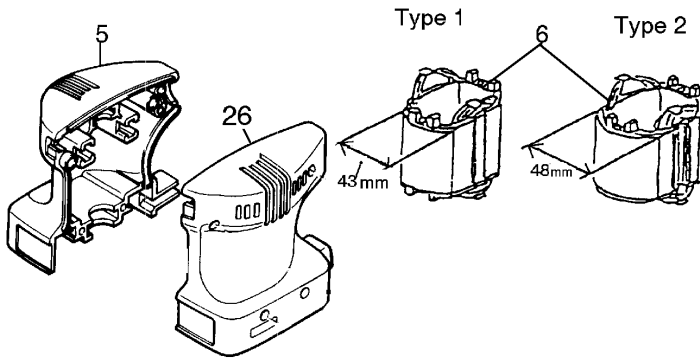


Item No.	Part No.	No. Used	Description	Item No.	Part No.	No. Used	Description
1	643552-4	2	Brush Holder	25	<b>651523-7</b>	1	Switch (Old 651513-0)
2	191956-9	2	Carbon Brush CB-75 (2pcs/Set)	26	*	1	Housing (L)
3	*	1	Ball Bearing 626LLB	27	265876-4	1	Tapping Screw 4x40
4	*	1	Armature (Old 511566-0 - Assy)	28	265875-6	1	Tapping Screw 4x25
5	*	1	Housing (R)	29	265872-2	2	Tapping Screw 4x50
6	*	1	Field Assy [With Item100(1Pc)]	30	344100-9	1	Plate 85
7	253214-2	1	Flat Washer 9	100	654002-4	2	Solderless Eye Terminal 1.25-M4
8	211092-6	1	Ball Bearing 629DDW	<b>Accessories</b>			
9	265871-4	2	Tapping Screw M4x16	A01	----	1	Hook & Loop Abr Paper (See Catalogue for Details)
11	241658-8	1	Fan (18 Blades)	A02	166027-1	1	Dust Bag
12	213051-6	1	Dust Seal 10	A03	<b>824427-8</b>	1	Plastic Carrying Case (Type 1) (Includes Items A04 & A05)
13	211066-7	1	Ball Bearing 6200LLB		<b>824562-2</b>	1	Plastic Carrying Case (Type 2) Includes Item A06)
14	410752-9	1	Baffle Plate	A04	<b>A00180-9</b>	1	Handle (S)
15	410918-1	2	Foot	A05	<b>A00182-5</b>	2	Snap Lock (M)
16	263002-9	1	Rubber Pin	A06	<b>416400-0A</b>	2	Slide Latch
17	251364-7	4	P.H. Screw M4x14 (Old 911118-1)				
18	262512-3	1	Rubber Sleeve 48				
19	253825-3	1	Flat Washer 6				
20	912117-6	1	Screw M4x12				
22	151404-0	1	Base Com. (With Item 16)				
24	664425-8	1	Cord With Plug & Cord Guard 2P-18-1.8				

\* SEE SERVICE CHANGES

## **SERVICE CHANGES**

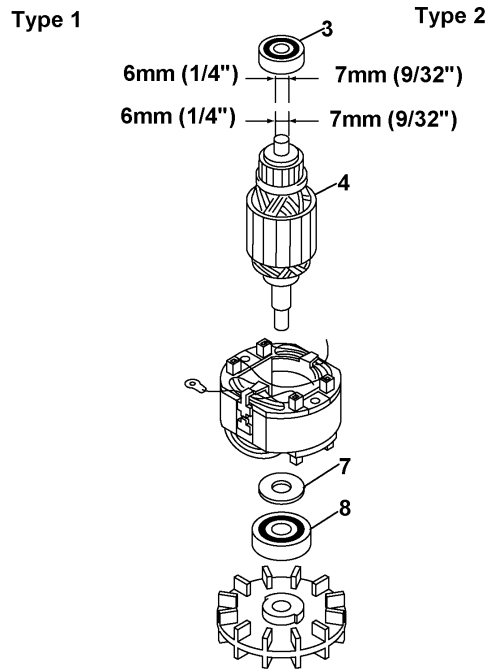
### **1. Change on Field Assy and Housing Set.**



Item No.	Description	Type 1	Type 2
5	Housing (R)	410938-5	182902-3 Set
26	Housing (L)	410937-7	
6	Field Assy	599302-4	593371-7

Above parts are completely interchangeable as a set.

2. Change of Armature, etc.



Item No.	Description	Type 1	Type 2
3	Ball Bearing	211016-2 (626LLB)	<b>211021-9</b> (607LLB)
4	Armature	611641-3	<b>517486-6</b> (Assy) (Includes Items 3, 7 & 8)
	Serial #	~ end of MCA Production	

Above parts are completely interchangeable as a set.