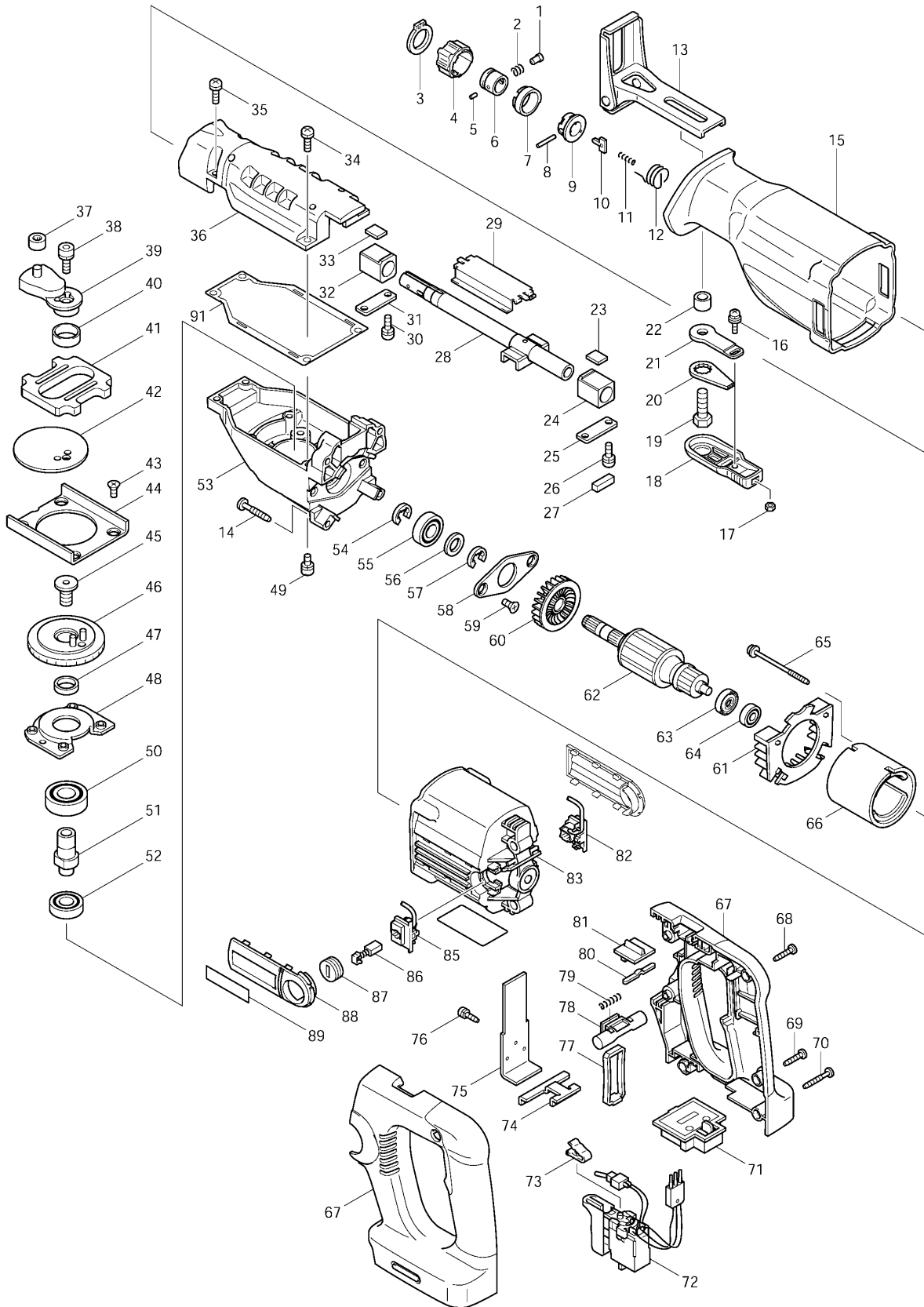
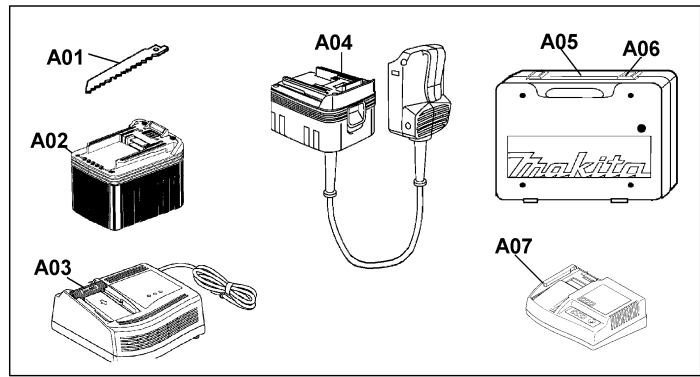
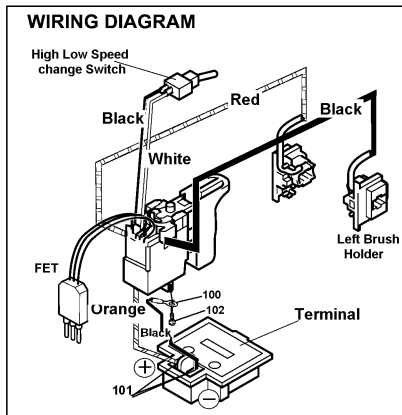


# 24V RECIPRO SAW

# Model BJR240SH (MJ)





Item No.	Part No.	No. Used	Description	Item No.	Part No.	No. Used	Description
1	256471-1	1	Shoulder Pin 5	47	257053-2	1	Ring 15
2	233345-3	1	Compression Spring 6	48	285705-5	1	Bearing Retainer 58
3	961078-7	1	Retaining Ring (EXT) S-18	49	265976-0	4	Hex.Socket Head Bolt M5X10
4	162228-9	1	Driving Sleeve	50	211206-7	1	Ball Bearing 6202LLB
5	268094-3	1	Pin 3	51	324251-4	1	Gear Shaft
6	331639-1	1	Guide Sleeve	52	211101-1	1	Ball Bearing 6001LLB
7	417791-0	1	Driving Sleeve Guide	53	317539-9	1	Gear Housing
8	256158-5A	1	Pin 3	54	961016-9	1	Stop Ring E-10
9	310129-7	1	Sleeve	55	211131-2	1	Ball Bearing 6001DDW
10	345214-7	1	Push Plate	56	253744-3	1	Flat Washer 12
11	233025-1	1	Compression Spring 2	57	961016-9	1	Stop Ring E-10
12	231662-5	1	Torsion Spring 17	58	285706-3	1	Bearing Retainer 58
13	163433-1	1	Shoe	59	251372-8	2	+ Countersunk Head Screw M5X12
14	266173-1	4	Tapping Screw 5X30	60	240052-1	1	Fan 46
15	421809-1	1	Insulation Cover	61	417792-8	1	Baffle Plate
16	911114-9	1	P.H. Screw M4X10	62	519074-5	1	Armature Assy 24V (Includes Items 60, 61, 63 & 64)
17	931102-0	1	Hex Nut M4	63	681652-2	1	Insulation Washer
18	152904-3	1	Lever 60 (With Item 17)	64	210017-7	1	Ball Bearing 607DDW
19	921442-4	1	Hex Bolt M8X25	65	266292-3	2	Tapping Screw 4X65
20	344733-0	1	Lock Plate	66	638107-8	1	Yoke Unit
21	344732-2	1	Inner Plate	67	183421-2	1	Handle Set
22	257558-2	1	Sleeve 9	68	266045-0	1	Tapping Screw 4X20
23	443070-0	1	Plate 12X16	69	266045-0	1	Tapping Screw 4X20
24	214169-6	1	Plane Bearing 14	70	266050-7	4	Tapping Screw 4X30
25	341462-6	1	Plate	71	643983-7	1	Terminal
26	911225-0	2	P.H. Screw M5X16	72	650519-5	1	Switch
27	443117-0	1	Felt 6X20	73	232205-6	1	Leaf Spring
28	168361-5	1	Slider	74	344898-8	1	Support Plate
29	345213-9	1	Slide Plate	75	689116-0	1	Heat Sink
30	911225-0	2	P.H. Screw M5X16	76	911006-2	1	P.H. Screw M3X8
31	341462-6	1	Plate	77	417790-2	1	Stopper
32	214169-6	1	Plane Bearing 14	78	417789-7	1	Lock Off Button
33	443070-0	1	Plate 12X16	79	231469-9	1	Compression Spring 4
34	911228-4	2	P.H. Screw M5X18	80	232198-7	1	Leaf Spring
35	911228-4	2	P.H. Screw M5X18	81	417788-9	1	Speed Change Lever
36	153371-5	1	Gear Housing Cover Com. (Includes 213177-4 - Dust Seal 14)	82	643990-0	1	Brush Holder
37	212001-8	1	Needle Bearing 708	83	417783-9	1	Motor Housing
38	265906-1	1	Hex. Socket Head Bolt M6X18	85	643949-7	1	Brush Holder R
39	153373-1	1	Crank Shaft Com.	86	191976-3	2	Carbon Brush CB-432 (2pcs/Set)
40	257251-8	1	Ring 21	87	643941-3	2	Brush Holder Cap
41	313109-2	1	Counter Weight	88	417787-1	2	Bumper
42	345215-5	1	Plate	89	819063-3	2	Makita Label
43	251372-8	4	+ Countersunk Head Screw M5X12	91	417921-3	1	Gasket
44	345216-3	1	Guide Plate	100	654037-5	2	Insulated Terminal RBV1.25-3.5
45	266210-1	1	Hex. Socket Head Bolt M10X18	101	654208-4	2	Receptacle
46	153372-3	1	Gear Com.	102	652038-7	2	P.H. Screw M3X8

Item No.	Part No.	No. Used	Description	Item No.	Part No.	No. Used	Description
<b>Accessories</b>				A03	DC24SA	1	24V Fast Charger DC24SA
A01	-----	1	Recipro Saw Blade (See Catalogue for Details)	A04	193689-2	1	Battery Adaptor BAP24
	193572-3	1	Recipro Saw Blade Set (3pcs)	A05	824659-7	1	Plastic Carrying Case (Includes Item A06)(Photo not Available)
A02	193128-2	1	24V Ni-MH Battery B2417 (1.7Ah)	A06	417075-6	2	Latch
	193131-3	1	24V Ni-MH Battery B2430 (3.0Ah) (Option)	A07	193208-4	1	Refreshing Adaptor ADP02

### **REPAIR TOOL**

- 1R030 - Bearing Setting Pipe 25 - 17.2 [Assembling Dust Seal 14 on Gear Hsg Cover (Item 36)]
- 1R247 - Round Bar for Arbor 20-100 (Lock Crankshaft when disassembling Gear Section)
- 1R269 - Bearing Extractor (Remove Ball Bearing 6001DDW from Armature) (Special Order Item)
- 1R291 - Snap Ring Plier [Take off Retaining Ring S-18 (Item 3)]