

Item No.	Type	Sub	Part No.	Description	Q'ty	Unit
1			163451-9	SHOE	1	PC.
2			424046-6	INSULATION COVER	1	PC.
3			424147-0	* PROTECTOR	1	PC.
4			257952-8	RETAINING RING (EXT) 18	1	PC.
5			310285-3	* DRIVING SLEEVE	1	PC.
6			256492-3	SHOULDER PIN 5	1	PC.
7			233345-3	COMPRESSION SPRING 6	1	PC.
8			268094-3	PIN 3	1	PC.
9			331720-8	GUIDE SLEEVE	1	PC.
10			256158-5	PIN 3	1	PC.
11			417791-0	DRIVING SLEEVE GUIDE	1	PC.
12			418311-3	SLEEVE	1	PC.
13			345214-7	PUSH PLATE	1	PC.
14			233025-1	COMPRESSION SPRING 2	1	PC.
15			231687-9	TORSION SPRING 17	1	PC.
16			213151-2	OIL SEAL 14	1	PC.
17			213174-0	X RING 14	1	PC.
18			154813-2	GEAR HOUSING COVER COMPLETE	1	PC.
		INC.		Item No. 16 & 17		
19			418806-6	CAP	1	PC.
21			911243-8	P.H. SCREW M5X25	4	PC.
22			232221-8	LEAF SPRING A	1	PC.
23			162236-0	SHIFT BUTTON	1	PC.
24			421946-1	SEAL RING	1	PC.
25			345480-6	SLIDE PLATE	1	PC.
26			214170-1	PLANE BEARING 14A	1	PC.
27			341462-6	PLATE	1	PC.
28			911225-0	P.H. SCREW M5X16	2	PC.
29	1		154788-5	SLIDER COMPLETE	1	PC.
	2		168405-1	SLIDER COMPLETE	1	PC.
30			214170-1	PLANE BEARING 14A	1	PC.
31			341462-6	PLATE	1	PC.
32			911225-0	P.H. SCREW M5X16	2	PC.
33			265148-7	TORX SOCKET HEAD SCREW M5X14	2	PC.
34			344795-8	PLATE C	1	PC.
35			265148-7	TORX SOCKET HEAD SCREW M5X14	2	PC.
36			344795-8	PLATE C	1	PC.
37	1		212001-8	NEEDLE BEARING 708 (Material of Cage Plastic)	1	PC.
	2		212959-1	NEEDLE BEARING 708 (Material of Cage Metal)	1	PC.
38			125423-2	GEAR ASS'Y	1	PC.
		INC.		Item No. 39		
39			212080-6	NEEDLE BEARING 1012	1	PC.
40			253797-2	FLAT WASHER 14	1	PC.
41			232222-6	LEAF SPRING B	1	PC.
42			345479-1	SHOE GUIDE	1	PC.
43			265165-7	TORX SOCKET C.S.HEADSCREW M6X16	1	PC.
44			266041-8	TAPPING SCREW 5X25	4	PC.
45			154812-4	GEAR HOUSING COM.	1	PC.
54			961052-5	RETAINING RING S-12	1	PC.
55			210102-6	BALL BEARING 6001DDW	1	PC.
56			961016-9	STOP RING E-10	1	PC.
57			911225-0	P.H. SCREW M5X16	2	PC.
58			285726-7	BEARING RETAINER 63	1	PC.
59			241869-5	FAN 55	1	PC.
60			519176-7	ARMATURE ASS'Y 18V	1	PC.
		INC.		Item No. 59 & 61		
61			210062-2	BALL BEARING 607ZZ	1	PC.
62			450176-7	BAFFLE PLATE	1	PC.
63	1		638571-3	YOKE UNIT	1	PC.
	2		632H52-7	YOKE UNIT	1	PC.
65			158391-4	MOTOR HOUSING COM.(BLUE)	1	PC.
		INC.	810201-0	CAUTION LABEL	1	PC.

Item No.	Type	Sub	Part No.	Description	Q'ty	Unit
65A			158436-8	MOTOR HOUSING COM(WHITE)	1	PC.
		INC.	810201-0	CAUTION LABEL		
66			266292-3	TAPPING SCREW 4X65	2	PC.
67			643829-7	BRUSH HOLDER CAP	2	PC.
68	1		194435-6	CARBON BRUSH CB-441, 2PC/SET, W/O ORIGIN - N/L/A	1	SET
	2		195022-4	CARBON BRUSH CB-441, 2PC/SET, W/ORIGIN	1	SET
69			643827-1	BRUSH HOLDER	1	PC.
70			862357-5	NAME PLATE F/BJR182	1	PC.
71	1		188366-9	HANDLE SET(BLUE)	1	PC.
	2		187208-4	* HANDLE SET(BLUE)	1	PC.
	3		183D93-7	* HANDLE SET(BLUE)	1	PC.
71A	1		188367-7	HANDLE SET(WHITE)	1	PC.
	2		187209-2	HANDLE SET(WHITE)	1	PC.
72	1		643812-4	* TERMINAL, BLACK	1	PC.
	2		643838-6	* TERMINAL	1	PC.
	3		643859-8	* TERMINAL	1	PC.
	4		644808-8	* TERMINAL	1	PC.
74	1		650595-9	* SWITCH C3HZ-1A-T2M	1	PC.
	2		650648-4	SWITCH C3HZ-1A-T2MS	1	PC.
	3		650750-3	SWITCH C3HA-Z1A-T2MS	1	PC.
76			450177-5	LOCK OFF BUTTON	1	PC.
78			643826-3	BRUSH HOLDER	1	PC.
79			911006-2	P.H. SCREW M3X8	1	PC.
80			689116-0	HEAT SINK	1	PC.
81			266326-2	TAPPING SCREW 4X18	6	PC.
100			195929-4	BLADE CLAMP KIT	1	PC.
		INC.		Item No. 3-15	1	PC.

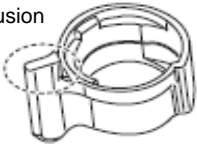
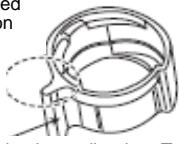

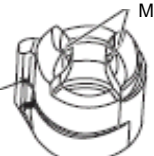
ACCESSORIES

- See catalogue or visit www.makita.ca for more optional accessories -

A01	1		193572-3	RECIPRO SAW BLADE 3PC/SET - N/L/A	1	SET
	2		194068-7	RECIPRO SAW BLADE 2PC/SET	1	SET
A02	1		DC18RA	CHARGER DC18RA	1	PC.
	2		DC18RC	CHARGER DC18RC	1	PC.
			DC18SD	CHARGER DC18SD	1	PC.
			DC18SE	AUTOMOTIVE CHARGER DC18SE	1	PC.
			DC18RAKIT	CHARGER + BATTERY (DC18RA + BL1830)	1	SET
			DC24SC	CHARGER F/7.2 - 24V, 1.3 - 3.3 AH BATTERY	1	PC.
A03			194205-3	18V LI-ION BATTERY BL1830	1	PC.
			194230-4	18V LI-ION BATTERY BL1830, 2/PK	1	PK
			194288-3	18V LI-ION BATTERY BL1830, 10/PK	1	PK
A04			450128-8	BATTERY COVER F/LI-ION	1	PC.
A05			194649-7	BATTERY PROTECTOR (BL1430, BL1830)	1	PC.
A06	1		824818-3	PLASTIC CARRYING CASE	1	PC.
		INC.	163455-1	LATCH	2	PC.
	2		141357-1	PLASTIC CARRYING CASE COMPLETE	1	PC.
		INC.	163455-1	LATCH	2	PC.
			821007X	TOOL BAG (BJR182X)	1	PC.

SERVICE CHANGES

1. Changes on Driving Sleeve & Protector

Item No.	Description	Type 1	Type 2
5	Driving Sleeve	310160-3	310285-3
3	Protector	421894-4	424147-0
	Driving Sleeve	Protrusion 	Eliminated Protrusion  This portion is smaller than Type1
	Protector		 Making for distinction This portion is smaller than Type1

Above parts are completely interchangeable as a set.

2. Changes on Switch, Terminal and Housing Set (Battery Protection Circuit)

(T/I# 84907)

(T/I# 92433)

(T/I# A0105)

Item No.	Description	Type 1	Type 2	Type 3	Type 4
74	Switch		650595-9		650648-4
72	Terminal	643812-4	643838-6	643859-8	644808-8
71	Handle Set Blue		188366-9		187208-4
71A	Handle Set White		188367-7		187209-2

Above parts are completely interchangeable as a set.

Service Note:

- Use TYPE 3 parts for repair of the model manufactured on or after August 2011 with using Yellow lead wire between Switch and Terminal.
- Use TYPE 1-2 parts for repair of the model manufactured before August 2011 without using Yellow lead wire between Switch and Terminal.

**** See Technical Information #92433 for Wiring Diagram Change**