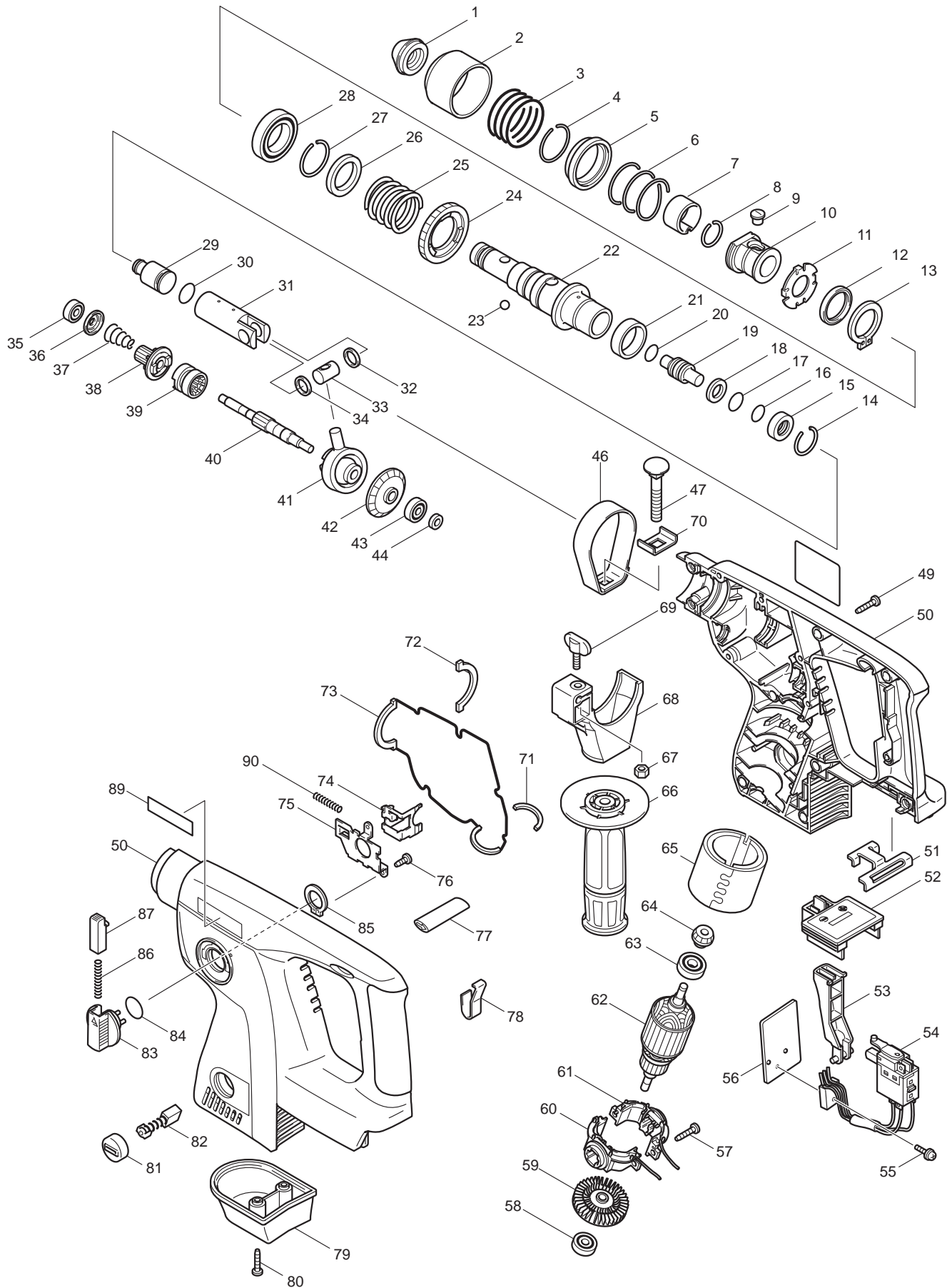




10 - 2011
BHR200SJE
24V ROTARY HAMMER KIT



Item	Type	Sub	Part No.	Description	Qty	Unit
1			286265-0	CAP 31	1	PC.
2			417299-4	CHUCK COVER	1	PC.
3			233203-3	COMPRESSION SPRING 38	1	PC.
4			231936-4	RING SPRING 30.5	1	PC.
5			323819-3	SPRING GUIDE	1	PC.
6			233234-2	COMPRESSION SPRING 35	1	PC.
7			232190-3	LEAF SPRING 26	1	PC.
8			231979-6	RING SPRING 17	1	PC.
9			256447-8	PIN 8	1	PC.
10			323820-8	CHUCK RING	1	PC.
11			344690-2	GUIDE WASHER	1	PC.
12			213360-3	OIL SEAL 25	1	PC.
13			961105-0	RETAINING RING S-25	1	PC.
14			231987-7	RING SPRING 21	1	PC.
15			323846-0	O RING CASE	1	PC.
16			213117-2	O RING 11	1	PC.
17			213125-3	O RING 12	1	PC.
18			257231-4	RING 12	1	PC.
19			324015-6	IMPACT BOLT	1	PC.
20			213124-5	O RING 12	1	PC.
21			214405-0	PLANE BEARING 26	1	PC.
22			324014-8	TOOL HOLDER	1	PC.
23			216022-2	STEEL BALL 7.0	1	PC.
24			227002-3	SPUR GEAR 49	1	PC.
25			233109-5	COMPRESSION SPRING 29	1	PC.
26			267132-8	FLAT WASHER 29	1	PC.
27			231962-3	RING SPRING 26	1	PC.
28			211377-0	BALL BEARING 6905LLB	1	PC.
29			324016-4	STRIKER	1	PC.
30			213230-6	O RING 15	1	PC.
31			317380-0	PISTON CYLINDER	1	PC.
32			267104-3	FLAT WASHER 12	1	PC.
33			324017-2	PISTON JOINT	1	PC.
34			267104-3	FLAT WASHER 12	1	PC.
35			211012-0	BALL BEARING 606ZZ	1	PC.
36			344905-7	CUP WASHER 6	1	PC.
37			231999-0	CONICAL COMP. SPRING 7-14	1	PC.
38			226399-7	SPUR GEAR 10	1	PC.
39			323988-0	CLUTCH CAM	1	PC.
40			324018-0	CAM SHAFT	1	PC.
41	1		219013-2	SWASH BEARING 10	1	PC.
	2		219014-0	SWASH BEARING 10	1	PC.
42			226792-5	ZEROL BEVEL GEAR 32	1	PC.
43			210022-4	BALL BEARING 626DDW	1	PC.
44			257235-6	RING 6	1	PC.
46			344901-5	GRIP SPRING 50	1	PC.
47			266250-9	CUP SQUARE NECK BOLT M8X50	1	PC.
49			265995-6	TAPPING SCREW 4X18	14	PC.
50	1		183247-2	* HOUSING SET - N/L/A	1	SET
	2		183393-1	* HOUSING SET - N/L/A	1	SET
		INC.		Item No. 89		
	3		183891-5	* HOUSING SET	1	SET
		INC.		Item No. 89		
51			344898-8	SUPPORT PLATE	1	PC.
52			643955-2	TERMINAL	1	PC.
53			417291-0	SWITCH LEVER	1	PC.
54			651990-6	SWITCH TG523BFSB-1	1	PC.

Item	Type	Sub	Part No.	Description	Qty	Unit
55			911006-2	PAN HEAD SCREW M3X8	1	PC.
56			689099-4	HEAT SINK	1	PC.
57			265995-6	TAPPING SCREW 4X18	2	PC.
58			210022-4	BALL BEARING 626DDW	1	PC.
59			240037-7	FAN 44	1	PC.
60			643963-3	BRUSH HOLDER	1	PC.
61			643964-1	BRUSH HOLDER	1	PC.
62	1		519060-6	* ARMATURE ASS'Y	1	PC.
		INC.		Item No. 58,59,63		
	2		519066-4	* ARMATURE ASS'Y 24V	1	PC.
		INC.		Item No. 58,59,63		
63			210024-0	BALL BEARING 608LLU	1	PC.
64			226793-3	ZEROL BEVEL GEAR 11	1	PC.
65			632828-4	YOKE UNIT	1	PC.
66			152624-9	GRIP 36 COMPLETE	1	PC.
67			931202-6	HEX. NUT M5	1	PC.
68			417294-4	GRIP BASE	1	PC.
69			265720-5	THUMB SCREW M5X14	1	PC.
70			344902-3	PLATE	1	PC.
71			421750-8	SEAL RING B	1	PC.
72			421749-3	SEAL RING A	1	PC.
73			421748-5	SEAL RING	1	PC.
74			344899-6	CHANGE PLATE	1	PC.
75	1		344900-7	* GUIDE PLATE	1	PC.
	2		345457-1	* GUIDE PLATE	1	PC.
76			266020-6	TAPPING SCREW 4X12	2	PC.
77			417292-8	F/R CHANGE LEVER	1	PC.
78			344903-1	VIBRATION ISOLATOR PLATE	1	PC.
79			417297-8	FOOT	1	PC.
80			265995-6	TAPPING SCREW 4X18	2	PC.
81			643941-3	BRUSH HOLDER CAP	2	PC.
82	1		191971-3	CARBON BRUSH CB-430 2PC/SET W/O ORIGIN - N/L/A	1	SET
	2		195018-5	CARBON BRUSH CB-430 2PC/SET W/ ORIGIN	1	SET
83			417293-6	CHANGE LEVER	1	PC.
84			213265-7	O RING 17	1	PC.
85			961078-7	RETAINING RING (EXT) S-18	1	PC.
86			233279-0	COMPRESSION SPRING 4	1	PC.
87			417298-6	LOCK BUTTON	1	PC.
89			819063-3	MAKITA LABEL	1	PC.
90			233278-2	COMPRESSION SPRING 5	1	PC.
91			685730-0	SPONGE	1	PC.
92			345458-9	* STOPPER PLATE (Added)	1	PC.
93			345456-3	* SUB PLATE (Added)	1	PC.
94			231678-0	* TORSION SPRING 9 (Added)	1	PC.
95			911110-7	* PAN HEAD SCREW M4X8 (Added)	1	PC.

ACCESSORIES

- See catalogue or visit www.makita.ca for more accessories information -

A01	1		181573-3	GREASE VESSEL 93G - N/L/A	1	PC.
	2		194683-7	GREASE VESSEL, 100CC	1	PC.
A02			321144-6	DEPTH GAUGE	1	PC.
A03	2		152790-2	PLASTIC CARRYING CASE COMPLETE	1	PC.
		INC.	416401-6	LATCH	2	PC.
	3		824613-1	PLASTIC CARRYING CASE - N/L/A	1	PC.
		INC.	417075-6	LATCH	2	PC.
	4		153526-2	PLASTIC CARRYING CASE	1	PC.
		INC.	417152-4	LATCH	2	PC.
A04A			193740-8	BATTERY BH2433 SET (BHR200SJE)	1	PC.

Item	Type	Sub	Part No.	Description	Qty	Unit
A05			DC24SC	CHARGER DC24SC	1	PC.
A06			134901-1	GRIP 36 ASS'Y	1	PC.
		INC.		Item No. 46,47,66-70		
A08			122823-7	1/2" KEYLESS DRILL CHUCK ATTACHMENT	1	PC.
		INC.	192892-2	1/2" KEYLESS DRILL CHUCK	1	PC.
		INC.	751106-4	CHUCK ADAPTOR	1	PC.
		INC.	251425-3	- FLAT HEAD SCREW M6X22	1	PC.
A09			122574-2	1/2" DRILL CHUCK ATTACHMENT, SDS-PLUS	1	PC.
		INC.	192877-8	1/2" DRILL CHUCK	1	PC.
		INC.	751106-4	CHUCK ADAPTOR	1	PC.
		INC.	251425-3	- FLAT HEAD SCREW M6X22	1	PC.
A10			763432-9	CHUCK KEY S13	1	PC.

SERVICE CHANGES

1. Changes on Housing and Armature

(T/I# 62506)

(T/I# 71250)

Item No.	Description	Type 1	Type 2	Type 3
50	HOUSING SET	183247-2	183393-1 (W/ Label)	183891-5 (W/ Label)
62	ARMATURE	519060-6		519066-4
75	GUIDE PLATE		344900-7	345457-1
92	STOPPER PALTE		-	345458-9
93	SUB PLATE		-	345456-3
94	TORSION SPRING		-	231678-0
95	PH SCREW		-	911110-7

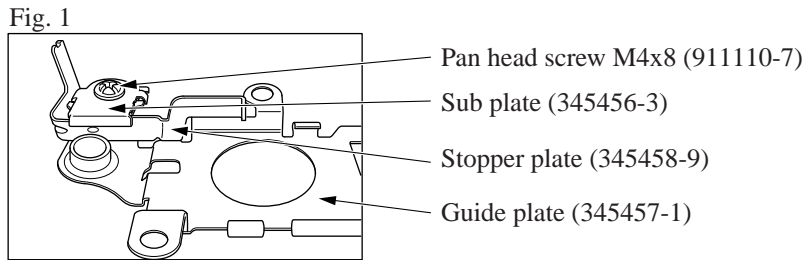
Above parts are completely interchangeable as a set.

*See next page for instruction

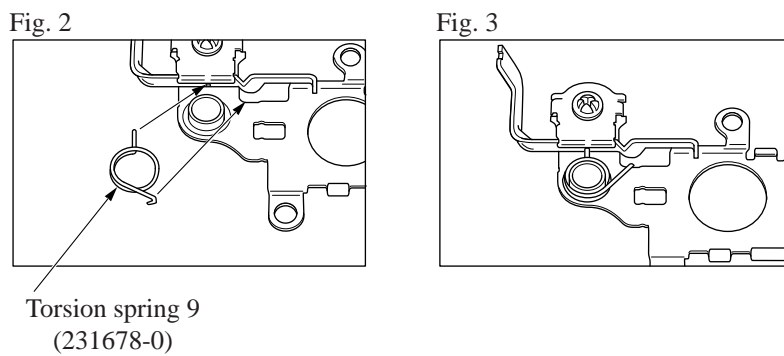
Steps to replace the relevant parts

Remove Guide plate, Change plate and Compression spring 4 from machine in advance.

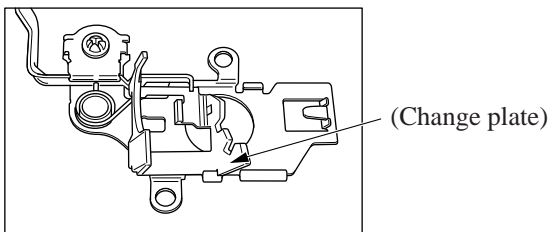
- 1) After putting Stopper plate on the new Guide plate, hold them with Sub plate by screwing M4x8 Pan head screw as Fig. 1.



- 2) Insert Torsion spring 9 into the hole of stopper plate as Fig. 2, and then hook it on Guide plate as Fig. 3.



- 3) Put Change plate between Stopper plate and Guide plate.



- 4) See Fig. 4.

Pre-set Change lever to "Hammer mode", and then secure them with two 4x12 Tapping screws.

Hook compression spring 4 on Guide plate and Change plate.

Shift Change lever to "Hammer drill mode" so that Change plate does not come out of place.

