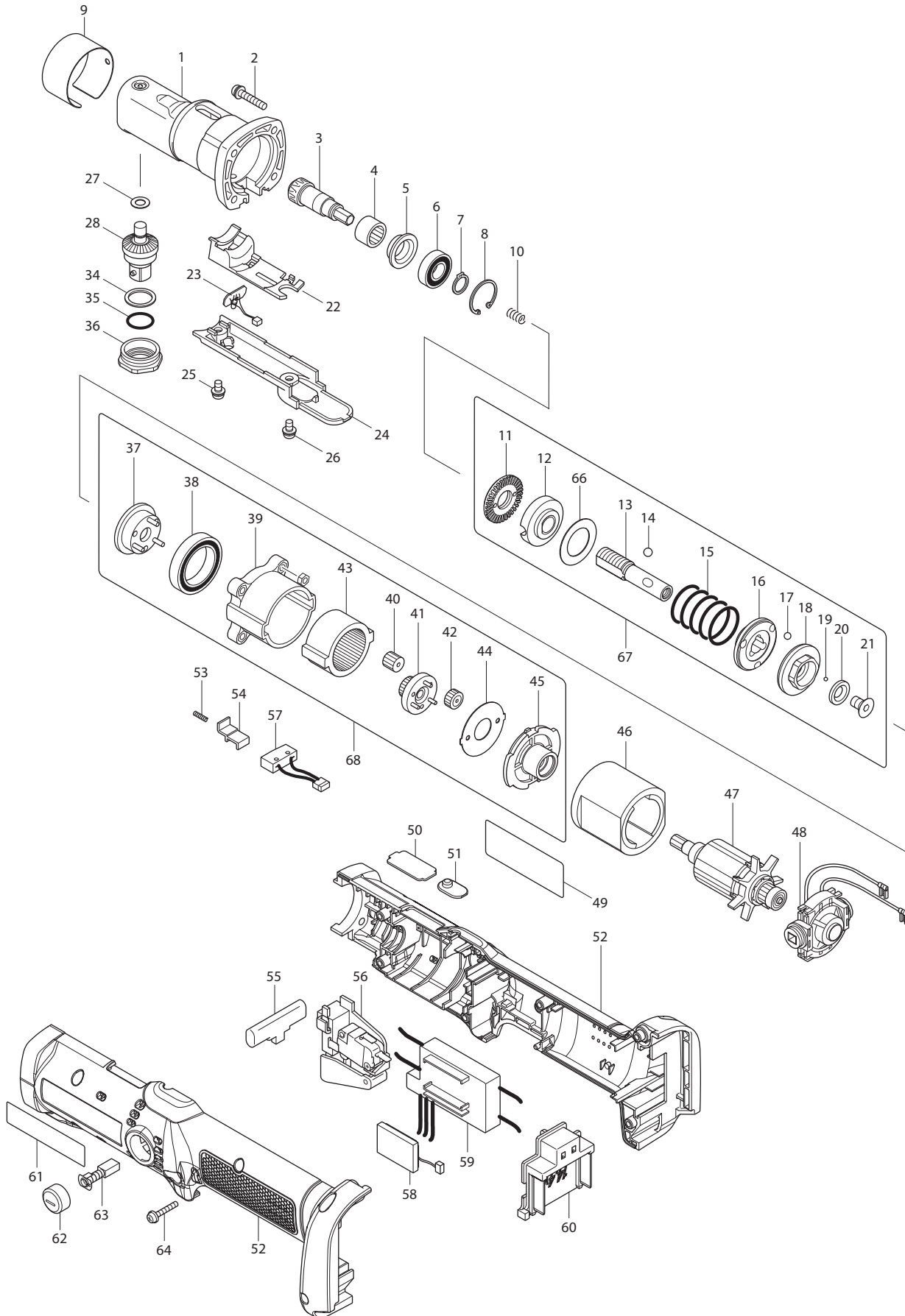




05 - 2012  
BFL202FZ  
14.4V ANGLE WRENCH



Item No.	Type	Sub	Part No.	Description
1			154494-2	ANGLE HEAD COMPLETE
2			265145-3	+ PAN HEAD SCREW M4X22
3			227469-5	SPIRAL BEVEL GEAR 9
4			212123-4	NEEDLE BEARING 1210
5			345281-2	SPACER
6			210057-5	BALL BEARING 6900LLB
7			961026-6	RETAINING RING S-10
8			962112-6	RETAINING RING R-22
9			345287-0	RING 38C
10			233019-6	COMPRESSION SPRING 5
11			324834-0	LOCK NUT M12
12			158408-3	ADJUST RING COMPLETE
13			324296-2	SPINDLE
14			216018-3	STEEL BALL 5.0
15			233358-4	COMPRESSION SPRING 19C
16			223140-9	CAM B
17			216024-8	STEEL BALL 4
18			223139-4	CAM A
19			216019-1	STEEL BALL 3
20			267247-1	FLAT WASHER 7
21			266305-0	TORX C.S HEAD SCREW M5X10
22			418011-5	LIGHT HOLDER
23			631513-6	LED CIRCUIT
24			418005-0	LIGHT COVER
25			265171-2	PAN HEAD SCREW M4X8
26			265171-2	PAN HEAD SCREW M4X8
27			253726-5	FLAT WASHER 6
28			154725-9	SPINDLE A COMPLETE
34			253842-3	FLAT WASHER 14
35			213162-7	O RING 14
36			285707-1	BEARING RETAINER 14-23
37			153444-4	CARRIER COMPLETE B
38			211375-4	BALL BEARING 6805LLB
39			418004-2	GEAR CASE
40			227052-8	SPUR GEAR 18
41			153448-6	SPUR GEAR 9 COMPLETE B
42			227051-0	SPUR GEAR 19
43			227048-9	INTERNAL GEAR 47
44			267774-8	LOCK WASHER
45			418003-4	MOTOR BRACKET
46			638183-2	YOKE UNIT
47			619318-4	ARMATURE
48			687138-4	ENDBELL COMPLETE
49			897732-6	BFL202F NAME PLATE
50			345284-6	PLATE C, 8 - 20Nm
51			419832-8	LENS
52			187487-4	HOUSING SET
52		INC.		Item No. 61
53			233025-1	COMPRESSION SPRING 2
54			418002-6	SWITCH LEVER
55			417511-2	F/R CHANGE LEVER
56			650536-5	SWITCH C3Z-5-01 SINGLE
57			638184-0	SWITCH UNIT
58			631514-4	BUZZER CIRCUIT
59			632A45-2	CONTROLLER UNIT
60			643828-9	TERMINAL
61			819284-7	MAKITA LOGO LABEL
62			643933-2	BRUSH HOLDER CAP
63			195020-8	CARBON BRUSH CB-434 2PC/SET W/ORIGIN
64			265095-2	PAN HEAD SCREW M3X20
66			267276-4	FLAT WASHER 18
67			125390-1	CLUTCH ASS'Y C

Item No.	Type	Sub	Part No.	Description
68		INC.	125192-5	Item No. 11-21,66 GEAR ASS'Y D
E01		INC.	800G78-3	Item No. 37-45 CAUTION LABEL FR/SP
C01			845604-9	CARTON F/BLF082FZ, BFL122FZ, BFL202FA

**ACCESSORIES**

A01			765027-4	TORQUE ADJUST TOOL
A02			194038-6	ANGLE HEAD SET
		INC.	154495-0	ANGLE HEAD COMPLETE
		INC.	210057-5	BALL BEARING 6900LLB
		INC.	212123-4	NEEDLE BEARING 1210
		INC.	227469-5	SPIRAL BEVEL GEAR 9
		INC.	345281-2	SPACER
		INC.	961026-6	RETAINING RING S-10
		INC.	962112-6	RETAINING RING R-22
		INC.	418031-9	ANGLE HEAD COVER
		INC.	265127-5	+ PAN HEAD SCREW M4X4
A03			418032-7	PROTECTOR(YELLOW)
			418064-4	PROTECTOR(BLUE)
			418065-2	PROTECTOR(RED)
			418066-0	PROTECTOR(CLEAR)
A04			194559-8	14.4V LI-ION BATTERY BL1415
			194066-1	14.4V LI-ION BATTERY BL1430
			194066-1	14.4V LI-ION BATTERY BL1430 2PK
			194397-8	14.4V LI-ION BATTERY BL1430 10PK
A05	1		DC18RA	CHARGER DC18RA
	2		DC18RC	CHARGER DC18RC
			DC18SD	CHARGER DC18SD
			DC24SC	CHARGER DC24SC
			DC18SE	AUTOMOTIVE CHARGER DC18SE
A06			193681-8	REFRESHING ADAPTOR ADP03
A08			195621-2	** ANTI KICK BACK HEAD SET (SPECIAL ORDER ITEM)
A09			453091-4	** PROTECTOR BLUE F/ANTI-KICK BACK HEAD SET
			453092-2	** PROTECTOR RED F/ANTI-KICK BACK HEAD SET
			453093-0	** PROTECTOR YELLOW F/ANTI-KICK BACK HEAD SET
			453094-8	** PROTECTOR CLEAR F/ANTI-KICK BACK HEAD SET

**\*\* Special Order Items**