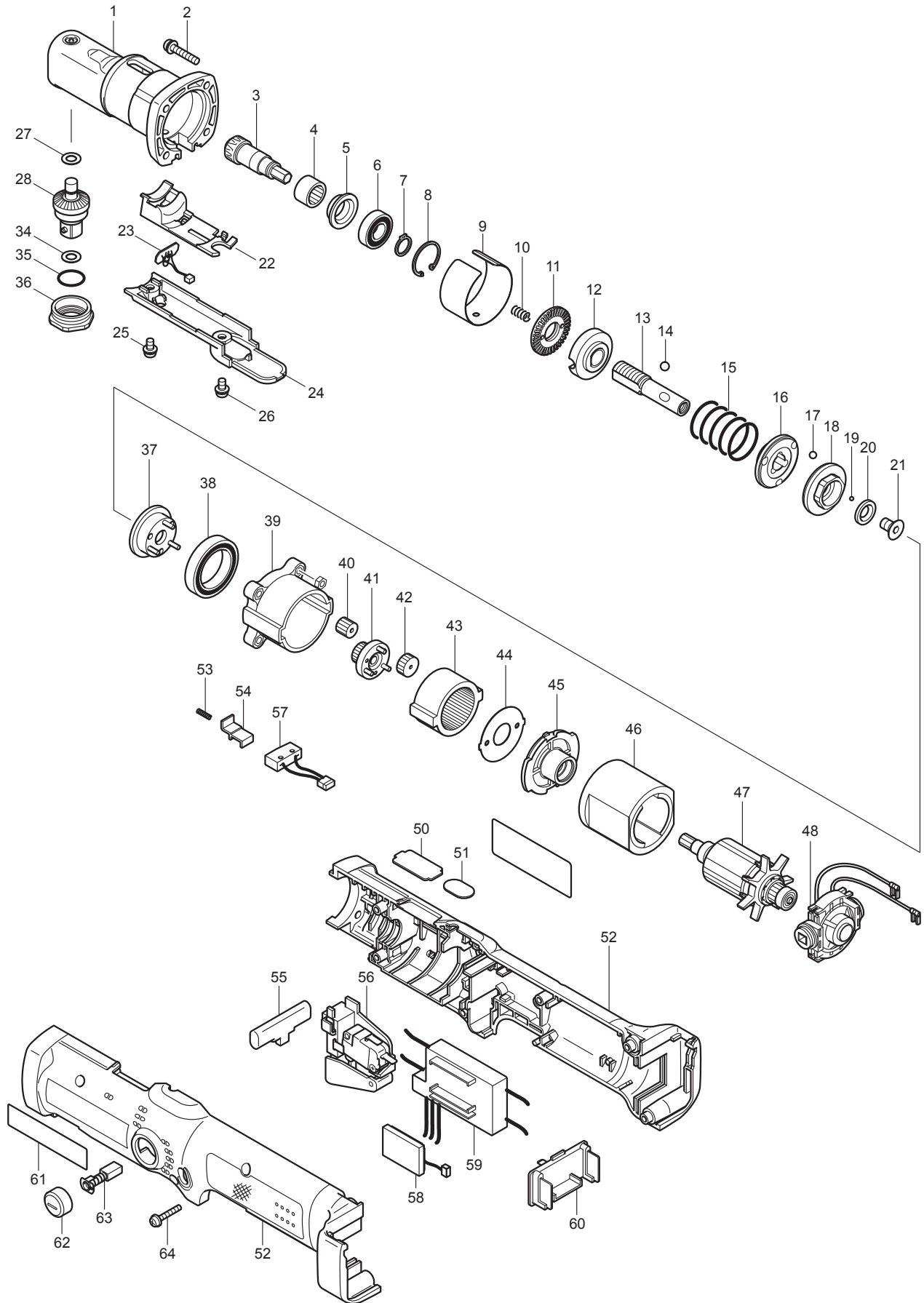




11 - 2011
BFL121FZ
12V 3/8" NUT RUNNER, 44.3-106in.lbs.



Item No.	Type	Sub	Part No.	Description	Qty	Unit
001		3	144082-3	* ANGLE HEAD COMPLETE	1	PC.
002		1	911143-2	PAN HEAD SCREW M4X22	4	PC.
		2	265145-3	+ PAN HEAD SCREW M4X22	4	PC.
003		2	227469-5	SPIRAL BEVEL GEAR 9	1	PC.
004			212123-4	NEEDLE BEARING 1210	1	PC.
005			345281-2	SPACER	1	PC.
006			210057-5	BALL BEARING 6900LLB	1	PC.
007			961026-6	RETAINING RING S-10	1	PC.
008			962112-6	RETAINING RING R-22	1	PC.
009			345286-2	RING 38B	1	PC.
010			233019-6	COMPRESSION SPRING 5	1	PC.
011		2	324834-0	LOCK NUT M12	1	PC.
012		2	158408-3	ADJUST RING COMPLETE	1	PC.
013			324296-2	SPINDLE	1	PC.
014			216018-3	STEEL BALL 5.0	3	PC.
015			233357-6	COMPRESSION SPRING 19B	1	PC.
016			223140-9	CAM B	1	PC.
017			216024-8	STEEL BALL 4	3	PC.
018			223139-4	CAM A	1	PC.
019			216019-1	STEEL BALL 3	13	PC.
020			267247-1	FLAT WASHER 7	1	PC.
021			266305-0	TORX C.S HEAD SCREW M5X10	1	PC.
022			418011-5	LIGHT HOLDER	1	PC.
023			631513-6	LED CIRCUIT	1	PC.
024			418005-0	LIGHT COVER	1	PC.
025		2	265171-2	PAN HEAD SCREW M4X8	1	PC.
026		2	265171-2	PAN HEAD SCREW M4X8	1	PC.
027			253726-5	FLAT WASHER 6	1	PC.
028		3	154725-9	SPINDLE A COMPLETE	1	PC.
034			253842-3	FLAT WASHER 14	1	PC.
035			213162-7	O RING 14	1	PC.
036		3	285030-4	* BEARING RETAINER 14-23	1	PC.
037			153443-6	CARRIER COMPLETE A	1	PC.
038			211375-4	BALL BEARING 6805LLB	1	PC.
039			418004-2	GEAR CASE	1	PC.
040			227050-2	SPUR GEAR 13	3	PC.
041			153446-0	SPUR GEAR 20 COMPLETE	1	PC.
042			227051-0	SPUR GEAR 19	3	PC.
043			227048-9	INTERNAL GEAR 47	1	PC.
044			267774-8	LOCK WASHER	1	PC.
045			418003-4	MOTOR BRACKET	1	PC.
046			638183-2	YOKE UNIT	1	PC.
047			619095-8	ARMATURE	1	PC.
048			687138-4	ENDBELL COMPLETE	1	PC.
049			853881-9	NAME PLATE F/BFL121F	1	PC.
050		2	345406-8	PLATE J, 5 - 11.5Nm	1	PC.
051			418001-8	LENS	1	PC.
052			183510-3	HOUSING SET	1	SET
		INC.		Item No. 61		
053			233025-1	COMPRESSION SPRING 2	1	PC.

Item No.	Type	Sub	Part No.	Description	Qty	Unit
054			418002-6	SWITCH LEVER	1	PC.
055			417511-2	F/R CHANGE LEVER	1	PC.
056			650536-5	SWITCH C3Z-5-01	1	PC.
057	1		638184-0	SWITCH UNIT	1	PC.
058			631514-4	BUZZER CIRCUIT	1	PC.
059	2		638963-6	CONTROLLER UNIT	1	PC.
060			643983-7	TERMINAL	1	PC.
061			819003-1	MAKITA LABEL	1	PC.
062			643933-2	BRUSH HOLDER CAP	2	PC.
063	2		195020-8	CARBON BRUSH CB-434 2PC/SET (W/ ORIGIN)	1	SET
064	2		265095-2	PAN HEAD SCREW M3X20	6	PC.
066			125191-7	GEAR ASS'Y C	1	PC.
		INC.		Item No. 37-45		
067	3		125389-6	CLUTCH ASS'Y B	1	PC.
		INC.	267276-4	FLAT WASHER 18	1	PC.
		INC.		Item No. 11-21		

ACCESSORIES

- See catalogue or visit www.makita.ca for more optional accessories -

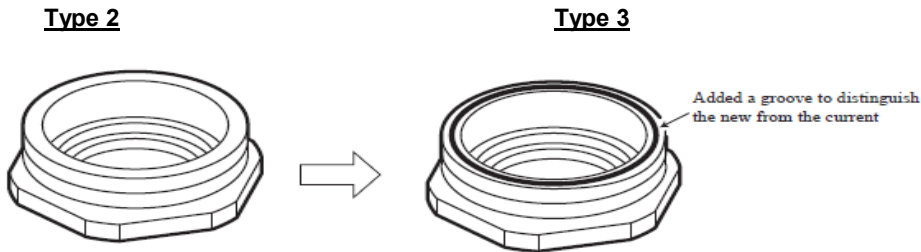
A01	1		765025-8	TORQUE ADJUST TOOL	1	PC.
	2		765027-4	TORQUE ADJUST TOOL	1	PC.
A02			193928-0	12V Ni-MH BATTERY BH1220C	1	PC.
			193930-3	12V Ni-MH Battery BH1233C	1	PC.
A03			DC24SC	CHARGER DC24SC	1	PC.
A04			418032-7	PROTECTOR (YELLOW)	1	PC.
			418064-4	PROTECTOR (BLUE)	1	PC.
			418065-2	PROTECTOR (RED)	1	PC.
			418066-0	PROTECTOR (NON COLOR)	1	PC.
A05			193208-4	AUTO REFRESH ADAPTOR ADP02	1	PC.
			193681-8	AUTO REFRESH ADAPTOR ADP03	1	PC.

SERVICE CHANGES

1. Changes on Angle Head Complete & Bearing Retainer

Item No.	Description	Type 1	Type 2	Type 3
1	Angle Head Complete	154494-2	(TI#B3611)	(TI#B5568) 144082-3
36	Bearing Retainer 14-23	285707-1	285026-5(N/A)	285030-4

Above parts are completely interchangeable as a set.



2. Changes on Wiring Diagram - See Technical Information #92302