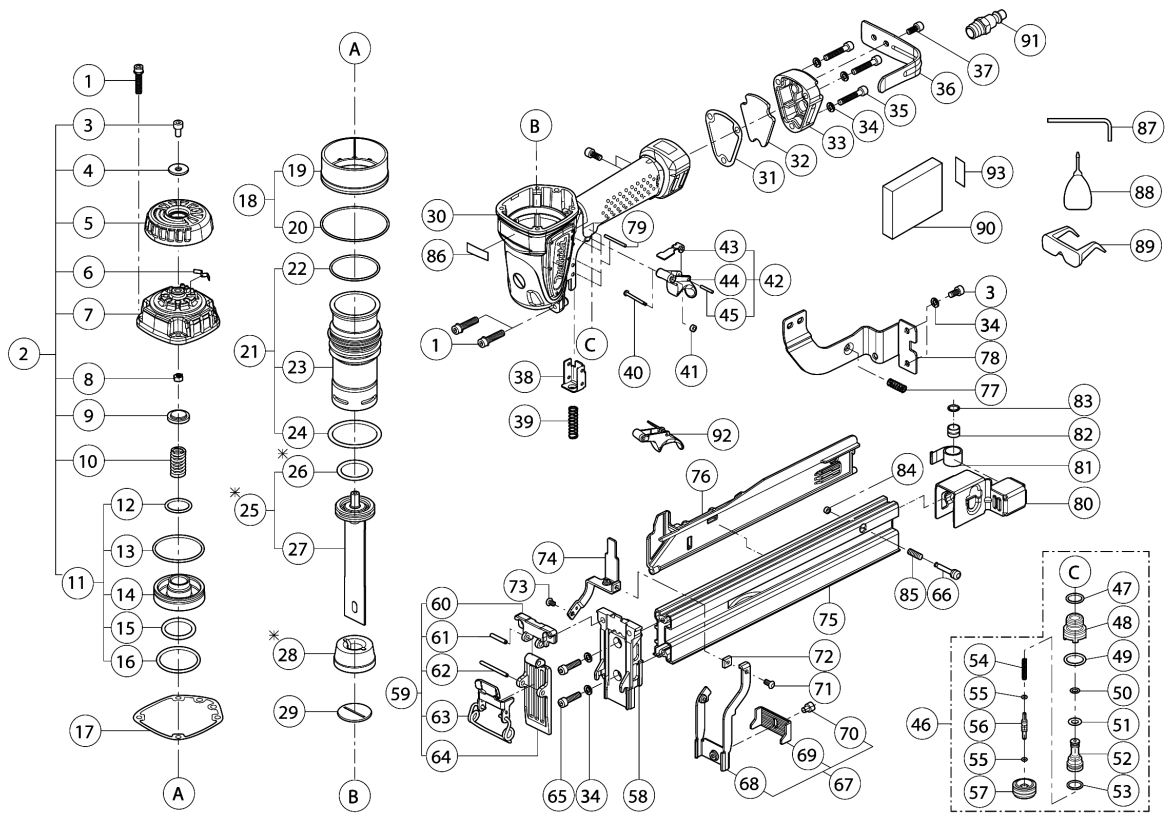




10 - 2010
AT2550A
1" WIDE CROWN STAPLER 16G



Item No	Type	Ref	Part No	Description	Qty	Unit
001			B0000-0301	SCREW SET 5x25	2	PC.
002			B0300-3471	TOP CAP SET	1	SET
003			A0000-1131	SCREW 5x10	1	PC.
004			A0005-1271	FLAT WASHER	1	PC.
005			A0304-0611	EXHAUST COVER	1	PC.
006			A0105-0081	LEAF SPRING	1	PC.
007			A0301-1231	TOP CAP	1	PC.
008			A0004-0001	HEX. NUT M5	1	PC.
009	2		424010-7	SEAL AIR	1	PC.
010			A0100-2391	COMPRESSION SPRING	1	PC.
011	2		K0300-3441	DISC VALVE SET	1	SET
012			A0200-2121	O-RING 20.8x2.4	1	PC.
013			A0200-1701	O-RING 47.3x2.62	1	PC.
014			A0308-0591	DISC VALVE	1	PC.
015			A0200-4131	O-RING 30x4	1	PC.
016			A0200-4121	O-RING 41.7x3.5	1	PC.
017			A0205-0581	TOP CAP GASKET	1	PC.
018			B0300-3481	SPACER SET	1	SET
019			A0800-0871	SPACER "POM"	1	PC.
020			A0200-3941	O-RING 60.8x2	1	PC.
021			B0300-3491	CYLINDER SET	1	SET
022			A0200-2231	O-RING 45x2	1	PC.
023			A0303-0841	CYLINDER	1	PC.
024			A0200-3821	O-RING 44.7x3.5	1	PC.
025			B0600-1841	PISTON UNIT	1	SET
026			A0200-3981	O-RING 30.7x3.5	1	PC.
027			B0600-4251	DRIVER COMPLETE	1	SET
028			A0309-0701	BUMPER	1	PC.
029			A0310-0681	NOZZLE	1	PC.
030			K0400-0651	HOUSING COMPLETE	1	PC.
		INC.	A0401-1621	MAIN BODY	1	PC.
		INC.	A0204-1391	GRIP	1	PC.
		INC.	A0919-4721	CAUTION LABEL	1	PC.
030A	2		A0316-0301	HOUSING BUMPER R	1	PC.
030B	2		A0316-0291	HOUSING BUMPER L	1	PC.
031			A0205-0551	INLET CAP GASKET	1	PC.
032			A0203-0151	INLET FILTER	1	PC.
033			A0306-0811	INLET CAP	1	PC.
034			A0005-0031	WASHER #5x1.2t	7	PC.
035			A0000-0161	SCREW 5x30	3	PC.
036			A0316-0311	HOOK	1	PC.
037			A0000-0061	SCREW 5x12	3	PC.
038			A0712-1421	HOLDER	1	PC.
039			A0100-2371	SPRING	1	PC.
040			A0006-0732	TRIGGER PIN	1	PC.
041			A0005-0311	PIN RETAINER 5.5x2	1	PC.
042	3		K0500-2851	TRIGGER ASS'Y(DUAL-ACTION)	1	SET
		INC.		Item No. 43 - 45		
043			A0501-0551	TRIGGER, INNER	1	PC.
044	2		A0500-1461	TRIGGER	1	PC.
045			A0011-0251	SPRING PIN 2.5x16	1	PC.
046	2		K0500-1351	TRIGGER VALVE SET	1	SET
		INC.		Item No. 47 - 57		
047			A0200-2111	O-RING 13.8x1.9	1	PC.
048			A0503-0391	TRIGGER VALVE GUIDE "POM"	1	PC.
049			A0200-2071	O-RING 17.8x1.9	1	PC.

Item No	Type	Ref	Part No	Description	Qty	Unit
050			A0200-4061	O-RING 5.5x1.8	1	PC.
051			A0200-2471	O-RING 7.59x2.62	1	PC.
052			A0504-0641	PILOT VALVE	1	PC.
053			A0200-4071	O-RING 12.1x1.7	1	PC.
054			A0100-1301	COMPRESSION SPRING	1	PC.
055			A0200-3891	O-RING 2.5x1.5	2	PC.
056			A0504-0621	TRIGGER VALVE STEM	1	PC.
057			A0503-0671	TRIGGER VALVE CASE	1	PC.
058			A0713-0811	DRIVER GUIDE	1	PC.
059	1		B0700-5131	DRIVER GUIDE COVER SET	1	SET
	2		K0700-5131	DRIVER GUIDE COVER SET	1	SET
060			A0719-0981	STOPPER	1	PC.
061			A0006-0671	PIN	1	PC.
062			A0011-0641	SPRING PIN 4x35	1	PC.
063			B0800-0351	CLICK LEVER SET	1	PC.
064			A0713-0821	DOOR	1	PC.
065			A0000-0091	SCREW 5x20	2	PC.
066			A0007-0631	RETAINER	1	PC.
067	1		B0700-5121	CONTACT ARM SET	1	SET
	2		K0700-5121	CONTACT ARM SET	1	SET
068			A0711-2411	CONTACT ARM	1	PC.
069			A0714-0501	SAFETY ELEMENT	1	PC.
070			A0000-0331	SCREW 5x6	1	PC.
071			A0000-0591	BHSC SCREW 4x8	1	PC.
072			A0004-0381	SQUARE NUTS	1	PC.
073			A0000-0581	SCREW 4x6	1	PC.
074			A0711-2421	CONTACT ARM	1	PC.
075			K0700-5611	MAGAZINE COMPLETE	1	PC.
		INC.	A0702-0981	MAGAZINE	1	PC.
		INC.	A0919-5601	DECORATION LABEL	1	PC.
076			K0700-5581	MAGAZINE COVER COMPLETE	1	PC.
		INC.	A0700-2011	MAGAZINE COVER	1	PC.
		INC.	A0919-5571	CAUTION LABEL	1	PC.
		INC.	A0919-5561	CAUTION LABEL	1	PC.
		INC.	A0919-5541	WARNING LABEL	1	PC.
077			A0100-0241	COMPRESSION SPRING	1	PC.
078			A0706-1531	SUPPORT	1	PC.
079			A0011-0151	SPRING PIN 3x28	4	PC.
080			A0707-1931	PUSHER	1	PC.
081			A0102-0151	SPRING	1	PC.
082			A0703-0271	SPRING GUIDE	1	PC.
083			A0200-0811	O-RING 11.8x1.5	1	PC.
084			A0005-0291	PIN RETAINER 6x2.9	1	PC.
085			A0100-2461	SPRING	1	PC.
086			A0919-5591	NAME PLATE (FOR USA&CAA)	1	PC.
<u>ACCESSORIES</u>			- See Catalogue or visit www.makita.ca for more accessories -			
087			A0913-0011	ALLEN WRENCH	1	PC.
088	2		181434-7	OIL SUPPLY 30CC	1	PC.
089			A0908-0171	SAFETY GOGGLES	1	PC.
090			A0902-1271	COLOR BOX AT2550A	1	PC.
092			K0500-1441	SEQUENTIAL TRIGGER SET	1	PC.
		INC.		Item No. 41, 44, 45 + other		
093			A0919-4761	SEALING LABEL (FOR USA&CAA)	1	PC.