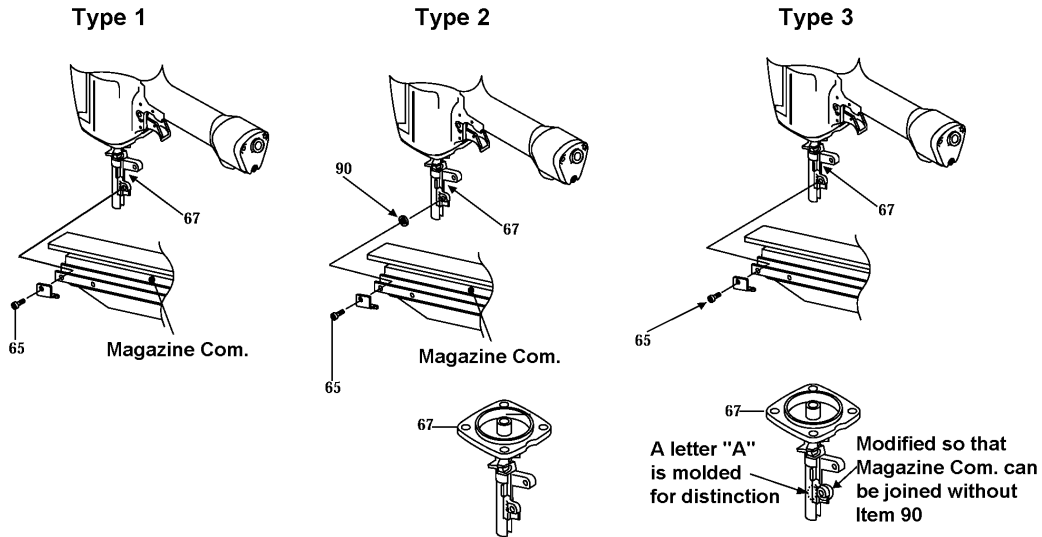


Item No.	Part No.	No. Used	Description	Item No.	Part No.	No. Used	Description
1	416892-1	1	Cylinder Separator	50	951075-1	1	Spring Pin 3-28
2	213809-3	1	O Ring 87	51	310085-1	1	Stopper
3	213668-5	1	O Ring 60	52	951060-4	1	Spring Pin 3-14
4	331548-4	1	Cylinder	53	310056-8	1	Adjuster
5	213667-7	1	O Ring 60	54	231978-8	1	Conical Compression Spring 9-16
6	421680-3	1	Cushion F	55	941101-4	2	Flat Washer 5
7	421687-9	1	Cushion Guide	56	265973-6	2	Hex Socket Head Bolt M5X20
8	233243-1	1	Compression Spring 50	57	165253-9	1	Joint
9	213504-5	1	O Ring 40	58	416898-9	1	Magazine Cap
10	213669-3	1	O Ring 56	59	151733-1	1	Magazine Com.
11	416891-3	1	Head Valve	60	266218-5	2	Hex Socket Head Bolt M6x10
12	421679-8	1	Valve Seat	61	344767-3	1	Nail Stopper
13	267742-1	1	Washer 34	62	922217-4	2	Hex Socket Head Bolt M5x14
14	421678-0	1	Cushion R	63	344769-9	1	Magazine Rail
15	213619-8	1	O Ring 49	64	344765-7	1	Holder
16	151619-9	1	Driver Com.	65	*	1	Hex Socket Head Bolt
17	265976-0	3	Hex Socket Head Bolt M5X10	66	213654-6	1	O Ring 60
18	344764-9	1	Exhaust Cover	67	*	1	Driver Guide
19	922342-1	4	Hex Socket Head Bolt M6X25	68	265469-7	4	Hex Socket Head Bolt M8X25
20	317168-8	1	Top Cap	69	233080-3	1	Compression Spring 8
21	162209-3	1	Top Cap Gasket	70	344774-6	1	Contact Arm
23	151732-3	1	Housing Com. (Includes 421527-1 - Grip, 421643-9 - Housing Bumper R & 421644-7 - Housing Bumper L)	71	421418-6	1	Rubber Pin 9.5
24	961011-9	1	Stop Ring E-4	72	266218-5	1	Hex Socket Head Bolt M6X10
25	951075-1	2	Spring Pin 3-28	73	265962-1	1	Hex Socket Head Bolt M6X20
26	162208-5	1	Lock Pin 6	74	253058-0	1	Flat Washer 7
27	231236-2	1	Compression Spring 3	75	417614-2	1	Cover (Old 416893-9)
28	216008-6	1	Steel Ball 4	76	267743-9	1	Shoulder Washer 6
29	162210-8	1	Inlet Cap Gasket	77	344766-5	1	Holder
30	416890-5	1	Inlet Filter	78	163410-3	1	Spiral Spring Com.
31	317169-6	1	Inlet Cap	79	414639-7	1	Spring Guide
32	286221-0	1	Cap 15	80	256428-2	1	Pin 5-8
33	922252-2	3	Hex Socket Head Bolt M5x30	81	262054-7	1	Utethane Ring 3
34	213176-6	1	O Ring 14	82	256760-4	1	Pin 4
35	*	1	Trigger Valve Guide (Old 416806-0)	83	416896-3	1	Pusher Lever
36	213262-3	1	O Ring 18	84	262054-7	1	Urethane Ring 3
37	213039-6	1	O Ring 6	85	344770-4	1	Lock Plate
38	213040-1	1	O Ring 8	86	231309-1	1	Compression Spring 5
39	*	1	Pilot Valve (Old 416804-4)	87	344772-0	1	Pusher
40	213122-9	1	O Ring 12	88	239038-2	1	Compression Spring 5
41	233239-2	1	Compression Spring 3	89	256697-5	1	Pin 4
42	323852-5	1	Trigger Valve Stem	90	253726-5	1	Flat Washer 6
43	213044-3	2	O Ring 3 (Old 213034-6) (2pcs should be changed at the same time)				Accessories
44	*	1	Trigger Valve Case	A01	191686-A	1	Safety Glasses
45	344265-7	1	Idler	A02	181434-7	1	Oil Supply 30cc
46	258004-8	1	Spring Pin 2.5-16	A03	421677-2	1	Nose Adapter
47	415790-6	1	Trigger	A04	-----	1	Nails (See Catalogue for Details)
48	951075-1	1	Spring Pin 3-28	A05	-----	1	Air Hose (See Catalogue for Details)
49	310084-3	1	Holder	A06	193006-6	1	First Aid Kit

* SEE SERVICE CHANGES

SERVICE CHANGES

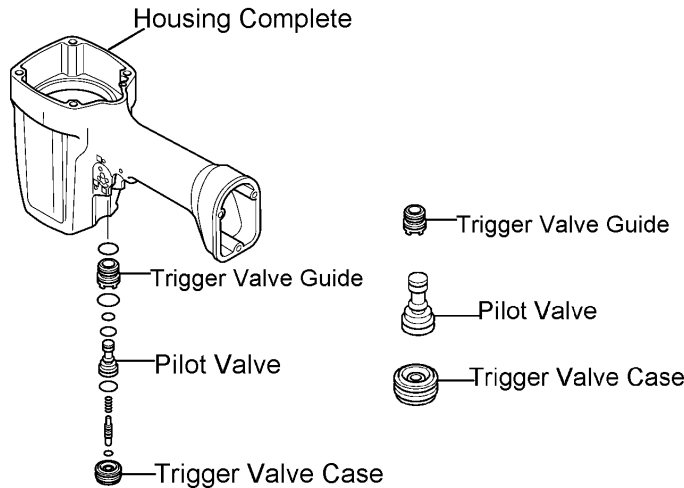
1. Change on Driver Guide etc.,



Item No.	Description	Type 1	Type 2	Type 3
65	Hex Socket Head Bolt	266218-5 (M6X10)	266157-9 (M6X12)	266218-5 (M6X10)
67	Driver Guide	310071-2 (No Longer Available)		310107-7
90	Flat Washer 6	-----	253726-5	-----
	Serial #		~ 3878E	3879E ~

Above parts are completely interchangeable as a set.

2. The Material of the Pilot Valve and Trigger Valve Case changed from Resin to Aluminium.



Item No	Description	Type 1	Type 2	Type 3
35	Trigger Valve Guide	416806-0	417695-6	
39	Pilot Valve	416804-4	417694-8 Resin: White (No Longer Available)	317520-0 Aluminium: Silver
44	Trigger Valve Case	416805-2 Resin: White		317521-8 Aluminium: Silver

Above parts are completely interchangeable as a set.
 Trigger Valve Guide Type 1 and Type 2 are interchangeable as themselves.
 Pilot Valve Type 1 and Type 2 are interchangeable as themselves.