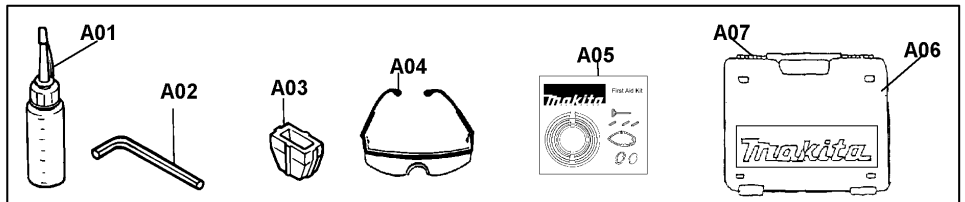
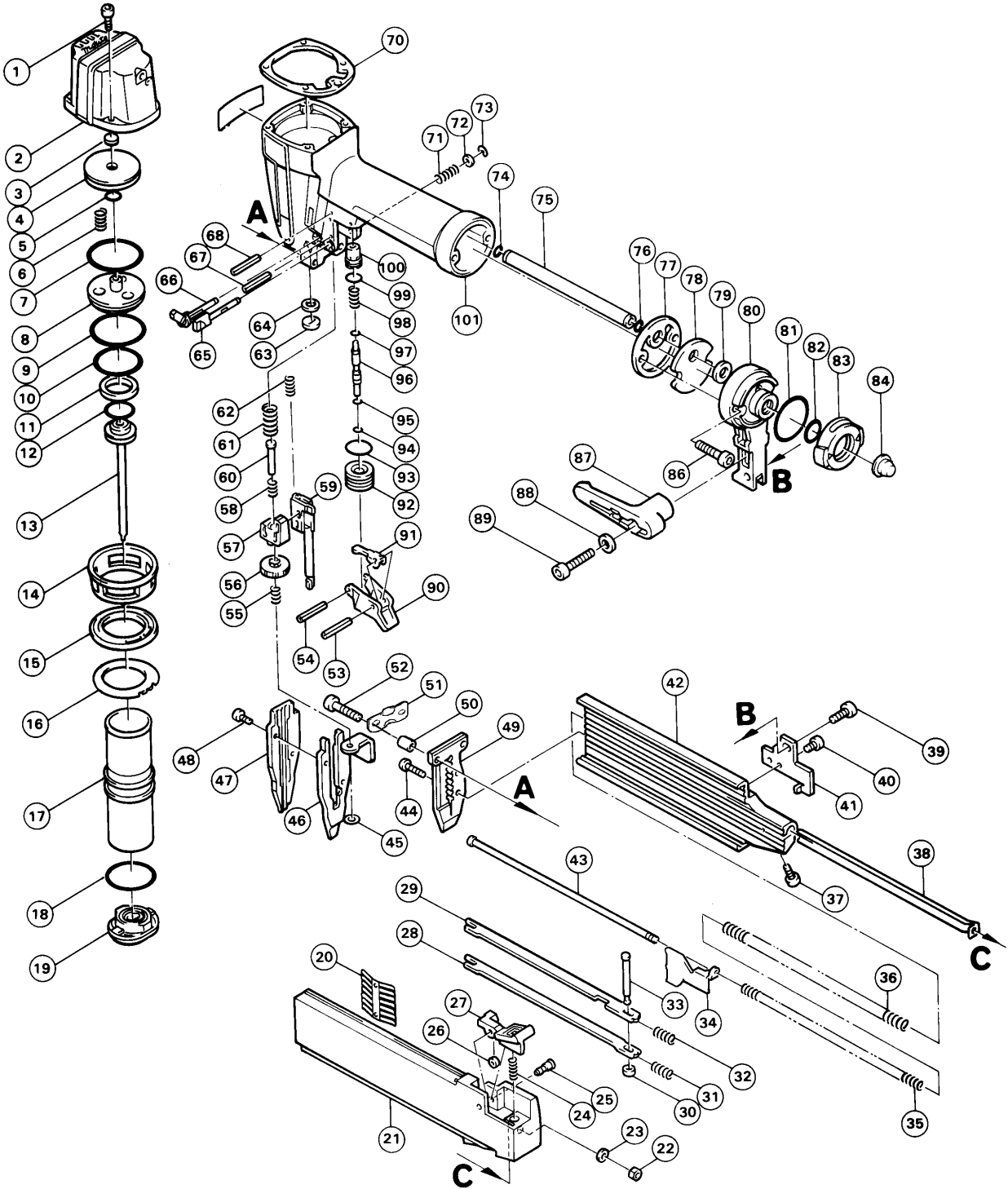




STRIP BRAD NAILER

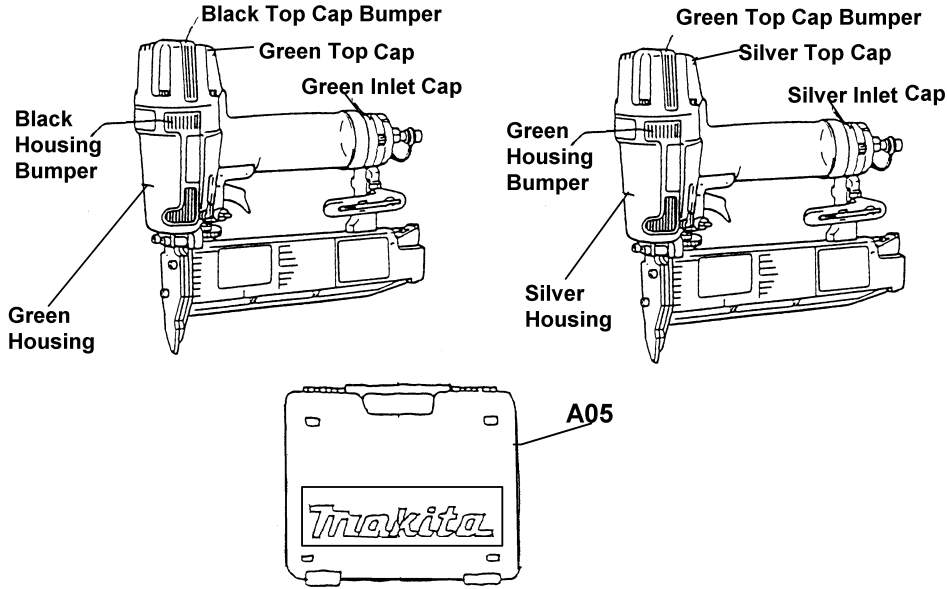
Model AF502 (MJ)



Item No.	Part No.	No. Used	Description	Item No.	Part No.	No. Used	Description
1	922127-5	4	Hex Socket Head Bolt M4x16	58	233118-4	1	Compression Spring 4
2	151430-9	1	Top Cap Com. Type 1(Green) [Includes 421425-9 Top Cap Bumper (Black)]	59	165211-5	1	Link
	151508-8	1	Top Cap Com. Type 2 (Silver) [Includes 421606-5 - Top Cap Bumper (Green)]	60	256696-7	1	Pin 4
3	421429-1	1	Cushion V	61	233119-2	1	Compression Spring 7
4	315448-6	1	Separator	62	233114-2	1	Compression Spring 4
5	213007-9	1	O Ring 8	63	344150-4	1	Front Seal
6	231326-1	3	Compression Spring 6	64	261100-3	1	Rubber Washer
7	213466-7	1	O Ring 35	65	162173-8	1	Trigger Lock Pin
8	315447-8	1	Head Valve	66	162174-6	1	Arm Lock Pin
9	213466-7	1	O Ring 35	67	258010-3	1	Spring Pin 2.5-25
10	213413-8	1	O Ring 28	68	258020-0	2	Spring Pin 2.5-22
11	421551-4	1	Cushion "P"	70	442113-5	1	Top Cap Gasket
12	213370-0	1	O Ring 22	71	231309-1	2	Compression Spring 5
13	150614-6	1	Driver Com.	72	941001-8	2	Flat Washer 3
14	415870-8	1	Collar	73	257903-1	2	Stop Ring E-2.3
15	421807-5	1	Cylinder Separator(Old 421537-8)	74	213026-5	1	O Ring 7
16	343913-5	1	Backup Ring	75	331412-9	1	Joint Pipe
17	331440-4	1	Cylinder	76	213026-5	1	O Ring 7
18	213461-7	1	O Ring 32	77	442111-9	1	Inlet Cap Gasket
19	421791-4	1	Cushion F	78	413057-6	1	Inlet Filter
20	232153-9	1	Leaf Spring	79	261094-2	1	Rubber Washer 8
21	150578-4	1	Slide Door Com.	80	316572-8	1	Inlet Cap Type 1 (Green)
22	252140-2	1	Hex Lock Nut M3x5.5		317106-0	1	Inlet Cap Type 2 (Silver)
23	267145-9	1	Flat Washer 3	81	213488-7	1	O Ring 32 (Old 213459-4)
24	233117-6	1	Compression Spring 6	82	213223-3	1	O Ring 16
25	256698-3	1	Pin 4	83	414999-7	1	Exhaust Cover
26	262054-7	1	Urethane Ring 3	84	286219-7	1	Cap 12
27	311953-1	1	Lever	86	922242-5	2	Hex Socket Head Bolt M5x25
28	344152-0	5	Nail Guide	87	415000-1	1	Hook
29	344235-6	1	Nail Stopper	88	941102-2	1	Flat Washer 5(Old)
30	262054-7	1	Urethane Ring 3	89	266100-8	1	Hex Socket Head Bolt M5x30
31	233114-2	1	Compression Spring 4	90	415593-8	1	Trigger
32	233114-2	1	Compression Spring 4	91	344148-1	1	Idler
33	256697-5	1	Pin 4	92	415594-6	1	Trigger Valve Case
34	344553-2	1	Pusher	93	213218-6	1	O Ring 16
35	233147-7	1	Compression Spring 4	94	213034-6	1	O Ring 3
36	233148-5	1	Compression Spring 6	95	213034-6	1	O Ring 3
37	266079-3	1	Hex Socket Head Bolt M4x14	96	322773-8	1	Trigger Valve Stem
38	344307-7	1	Spring Cover	97	213028-1	1	O Ring 2
39	922212-4	1	Hex Socket Head Bolt M5x12	98	233121-5	1	Compression Spring 4
40	922102-1	2	Hex Socket Head Bolt M4x6	99	213030-4	1	O Ring 8
41	344149-9	1	Joint	100	322775-4	1	Pilot Valve
42	152505-7	1	Magazine Com.	101	159851-9	1	Housing Com. Type 1 (Green) [Includes 421502-7 - Grip, 421500-1 - Bumper L (Black) & 421501-9 - Bumper R (Black)]
43	322845-9	1	Pusher Guide		159772-5	1	Housing Com. Type 2 (Silver) [Includes 421502-7 - Grip, 421608-1 - Bumper L (Green) & 421607-3 - Bumper R (Green)]
44	265422-3	2	Hex Socket Head Bolt M4x16	Accessories			
45	259009-1	1	Push Nut 3	A01	181434-7	1	Oil Supply 30cc
46	150551-4	1	Contact Arm Com.	A02	783201-2	1	Hex Wrench 3
47	344301-9	1	Driver Guide	A03	421444-5	1	Nose Adaptor
48	922107-1	2	Hex Socket Head Bolt M4x8	A04	191686-A	1	Makita Safety Glasses
49	311994-7	1	Set Plate	A05	192539-8	1	First Aid Kit
50	257666-9	2	Sleeve 5	A06	824477-3	1	Plastic Carrying Case (Includes Item A07)
51	344153-8	1	Supporter	A07	186347-7	2	Latch
52	922242-5	2	Hex Socket Head Bolt M5x25				
53	258023-4	1	Spring Pin 2.5-14				
54	258010-3	1	Spring Pin 2.5-25				
55	233120-7	1	Compression Spring 8				
56	311951-5	1	Adjuster				
57	311952-3	1	Stopper				

SERVICE CHANGES

1. Change on Top Cap Com., Inlet Cap & Housing Com.



Item No.	Description	Type 1	Type 2
2	Top Cap Com.	151430-9 - Green (Includes Top Cap Bumper - 421425-9 - Black)	151508-8 - Silver (Includes Top Cap Bumper - 421606-5 - Green)
80	Inlet Cap	316572-8 - Green	317106-0 - Silver
101	Housing Com.	159851-9- Green (Includes Grip - 421502-7, Bumper L (Black) - 421500-1 & Bumper R (Black) - 421501-9)	159772-5 - Silver (Includes Grip - 421502-7, Bumper L (Green) 421608-1 & Bumper R (Green) - 421607-3)

Above parts are completely interchangeable as a set.

