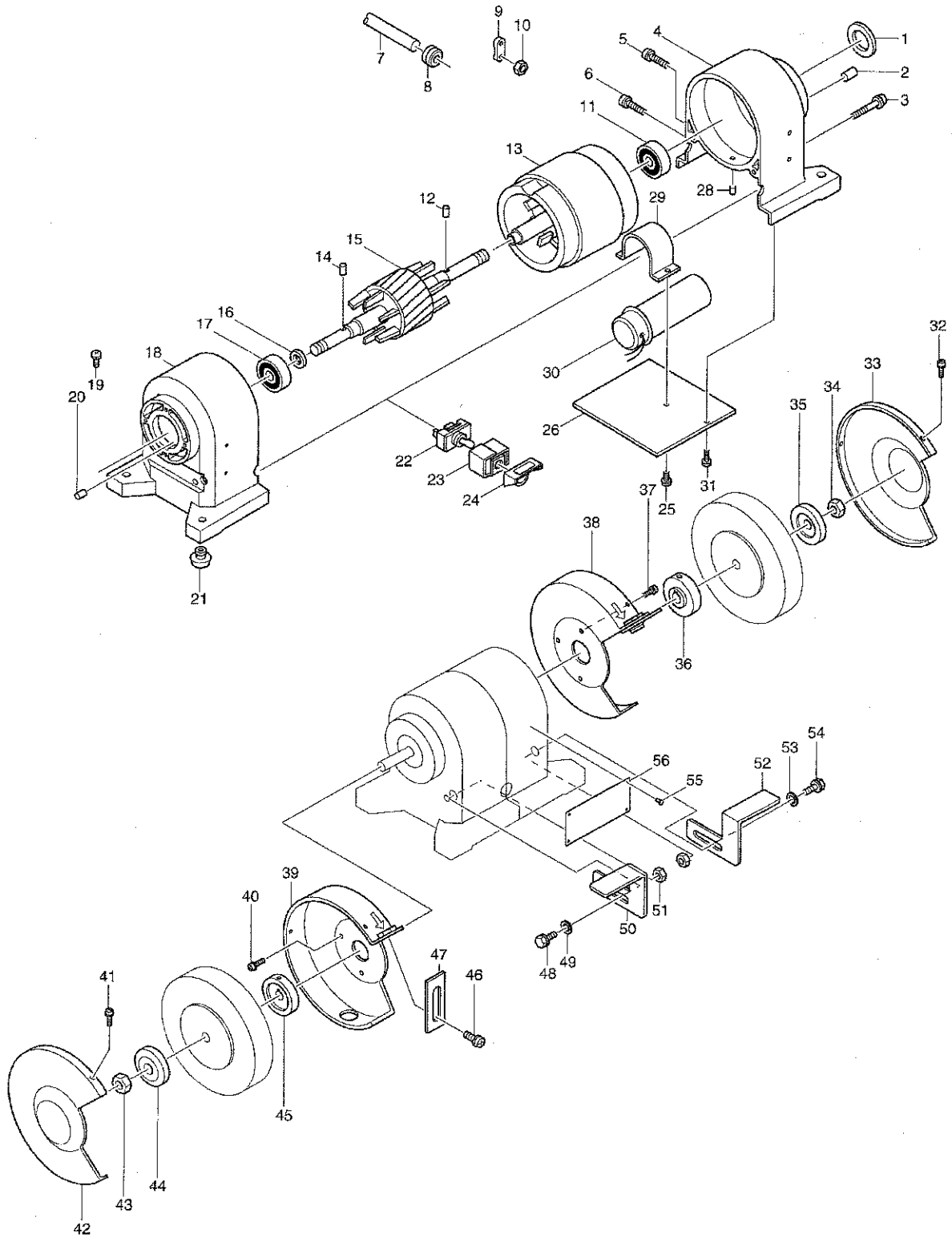


SERVICE DRAWING

MODEL NO. 9306



SPARE PARTS LIST

MODEL NO. 9306

ITEM	PART NO.	DESCRIPTION	QTY	NOTE
001	253954-2	WASHER	1	
002	263005-3	RUBBER PIN 6	1	
003	911361-2	SCREW M6 X 40	2	
004	157048-4	USE MC# 312720-7 INC. 2	1	
005	*****	*****	***	*****
006	*****	*****	***	*****
007	664630-7	POWER SUPPLY CORD AWG#18-3-2.5	1	
008	682511-3	GROMMET	1	
009	687004-5	STRAIN RELIEF	1	
010	931102-0	HEX NUT M4	2	
011	211211-4	BALL BEARING	1	
012	256009-2	PIN	1	
013	629010-4	STATOR	1	115V
014	256009-2	PIN	1	
015	619005-5	ROTOR	1	
016	253191-8	WASHER	1	
017	211211-4	BALL BEARING	1	
018	155154-9	MOTOR HSG (L) INC. 20	1	
019	652014-1	P.H. SCREW M4 X 8	1	
020	263005-3	RUBBER PIN 6	1	
021	411267-9	CAP	4	
022	651402-9	SWITCH	1	
023	652158-7	SEPARATOR	1	
024	155155-7	COVER	1	
025	911109-2	SCREW M4 X 8	2	
026	343414-3	UNDER COVER	1	
028	913202-8	SET SCREW M5 X 6	1	
029	687623-7	CLAMP	1	
030	645305-7	CAPACITOR	1	
031	911106-8	P.H. SCREW M4 X 8	2	
032	911106-8	P.H. SCREW M4 X 8	2	
033	343249-2	COVER (R)	1	
034	252007-4	NUT	1	
035	224019-7	OUTER FLANGE	1	
036	224103-8	INNER FLANGE	1	
037	911216-1	SCREW M5 X 14	3	
038	*****	*****	***	*****
039	*****	*****	***	*****
040	911216-1	SCREW M5 X 14	3	
041	911106-8	P.H. SCREW M4 X 8	2	
042	343254-9	COVER (L)	1	
043	252009-0	NUT	1	
044	224019-7	OUTER FLANGE	1	
045	224103-8	INNER FLANGE	1	
046	911324-8	SCREW M6 X 16	4	
047	341323-0	PLATE	2	
048	921426-2	HEX BOLT M8 X 18	1	
049	941201-0	FLAT WASHER 8	1	
050	345096-7	TOOL REST	1	
051	931401-0	HEX NUT M8	2	
052	345095-9	TOOL REST	1	