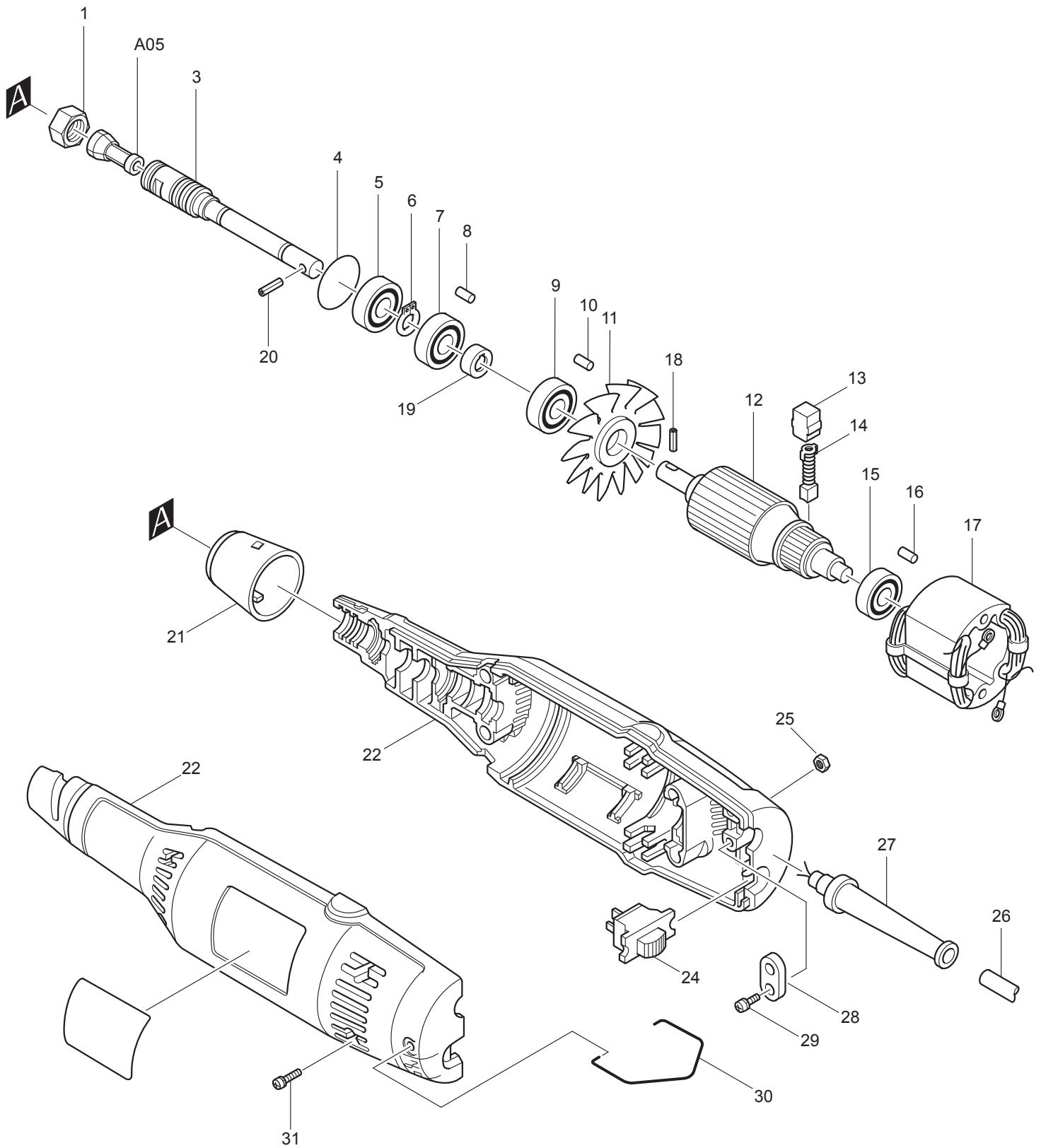




09 - 2010

906

1/4" DIE GRINDER (MJ, MBR)



Item No	Type	Ref	Part No	Description	Qty	Unit
1			763606-2	COLLET NUT 6	1	PC.
3			321194-1	SPINDLE	1	PC.
4			213373-4	* O RING 22	1	PC.
5			211031-6	BALL BEARING 608LLB (OLD# 211033-2)	1	PC.
6			961004-6	RETAINING RING S-8	1	PC.
7			211033-2	BALL BEARING 608LB	1	PC.
8			263002-9	RUBBER PIN 4	1	PC.
9			211031-6	BALL BEARING 608LLB (OLD#211033-2)	1	PC.
10			263002-9	RUBBER PIN 4	1	PC.
11			241100-9	FAN 52	1	PC.
12	2		511401-2	ARMATURE ASS'Y 115V (OLD# 611401-3)	1	PC.
		INC.		Item No. 9, 11, 15	1	PC.
13	1		643562-1	BRUSH HOLDER 5X8	2	PC.
	2		643552-4	BRUSH HOLDER	2	PC.
14	1		191956-9	CARBON BRUSH CB-75, 2PCS/SET W/O ORIGIN - N/L/A	1	SET
	2		194971-2	CARBON BRUSH CB-75 2PC/SET W/ ORIGIN	1	SET
15			211028-5	BALL BEARING 627LB	1	PC.
16			263002-9	RUBBER PIN 4	1	PC.
17	2		521386-4	* FIELD ASS'Y 115V (MJ) (OLD# 621386-5)	1	PC.
		INC.	654002-4	TERMINAL 1.25-M4	2	PC.
	3		528634-2	* FIELD ASS'Y 115V (MBR)	1	PC.
		INC.	654002-4	TERMINAL 1.25-M4	2	PC.
	4		527076-7	* FIELD ASS'Y 115V (MBR)	1	PC.
		INC.	654002-4	TERMINAL 1.25-M4	2	PC.
18			951057-3	* SPRING PIN 3-12	1	PC.
19			410986-4	* COUPLING	1	PC.
20			951057-3	* SPRING PIN 3-12	1	PC.
21	1		341553-3	* CAP (TYPE 1)	1	PC.
	2		153549-0	* CAP COMPLETE (TYPE 2)	1	PC.
		INC.	810341-4	CAUTION LABEL	1	PC.
22	1		183416-5	* MOTOR HOUSING SET	1	SET
	2		187398-3	* MOTOR HOUSING SET	1	SET
24	1		651523-7	* SWITCH WS107ADT-1	1	PC.
	2		651527-9	* SWITCH	1	PC.
25			931102-0	HEX NUT M4	4	PC.
26			664064-4	CORD W/PLUG 2P-18-2.5M, SJ	1	PC.
27			682500-8	CORD GUARD 8.5-72	1	PC.
28			687002-9	STRAIN RELIEF F/ SJ CORD	1	PC.
28			687001-1	STRAIN RELIEF F/ SJT CORD	1	PC.
29			911133-5	PAN HEAD SCREW M4X18 (OLD# 911131-9)	2	PC.
30			321193-3	HANGER	1	PC.
31			911148-2	PAN HEAD SCREW M4X25	4	PC.
100			654509-0	CLOSED END TERMINAL 2-SD	1	PC.

### **ACCESSORIES**

- See catalogue or visit [www.makita.ca](http://www.makita.ca) for more optional accessories -

A01			741809-8	DRESSING STONE	1	PC.
A02			781003-0	WRENCH 10 (F/ SPINDLE)	1	PC.
A03			781008-0	WRENCH 17 (F/ COLLET NUT)	1	PC.
A04			741617-7	WHEEL POINT 1-19-60 (1/4" SHANK)	1	PC.
			741616-9	WHEEL POINT 4-19-60 (1/4" SHANK)	1	PC.
A05			763625-8	COLLET CONE 1/4"	1	PC.
			763626-6	COLLET CONE 1/8"	1	PC.

**SERVICE CHANGES:**

Item No.	Description	Type 1	Type 2	Type 3	Type 4	Type 5	Type 6
18	Spring Pin			951060-4 (3-14)			951057-3 (3-12)
19	Coupling			411684-3 (N/L/A)			410986-4
		White plastic (Type 1- 3), White plastic covered with metal sleeve (Type 4), Black plastic (Type 5)					Green Plastic
20	Spring Pin			951060-4 (3-14)			951057-3 (3-12)
33	Ring	-----		257049-3 (added)			(Discontinued)
34	Thin Washer 8	-----		253309-1 (added)			(Discontinued)

Above parts are completely interchangeable as a set.

Item No.	Description	MJ				MBR	
		Type 1	Type 2	Type 3	Type 4	Type 5	Type 6
4	O Ring 22	-----				213373-4 (added)	
17	Field Assy			521386-4 (621386-5)		528634-2	527076-7
24	Switch			651600-5		651523-7	651527-9
21	Cap			341553-3			153549-0
22	Motor Housing (R)	156614-4 (N/L/A)	411781-5 (N/L/A) Incl. Items 8, 10, 16, 25	410877-9 (N/L/A) Incl. Item 25	181675-5 (Set) Incl. Items 8, 10, 16, 25 (N/L/A)	183416-5 (Set)	187398-3 (Set)
	Motor Housing (L)	411679-6 (N/L/A)	411782-3 (N/L/A)	410878-7 (N/L/A) Incl. Items 8,10,16			

Above parts are completely interchangeable as a set.

(T/I# Z5550)

(T/I# 94563)

\* Type 4 & Type 5 Motor Housing Set are interchangeable as themselves.

\*Type 5 Cap can replace Type 1-4 Cap

MJ = Made in Japan

MBR = Made in Brazil

**Service Note:**

- When using the Type 6 Switch 651527-9 for the repair of the model equipped with the Type 5 Motor housing 183416-5, replace the housing with the Type 6 187398-3 together with Switch.
- When using the Type 6 Motor housing 187398-3 for the repair of the model equipped with the Type 5 switch 651523-7, replace only the housing itself.
- Do not use the Type 5 Switch and Motor housing for the repair of the model equipped with the new Switch 651527-9 and Motor housing 187398-3.

\* See Technical Information #Z5550 and #94563 for Wiring Diagram