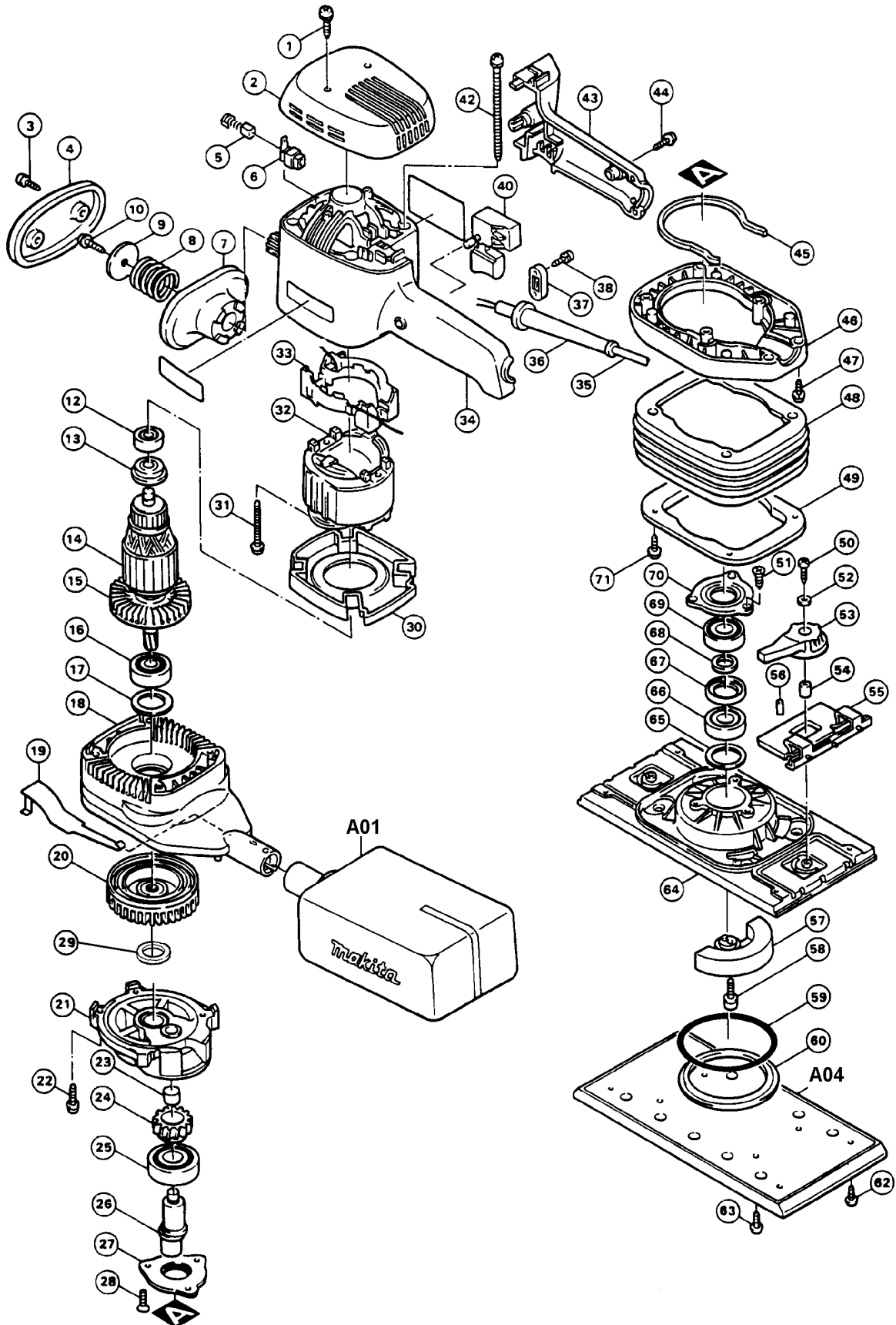


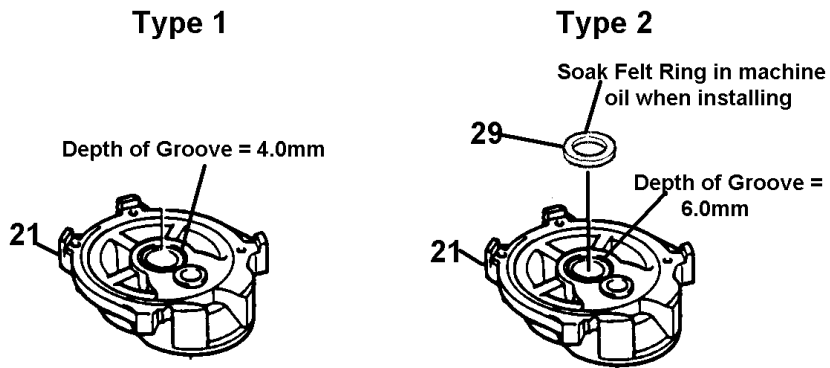
1/2 SHEET DUSTLESS ORBITAL SANDER

Model 9046 (M.J)



SERVICE CHANGE

1. Change on Gear Box and Addition of Felt Ring.



Item No.	Description	Type 1	Type 2
21	Gear Box	316621-1	317389-2
29	Felt Ring 20	-----	262547-4
	Serial No.	~ 53108E	53109E ~

Above parts are completely interchangeable as a set.