

Makita Canada Inc.



12V - 1/2" PERCUSSION DRIVER DRILL

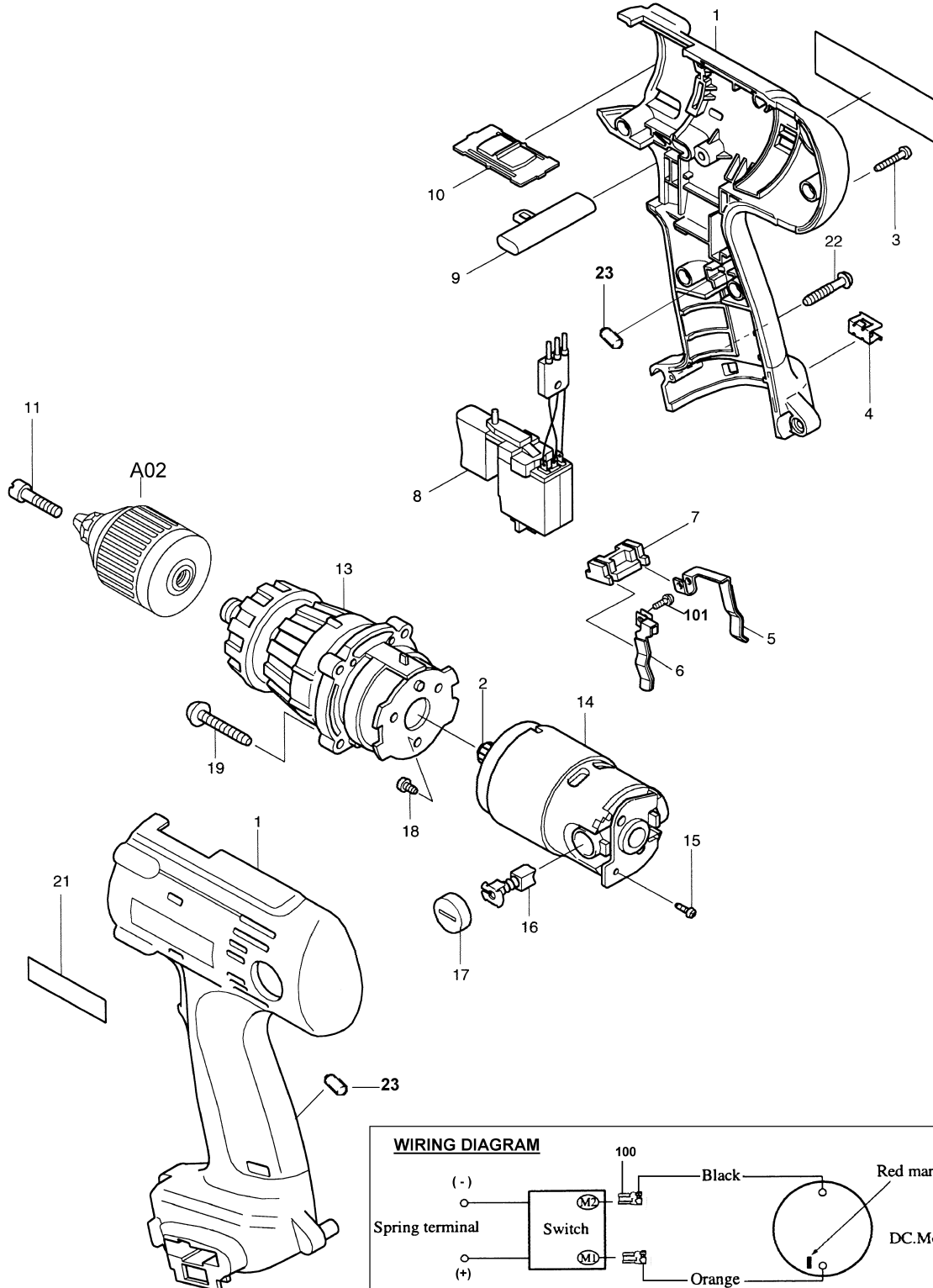
Model 8413DWDE

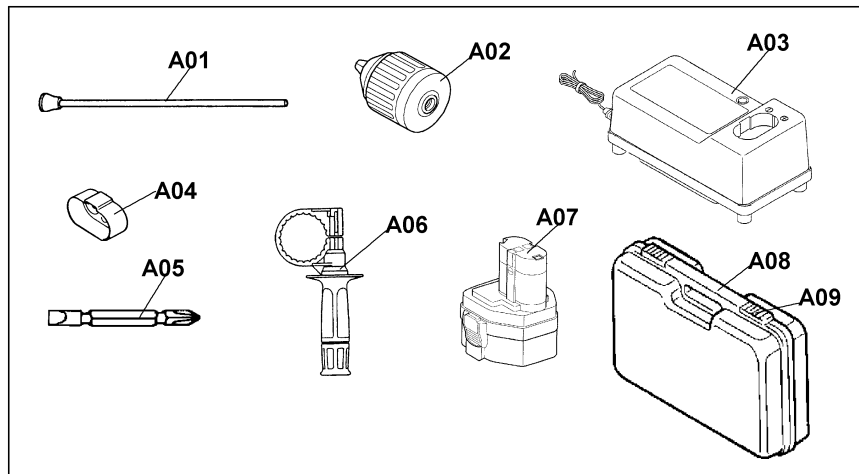
14.4V - 1/2" PERCUSSION DRIVER DRILL

Model 8433DWDE

18V - 1/2" PERCUSSION DRIVER DRILL

Model 8443DWDE





Item No.	Part No.	No. Used	Description	Item No.	Part No.	No. Used	Description
1	183201-6	1	Housing Set(8413DWDE)	19	265999-8	4	Tapping Screw 4X25
	183203-2	1	Housing Set (8433DWDE)	21	819063-3	1	Makita Label
	183202-4	1	Housing Set (8443DWDE)	22	911143-2	1	P. H. Screw M4X22 (8413DWDE)
2	226361-2	1	Spur Gear 20	100	654069-2	4	Receptacle
3	266130-9	7-8	Tapping Screw Bind PT 3X16	101	652038-7	2	P. H. Screw M3X8
4	344391-2	2	Bit Holder	Accessories			
5	654168-0	1	Spring Terminal (+)	A01	122576-8	1	Stopper Pole Assy (Includes 286226-0 - CAP 20 & 322223-3 - Depth Rod)
6	654169-8	1	Spring Terminal (-)	A02	193065-0	1	1/2" Keyless Drill Chuck
7	687085-9	1	Holder	A03	DC1801	1	Fast Charger DC1801(F/7.2V,9.6V, 12V, 14.4V & 18V NI-CAD & NI-MH 1.3Ah - 3.0Ah Batteries)
8	651939-6	1	Switch C3LA-1A	A04	414938-7	2	Battery Cover
9	416079-5	1	F/R Change Lever	A05	784614-0	2	+/- BIT 2-45
10	125091-1	1	Speed Change Lever Assy	A06	122575-0	1	Grip Assy (Includes 152521-9 - Grip 36 Com., 251812-6 - Screw M5X10, & 416680-6 - Grip Base,
11	251465-1	1	- Flat Head Screw M6X32	A07	192157-6	2	12V NI-MH(2.6A) Battery 1234 (8413DWDE)
13	125099-5	1	Gear Assy (Includes 416629-6 - Change Lever)		193158-3	2	14.4V NI-MH (2.6AH) Battery 1434 (8433DWDE)
14	629733-4	1	DC Motor 12V (8413DWDE) (Includes Items 2, 16 & 17)		193159-1	2	18V NI-MH (2.6Ah) Battery 1834 (8443DWDE)
	629734-2	1	DC Motor 14.4V (8433DWDE) (Includes Items 2, 16 & 17)	A08	824546-0	1	Plastic Carrying Case (Includes Item A09)
	629729-5	1	DC Motor (8443DWDE) (Includes Items 2, 16 & 17)	A09	A00188-3	2	Lock
15	911006-2	1	P. H. Screw M3X8				
16	191971-3	1	Carbon Brush CB-430 (2pc/Set)				
17	643929-3	2	Holder Cap (8413DWDE & 8433DWDE)				
	643954-4	2	Holder Cap (8443DWDE)				
18	266134-1	3	Tapping Screw ST 4X8				

2 Model 8413DWDE
 2 Model 8433DWDE
 2 Model 8443DWDE