



12V - 1/2" PERCUSSION DRIVER DRILL

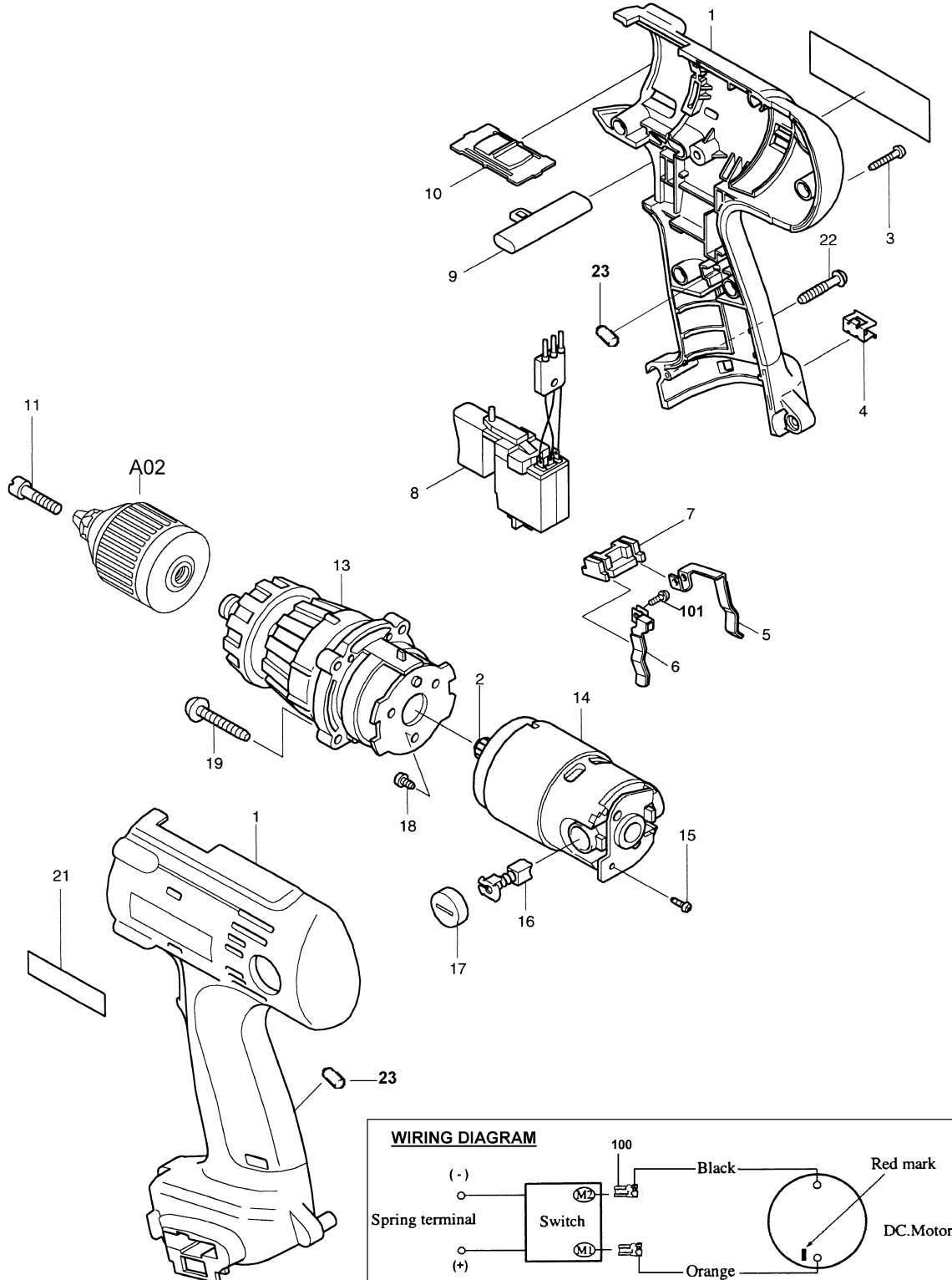
Model 8413DWDE (MJ)

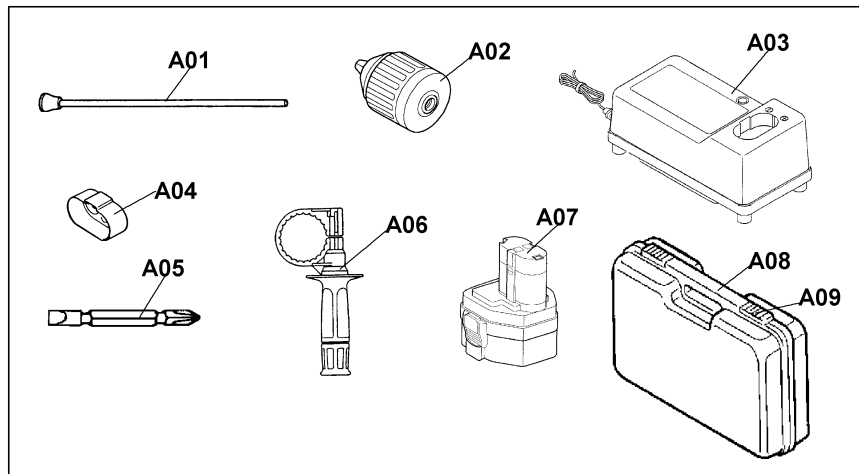
14.4V - 1/2" PERCUSSION DRIVER DRILL

Model 8433DWDE (MJ)

18V - 1/2" PERCUSSION DRIVER DRILL

Model 8443DWDE (MJ)





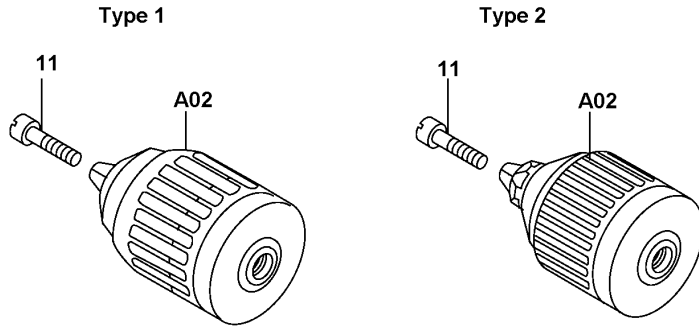
Item No.	Part No.	No. Used	Description	Item No.	Part No.	No. Used	Description
1	183201-6	1	Housing Set (8413DWDE)	18	266134-1	3	Tapping Screw ST 4X8
	183203-2	1	Housing Set (8433DWDE)	19	265999-8	4	Tapping Screw 4X25
	183202-4	1	Housing Set (8443DWDE)	21	819063-3	1	Makita Label
2	226361-2	1	Spur Gear 20	22	911143-2	1	P. H. Screw M4X22 (8413DWDE)
3	266130-9	7-8	Tapping Screw Bind PT 3X16	23	263024-9	2	Rubber Pin 4
4	344391-2	2	Bit Holder	100	654069-2	4	Receptacle
5	654168-0	1	Spring Terminal (+)	101	652038-7	2	P. H. Screw M3X8
6	654169-8	1	Spring Terminal (-)	Accessories			
7	687085-9	1	Holder	A01	122576-8	1	Stopper Pole Assy (Includes 286226-0 - CAP 20 & 322223-3 - Depth Rod)
8	651939-6	1	Switch C3LA-1A (For 8413DWDE & 8433DWDE)	A02	*	1	½" Keyless Drill Chuck
	651968-9	1	Switch C3LA-2A (For 8443DWDE)	A03	DC1801	1	Fast Charger DC1801(F/7.2V,9.6V, 12V, 14.4V & 18V NI-CAD & NI-MH 1.3Ah - 3.0Ah Batteries)
9	416079-5	1	F/R Change Lever	A04	414938-7	2	Battery Cover
10	125091-1	1	Speed Change Lever Assy	A05	784614-0	2	+/- BIT 2-45
11	251465-1	1	- Flat Head Screw	A06	122575-0	1	Grip Assy (Includes 152521-9 - Grip 36 Com., 251812-6 - Screw M5X10, & 416680-6 - Grip Base,
13	125165-8	1	Gear Assy (Old 125099-5) (Includes 416629-6 - Change Lever)	A07	193157-5	2	12V NI-MH(2.6A) Battery 1234 (8413DWDE)
14	629733-4	1	DC Motor 12V (8413DWDE) (Includes Items 2, 16 & 17)		193158-3	2	14.4V NI-MH (2.6AH) Battery 1434 (8433DWDE)
	629734-2	1	DC Motor 14.4V (8433DWDE) (Includes Items 2, 16 & 17)		193159-1	2	18V NI-MH (2.6Ah) Battery 1834 (8443DWDE)
	629729-5	1	DC Motor (8443DWDE) (Includes Items 2, 16 & 17)	A08	824546-0	1	Plastic Carrying Case (Includes Item A09)
15	911006-2	1	P. H. Screw M3X8	A09	416400-0A	2	Slide Lock
16	191971-3	1	Carbon Brush CB-430 (2pc/Set)				
17	643929-3	2	Holder Cap (8413DWDE & 8433DWDE)				
	643954-4	2	Holder Cap (8443DWDE)				

* SEE SERVICE CHANGES

2 Model 8413DWDE
 2 Model 8433DWDE
 2 Model 8443DWDE

SERVICE CHANGES

1. Change of Flat Head Screw and Keyless Drill Chuck.



Item No.	Description	Type 1	Type 2
11	- Flat Head Screw	251465-1 (M6X32)	251464-3 (M6X22)
A02	½" Keyless Drill Chuck 13	193065-0	193550-3

Above parts are completely interchangeable as a set.