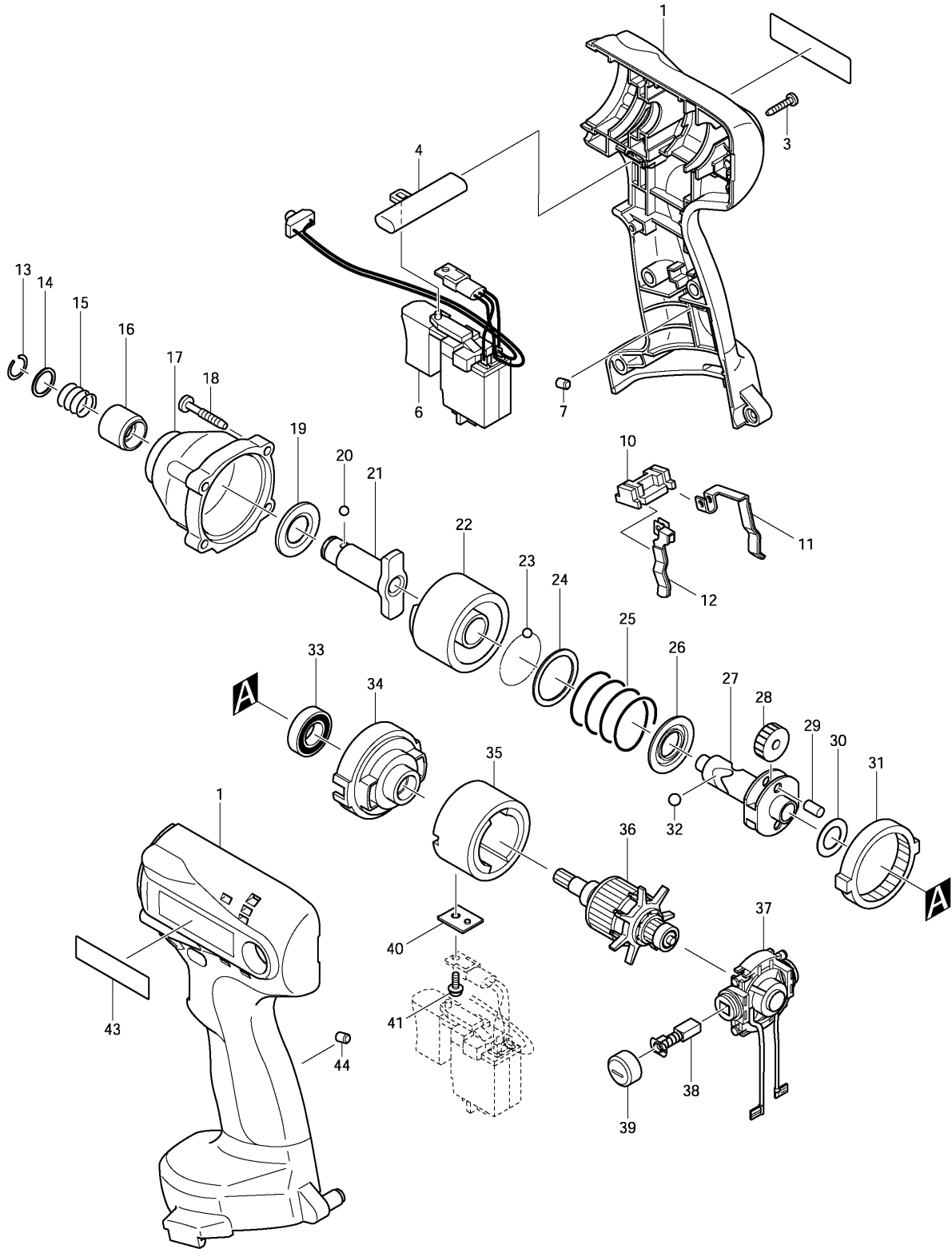
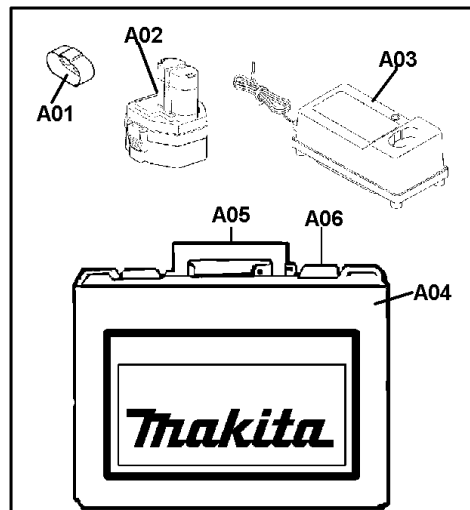
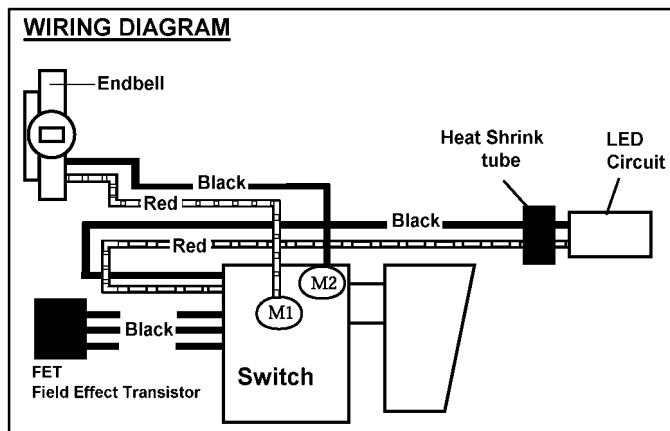


12V IMPACT DRIVER KIT

Model 6916FDWDE(MCA)





Item No.	Part No.	No. Used	Description	Item No.	Part No.	No. Used	Description
1	183694-7	1	Housing Set (Includes Items 7, 43 & 44)	32	216011-7	2	Steel Ball 5.6
3	266130-9	8	Tapping Screw Bind PT 3X16	33	211150-8	1	Ball Bearing 6901ZZ
4	416079-5	1	F/R Change Lever	34	417269-3	1	Internal Gear Case
6	638288-8	1	Switch Unit	35	632964-6	1	Yoke Unit
7	263024-9	1	Rubber Pin 4	36	619057-6	1	Armature
10	687085-9	1	Holder	37	638156-5	1	Endbell Com.
11	654168-0	1	Spring Terminal (+)	38	193466-2	2	Carbon Brush CB-434 (2pcs/Set)
12	654169-8	1	Spring Terminal (-)	39	643982-9	2	Brush Holder Cap
13	231951-8	1	Ring Spring 11	40	689096-0	1	FET Spacer
14	267085-1	1	Flat Washer 12	41	266170-7	1	Tapping Screw ST3X8
15	233005-7	1	Compression Spring 13	43	819063-3	1	Makita Label
16	324420-7	1	Sleeve	44	263024-9	1	Rubber Pin 4
17	153778-5	1	Hammer Case Com.				
18	265999-8	4	Tapping Screw 4X25	Accessories			
19	261108-7	1	Nylon Washer 14	A01	414938-7	1	Battery Cover
20	216001-0	2	Steel Ball 3.5	A02	193157-5	1	12V Ni-MH Battery 1234 (2.6Ah) (For Other Batteries, See Catalogue)
21	324013-0	1	Anvil M	A03	DC1414	1	DC1414 CHARGER For 7.2V ~ 14.4V, 1.3Ah ~ 3.0Ah (For Other Chargers, See Catalogue)
22	323996-1	1	Hammer	A04	183763-4	1	Plastic Carrying Case (Includes Items A05 & A06)
23	216001-0	24	Steel Ball 3.5	A05	417723-7	1	Handle
24	267175-0	1	Flat Washer 24	A06	417724-5	2	Latch
25	233276-6	1	Compression Spring 25				
26	267766-7	1	Cup Washer 14				
27	324220-5	1	Spindle				
28	226336-1	2	Spur Gear 22				
29	256253-1	2	Pin 5				
30	267212-0	1	Flat Washer 12				
31	227001-5	1	Internal Gear 51				

REPAIR TOOLS

181573-3 - Makita Grease N No. 2 (100g, 3.5oz)

1R045 - Gear Extractor