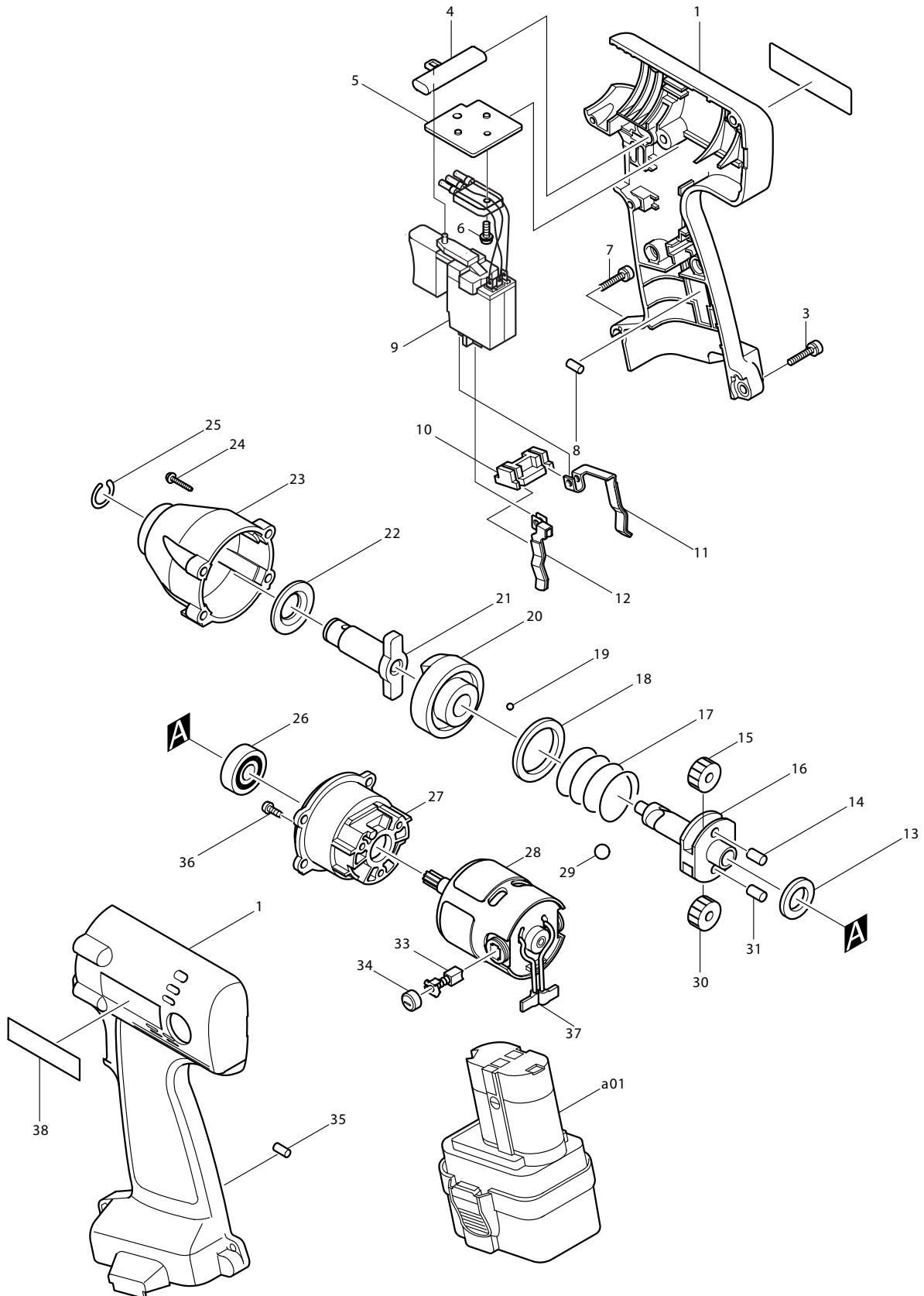




01 - 2008
6909DWA
6909DWAE
6909DWDE

3/8" - 9.6V REVERSIBLE IMPACT WRENCH(VARIABLE SPEED)



ITEM #	PART #	QTY USED	DESCRIPTION
3	265995-6	7	Tapping Screw 4x18
4	416079-5	1	F/R Change Lever
5	689070-8	1	Radiating Plate
6	911006-2	1	P.H. Screw M3x8
7	911143-2	1	P.H. Screw M4x22
8	263002-9	1	Rubber Pin 4
9	650540-4	1	Switch (Old 651939-6)
10	687085-9	1	Holder
11	654168-0	1	(+)Spring Terminal
12	654168-8	1	(-) Spring Terminal
13	253744-3	1	Flat Washer 12
14	256253-1	1	Pin 5
15	226336-1	1	Spur Gear 22
16	322958-6	1	Spindle
17	233193-0	1	Compression Spring 24
18	267148-3	1	Flat Washer 23
19	216008-6	2	Steel Ball 4
20	322957-8	1	Hammer
21	322796-6	1	Anvil
22	261118-7	1	Nylon Washer 14
23	152555-2	1	Hammer Case Com.
24	265999-8	4	Tapping Screw 4x25
25	231964-9	1	Ring Spring 7
26	211101-1	1	Ball Bearing 6001LLB
27	416313-3	1	Internal Gear Case
28	629710-6	1	DC Motor (Includes Itrems 32-34 & 37)
29	216011-7	2	Steel Ball 5.6
30	226336-1	1	Spur Gear 22
31	256253-1	1	Pin 5
32	226337-9	1	Spur Gear 7
33	191966-6	2	Carbon Brush CB-424 (2pcs/Set0
34	643933-2	2	Holder Cap
35	263002-9	1	Rubber Pin 4
36	266166-8	3	Tapping Screw CT3x8
37	654069-2	2	Receptacle
38	819063-3	1	Makita Label
40	343579-1	1	Set Plate (No Picture)

ACCESSORIES

A01	192596-6	1	9.6V Ni-Cad Battery 9122 W/Cllip (2.0AH) (6909DWA, 6909DWAE)
	193156-7	1	9.6V Ni-MH Battery 9134 (2.6AH)(6909DWDE)
A02	414938-7	1	Battery Cover
A03	DC1414	1	Super High Capacity Quad Voltage Fast Charger F/1.3,~ 3.0AH, F/7.2V ~ 14.4V Batteries
	CAADC1412	1	Automotive Quad Voltage Charger F/1.3, 1.7 & 2.0Ah & F/7.2V, 9.6V, 12V & 14.4V
A04	824635-1	1	Plastic Carrying Case (Old 824489-6)(With A05)_
A05	186347-7	1	Slide Latch Set (2pcs/Set)