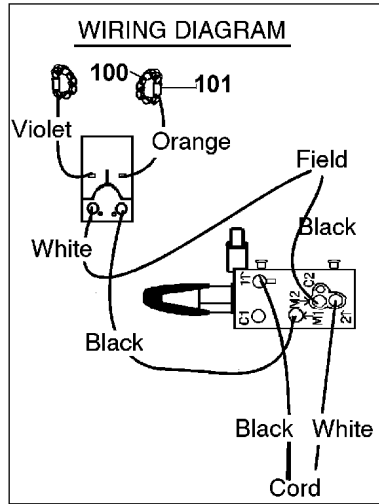
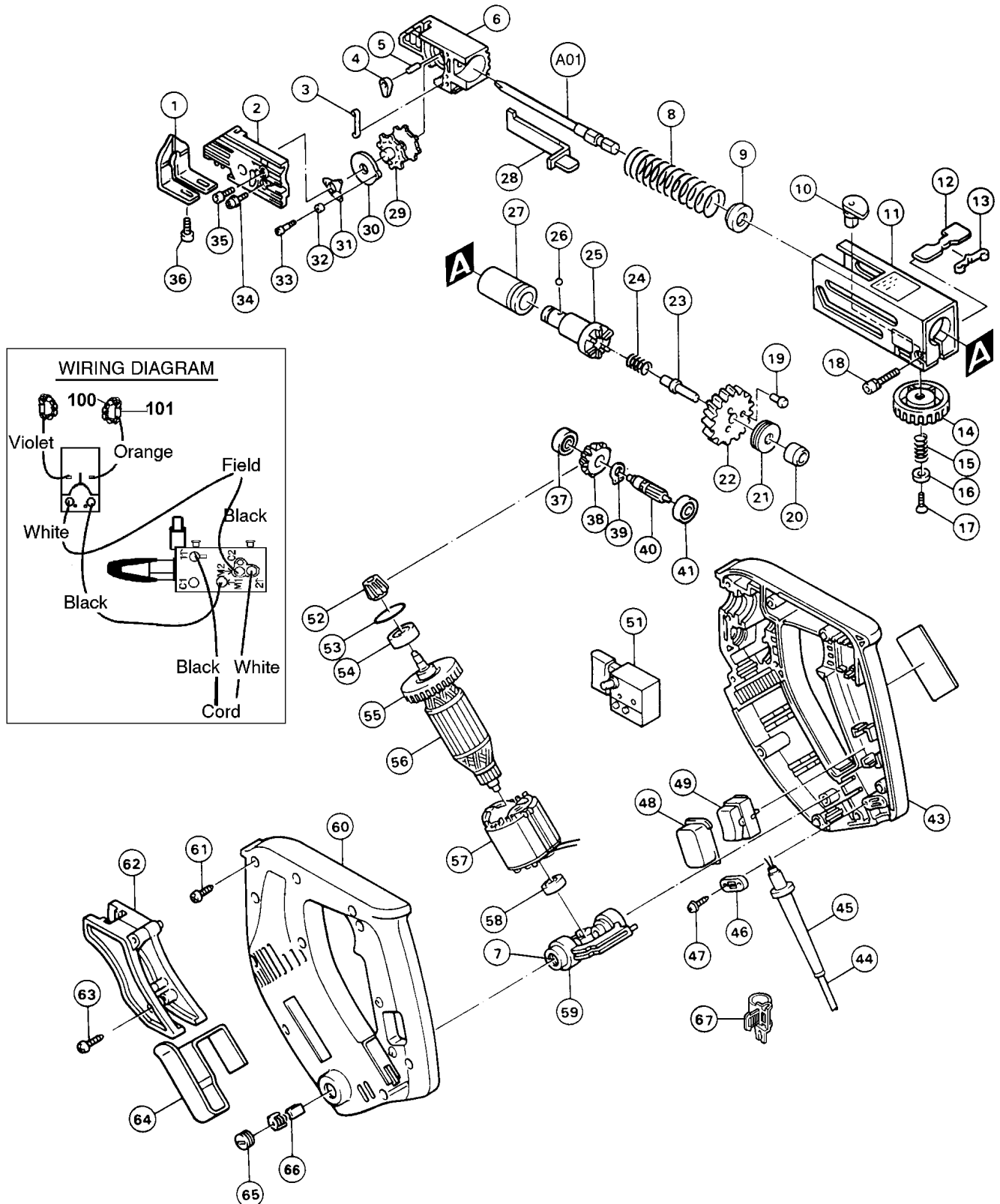
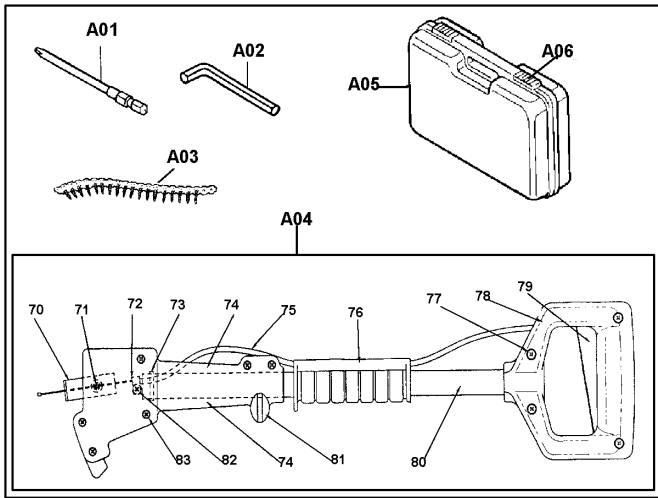


AUTO DRYWALL SCREWDRIVER

Model 6832(MJ)





Item No.	Part No.	No. Used	Description
1	344237-2	1	Stopper Base
	344054-0	1	Stopper Plate (For 1" - 1-5/8" Screw)
2	152502-3	1	Box Cover Com. (Includes 256222-2 x2 - Pin 3)
3	232132-7	1	Leaf Spring
4	311923-0	1	Stopper
5	256254-9	1	Pin 3 (Old 256222-2)
6	152501-5	1	Feeder Box Com. (Includes 256222-2 x 2 - Pin 3)
7	643917-0	2	Brush Holder (Type 1)
	643932-4	2	Brush Holder (Type 2)
8	233112-6	1	Compression Spring 21
9	421467-3	1	Dust Cover
10	310008-9	1	Shifter Pin
11	150564-5	1	Casing Com. (Includes 816282-2 - Indication Label, 816302-2 - Indication Label & 816303-0 - Indication Label)
12	344306-9	1	Slide Plate
13	232152-1	1	Leaf Spring
14	415829-5	1	Knob 40
15	233089-5	1	Compression Spring 12
16	267117-4	1	Flat Washer 6
17	912117-6	1	Countersunk Head Screw M4x12
18	922146-1	1	Hex Socket Head Bolt M4x25
19	256467-2	3	Pin 4 (Old 256439-7)
20	214028-4	1	Plane Bearing 8
21	212042-4	1	Thrust Needle Bearing 821
22	226454-5	1	Helical Gear 59
23	256699-1	1	Pin 8
24	233126-5	1	Compression Spring 6
25	223108-5	1	Spindle
26	216001-0	1	Steel ball 3.5
27	214165-4	1	Plane Bearing 14
28	165154-1	1	Plate
29	311921-4	1	Ratchet Wheel
30	311976-9	1	Ratchet Disc
31	232133-5	1	Leaf Spring
32	257664-3	1	Sleeve 4
33	265036-8	1	(+) Flat Head Screw M3x5

Item No.	Part No.	No. Used	Description
34	911133-5	1	P.H. Screw M4x18
35	922107-1	2	Hex Socket Head Bolt M4x8
36	922132-2	1	Hex Socket Head Bolt M4x18
37	211014-6	1	Ball Bearing 606
38	226705-6	1	Spiral Bevel Gear 22
39	961005-4	1	Retaining Ring S-9
40	226455-3	1	Helical Gear 9
41	211014-6	1	Ball Bearing 606
43	182601-7	1	Housing Set (Old 415310-6)
44	664013-1	1	Cord With Plug 2P-18-2.5
45	682502-4	1	Cord Guard 8-85
46	687063-9	1	Strain Relief
47	265995-6	2	Tapping Screw 4x18
48	421621-9	1	Dust Cover (Old 421460-7)
49	651556-2	1	Switch
51	650206-6	1	Switch (Old 651271-8)
52	226704-8	1	Spiral Bevel Gear 15
53	213008-7	1	O Ring 22.4
54	211061-7	1	Ball Bearing 6000LLB
55	241869-5	1	Fan 55
56	517061-8	1	Armature Assy (Includes Items 54, 55, & 58)
57	633256-6	1	Field
58	210025-8	1	Ball Bearing 627LLB(Old 211026-9)
59	152433-6	1	Holder Arm Com. (Includes Item 7)
60	182601-7	1	Housing Set (Old 415311-4 9 - No Longer Available)
61	266045-0	10	Tapping Screw Flange PT 4x20
62	415352-0	1	Screw Guide
63	266045-0	1	Tapping Screw Flange PT 4x20
64	344056-6	1	Hook
65	643550-8	2	Brush Holder Cap 5-8
66	191938-1	2	Carbon Brush CB-408 (2pcs./set)
67	410048-8	1	Wrench Holder 3 & 4
70	165156-7	1	Hook
71	922107-1	1	Hex. Socket Head Bolt M4X8
72	687668-5	1	Strain Relief (N/A)
73	951122-8	1	Spring Pin 4-28
74	182763-1	1	Clamper Set
75	168280-5	1	Switch Wire
76	422025-8	1	Grip (N/A)
77	265995-6	4	Tapping Screw 4X18
78	182764-9	1	Handle Set (N/A)
79	415844-9	1	Hook (N/A)
80	331471-3	1	Pipe 24 (N/A)
81	251878-6	1	Screw M5X20
82	911233-1	1	P.H. Screw M5X20
83	911138-5	6	P.H. Screw M4X20
100	654100-4	2	Garter Spring
101	654501-6	2	Solderless Connector P-1.25
Accessories			
A01	A-16536	1	Phillips Bit No. 2-132L (5/pk)
A02	783201-2	1	Hex Wrench 3
A03	----	1	Drywall Screw Strip (See Catalogue for Details)
A04	192501-3	1	Extension Handle (Includes Items 70 - 83)
A05	824421-0	1	Plastic Carrying Case (Includes Item A06)
A06	182935-8	1	Slide Latch Set

SERVICE REPAIR NOTE

**To Improve Grease Sealing The Adhesive “Super Three Bond TB1215” Has Been Added. (See Illustration Below)
From Serial # 26863E ~**

