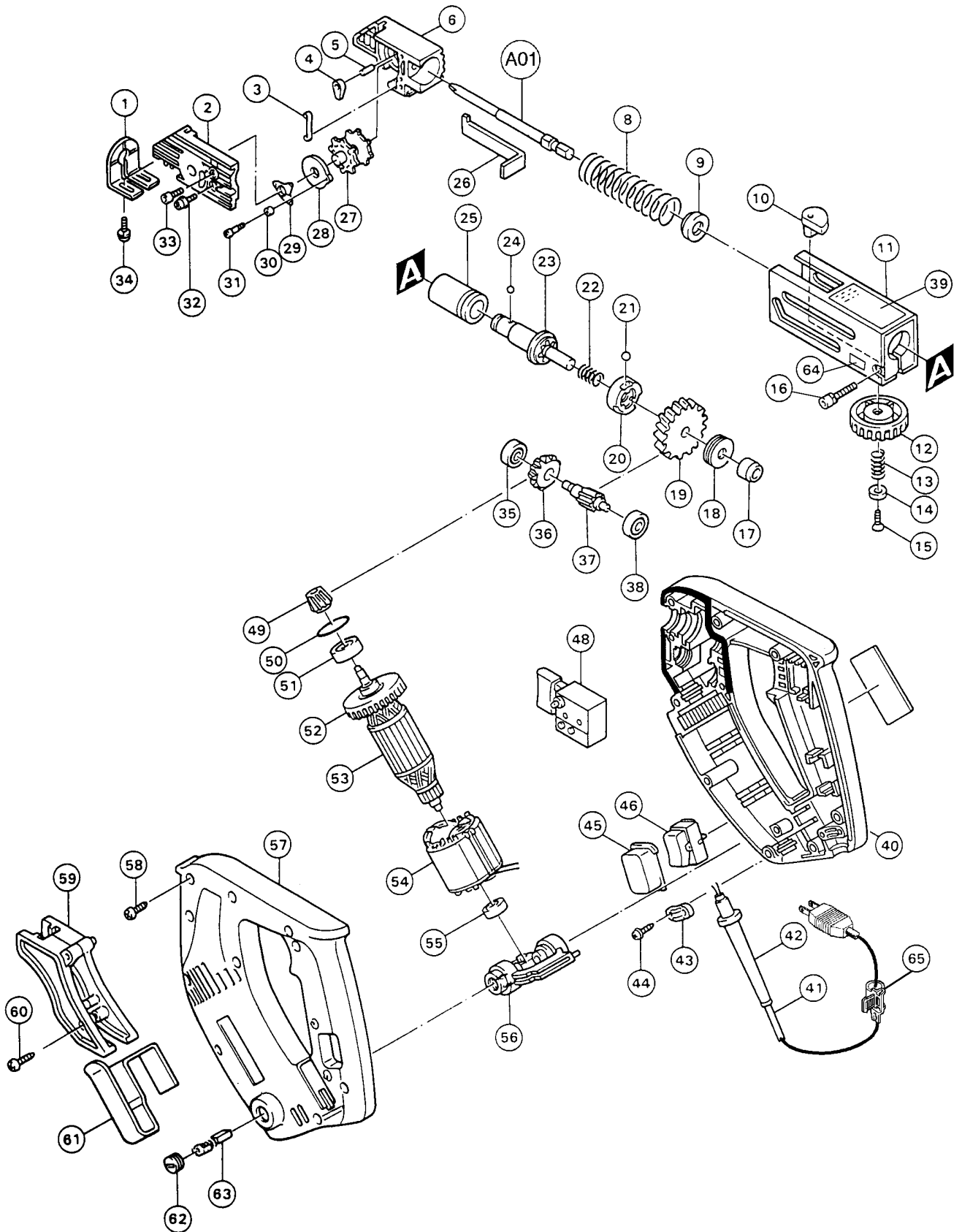
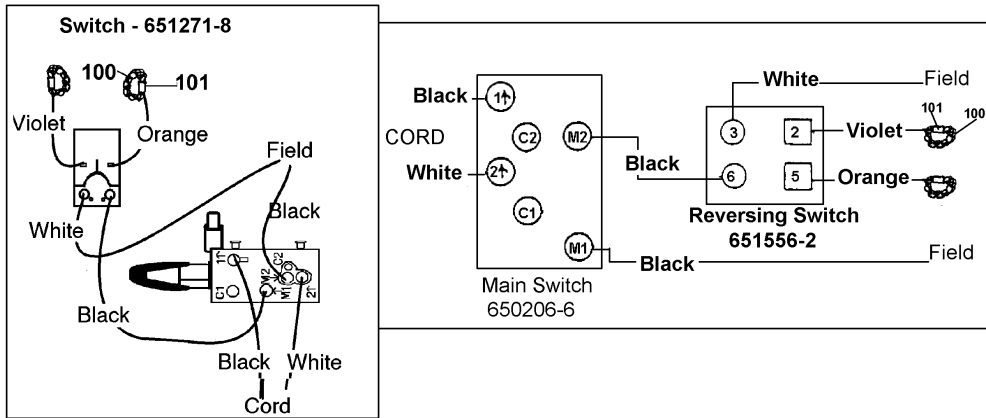




AUTO DRYWALL SCREWDRIVER Model 6830* (MJ) (Discontinued in 2002)

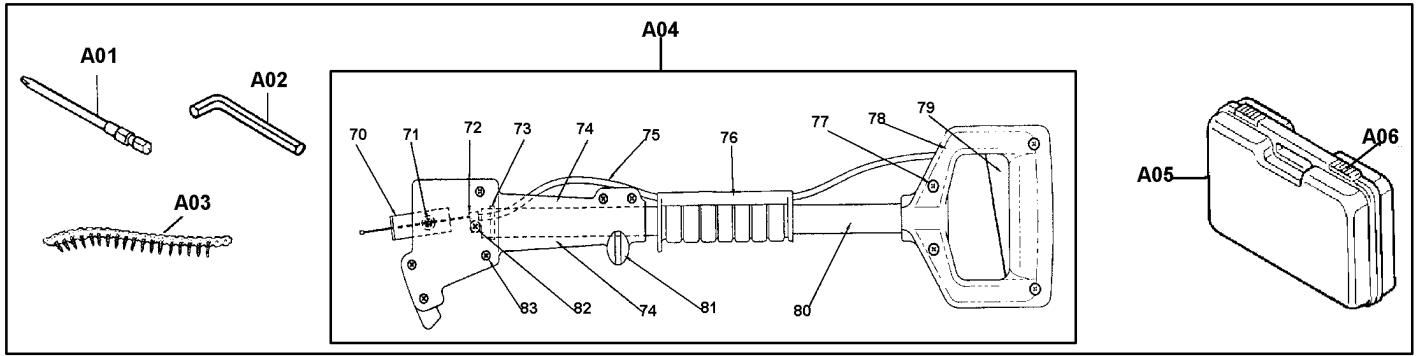


WIRING DIAGRAM



Item No.	Part No.	No. Used	Description	Item No.	Part No.	No. Used	Description
1	344054-0	1	Stopper Plate	45	421621-9	1	Dust Cover (Old 421460-7)
2	*	1	Box Cover Com. (With Pin 3 2 X 256222-2)	46	651556-2	1	Reversing Switch
3	232132-7	1	Leaf Spring	48	650206-6	1	Speed Control Switch V.S.(Type 2) (Old 651271-8 - Type 1)
4	311923-0	1	Stopper	49	226704-8	1	Spiral Bevel Gear 15
5	256254-9	1	Pin 3 (Old 256222-2)	50	213008-7	1	O Ring 22.4 (Type 1)
6	*	1	Feeder Box Com. (With Pin 3 2 X 256222-2)		213380-7	1	O Ring 24 (Type 2)
8	233066-7	1	Compression Spring 21	51	211061-7	1	Ball Bearing 6000LLB
9	421467-3	1	Dust Cover	52	241869-5	1	Fan 55
10	*	1	Shifter Pin	53	517061-8	1	Armature Assy (Includes Items 51, 52 & 55)
11	*	1	Casing Com.	54	633256-6	1	Field
12	*	1	Knob 40	55	210025-8	1	Ball Bearing 627LLB (Old 211026-9)
13	233089-5	1	Compression Spring 12	56	152433-6	1	Holder Arm Com. (Includes 2 X 643917-0 Brush Holder - Type 1) (2X643932-4 - Brush Holder - Type 2)
14	267117-4	1	Flat Washer 6	57	182601-7	1	Housing Set (Old 415311-4 - N.L.A.)
15	912117-6	1	Countersunk Head Screw M4x12	58	265925-7	10	Tapping Screw BT4x20
16	922146-1	1	Hex Socket Head Bolt M4x25	59	415352-0	1	Screw Guide
17	214028-4	1	Plane Bearing 8	60	265925-7	1	Tapping Screw BT4x20
18	212042-4	1	Thrust Needle Bearing 821	61	344056-6	1	Hook
19	226413-9	1	Helical Gear 55	62	643550-8	2	Brush Holder Cap 5-8
20	223095-8	1	Clutch Cam	63	191938-1	1	Carbon Brush CB-408
21	216008-6	3	Steel Ball 4		191939-9	1	Auto Cut-Off Carbon Brush CB-410 (Optional)
22	233006-5	1	Compression Spring 9	64	816282-2	1	Indication Label
23	223094-0	1	Spindle	65	410048-8	1	Wrench Holder 3.4
24	216001-0	1	Steel Ball 3.5	70	165156-7	1	Hook
25	214160-4	1	Plane Bearing 14	71	922107-1	1	Hex. Socket Head Bolt M4X8
26	*	1	Plate	72	687668-5	1	Strain Relief (N/A)
27	311921-4	1	Ratchet Wheel	73	951122-8	1	Spring Pin 4-28
28	311976-9	1	Ratchet Disc	74	182763-1	1	Clamper Set
29	232133-5	1	Leaf Spring	75	168280-5	1	Switch Wire
30	257664-3	1	Sleeve 4	76	422025-8	1	Grip (N/A)
31	265036-8	1	(+) Flat Head Screw M3x5	77	265995-6	4	Tapping Screw 4X18
32	911133-5	1	P.H. Screw M4x18	78	182764-9	1	Handle Set (N/A)
33	922107-1	2	Hex Socket Head Bolt M4x8	79	415844-9	1	Hook (N/A)
34	922132-2	2	Hex Socket Head Bolt M4x18 (Old 922107-1)	80	331471-3	1	Pipe 24 (N/A)
35	211014-6	1	Ball Bearing 606				
36	226705-6	1	Spiral Bevel Gear 22				
37	226412-1	1	Helical Gear 14				
38	211014-6	1	Ball Bearing 606				
39	816269-4	1	Indication Label				
40	182601-7	1	Housing Set (Old 415310-6)				
41	664013-1	1	Cord With Plug 2P-18-2.5				
42	682502-4	1	Cord Guard 8-85				
43	687063-9	1	Strain Relief				
44	265995-6	2	Tapping Screw 4x18				

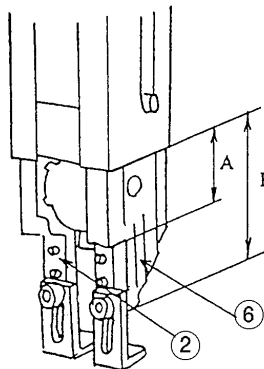
* SEE SERVICE CHANGES



Item No.	Part No.	No. Used	Description	Item	Part No.	No.	Description
81	251878-6	1	Screw M5X20	A02	783201-2	1	Hex Wrench 3
82	911233-1	1	P.H. Screw M5X20	A03	-----	1	Autofeed Strip Screws (See Catalogue for Details)
83	911138-5	6	P.H. Screw M4X20	A04	192501-3	1	Extension Handle (Includes Items 70 - 83)
100	654100-4	2	Garter Spring	A05	824421-0	1	Plastic Carrying Case (Includes Item A06)
101	654501-6	2	Solderless Connector P-1.25	A06	182935-8	1	Slide Latch Set (2pcs/Set)
Accessories							
A01	784233-2	1	Phillips Bit 2-117				
	A-12697	5	Phillips Bit 2-117 (5/pkg)				

SERVICE CHANGES

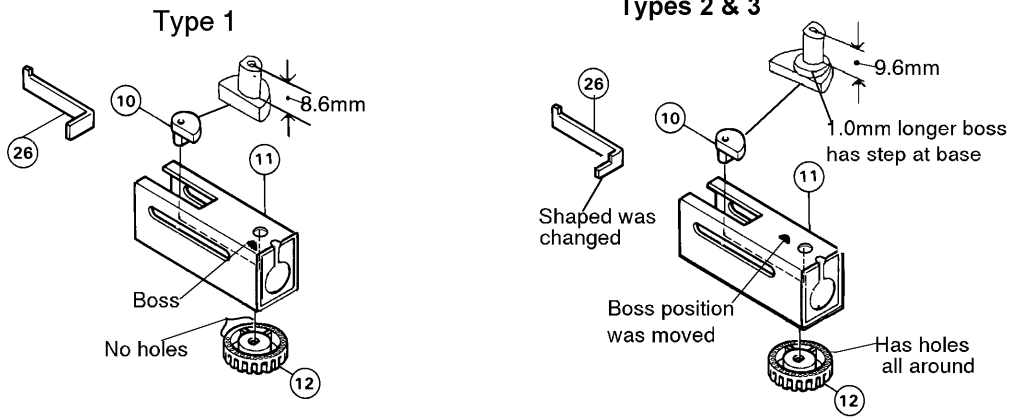
1. Change on Feeder Box Com. and Box Cover Com.



	Current Type	New Type
A	23mm(29/32")	24mm(15/16")
B	46mm(1-13/16")	47mm(1-27/32")

Item No.	Description	Current Type	New Type
2	Box Cover Com.	152425-5 (No Longer Available)	152502-3
6	Feeder Box Com.	152424-7 (No Longer Available)	152501-5

2. Change on Casing Com., Shifter Pin, Plate & Knob 40.



Item No.	Description	Type 1	Type 2	Type 3
10	Shifter Pin	311924-8	310008-9	
11	Casing Com.	150503-5 (No Longer Available)	150566-1 (No Longer Available)	150565-3
12	Knob 40	415451-8	415829-5	
26	Plate	344055-8 (No Longer Available)	344308-5	
	Serial No.	- 13472E	13473E -	

1. When changing Type 1 Shifter Pin (Item # 10), please replace with Type 2 Items 10, 11, 12 & 26 at the same time.
2. When changing Casing Com. (Item # 11), please replace with Type 2 Items 11 & 12.
3. Type 1 & Type 2 parts are interchangeable as themselves on Items 12 & 26.

SERVICE REPAIR NOTE

To Improve Grease Sealing The Adhesive "Super Three Bond TB1215" Has Been Added. (See Illustraion Below) From Serial # 37374E ~

