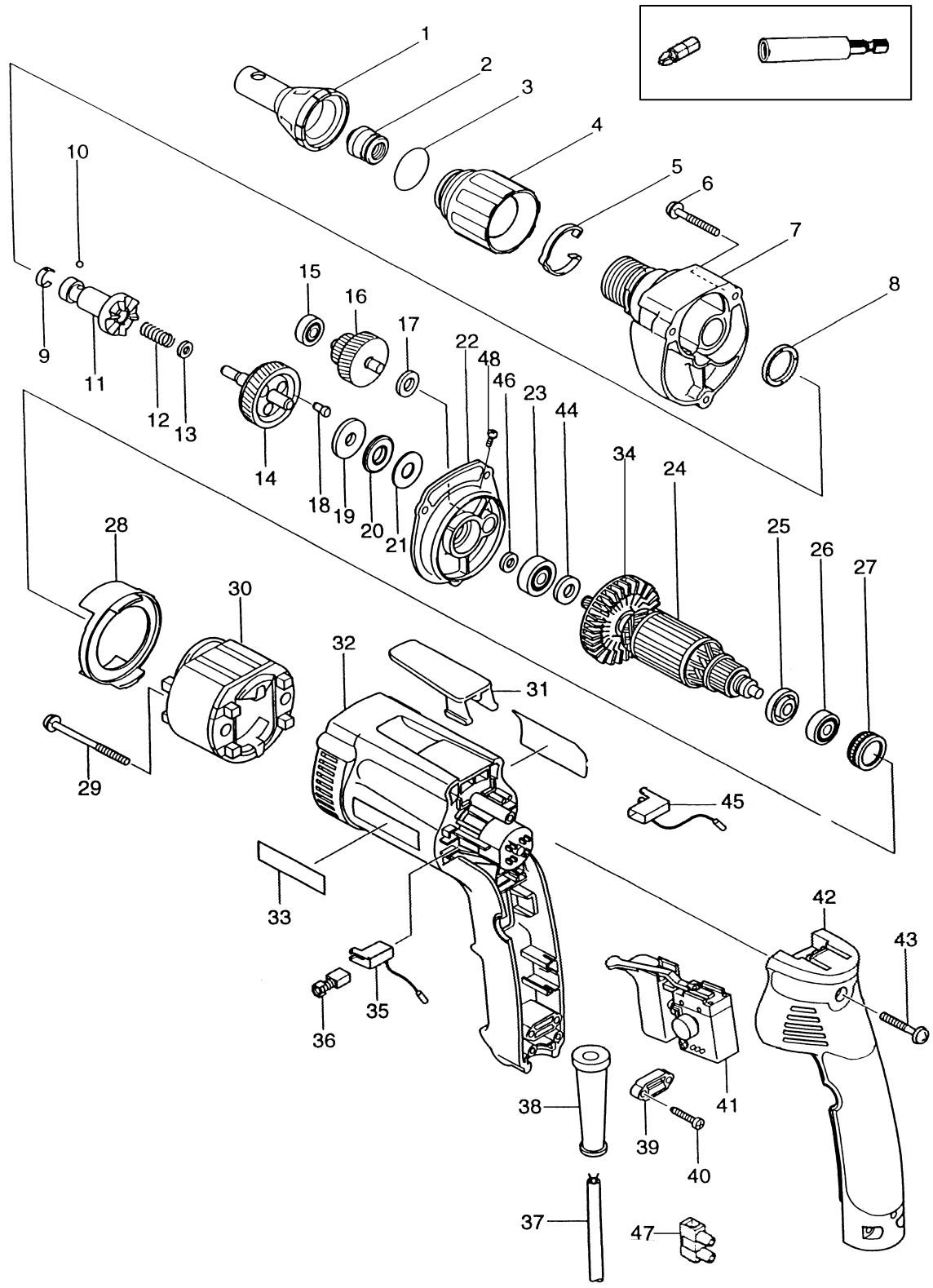
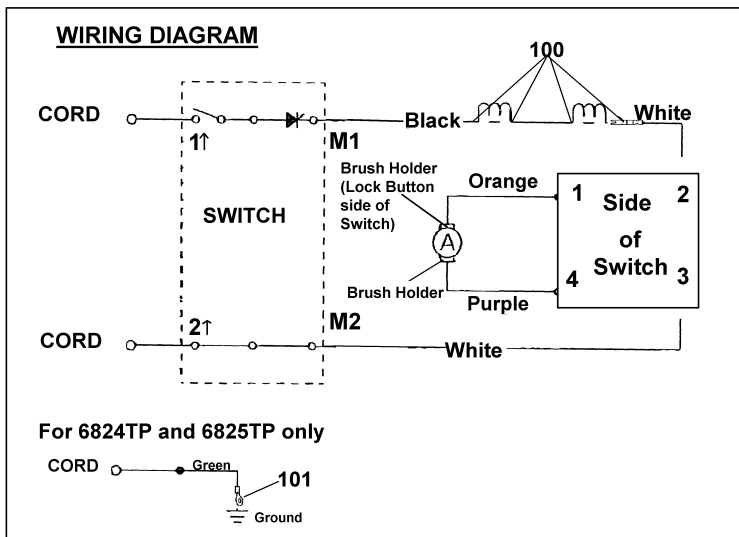




DRYWALL SCREWDRIVER 0-2500 RPM  
DRYWALL SCREWDRIVER 0-4500 RPM  
DRYWALL SCREWDRIVER 0-6000 RPM

Model 6823 (MJ)(MCC)  
Model 6824 (MJ)(MCC)  
Model 6824TP (MJ)(MCC)  
Model 6825 (MJ)(MCC)  
Model 6825TP (MJ)(MCC)





Item No.	Part No.	No. Used	Description	Item No.	Part No.	No. Used	Description
1	151726-8	1	Locator Com.		151724-2	1	Gear Housing Cover Com. (6824TP)
2	421631-6	1	Dust Seal Ring	23	210007-0	1	Ball Bearing 608VV
3	213373-4	1	O Ring 22				
4	416994-3	1	Lock Ring	24	517321-8	1	Armature Assy (Includes Items 23, 25, 26, 34 & 44) (6823, 6824, 6824TP)
5	232154-7	1	Leaf Spring		517326-8	1	Armature Assy (Includes Items 23, 25, 26, 34 & 44) (6825, 6825TP)
6	265999-8	3	Tapping Screw 4x25 (6824, 6824TP, 6825, 6825TP)	25	681636-0	1	Insulation Washer
	266050-7	3	Tapping Screw 4x30 (6823)	26	211021-9	1	Ball Bearing 607LLB
7	151719-5	1	Gear Housing Com. (6823)	27	421479-6	1	Rubber Ring 19
	151720-0	1	Gear Housing Com. (6824, 6824TP, 6825, 6825TP)	28	416993-5	1	Baffle Plate
8	<b>421766-3</b>	1	Ring 20 (Old 421710-0)	29	266147-2	2	Tapping Screw 4x55
9	232050-9	1	Leaf Spring	30	633441-1	1	Field
10	216001-0	1	Steel Ball 3.5	31	<b>417625-7</b>	1	Hook (Old 416996-9)
11	151788-6	1	Spindle Com.	32	<b>151960-0</b>	1	Motor Housing Com. (6825) (Old 151793-3)
12	233257-0	1	Compression Spring 8		151810-9	1	Motor Housing Com. (Includes 818572-9 - Earth Mark Label)(6825TP)
13	267202-3	1-2	Flat Washer 8		151811-7	1	Motor Housing Com. (Includes 818572-9 - Earth Mark Label)(6824TP)
14	151789-4	1	Gear Com. (6823)		<b>183285-4</b>	1	Motor Housing (6823, 6824) (Old 416982-0, 417168-9)
	151790-9	1	Gear Com. (6824, 6824TP)				
	151791-7	1	Gear Com. (6825, 6825TP)	33	819063-3	1	Makita Label
15	211014-6	1	Ball Bearing 606 (6823)	34	240022-0	1	Fan 22
16	226133-5	1	Gear Com. 17-35 (6823)				
17	267017-8	1	Flat Washer 8 (6823)				
18	<b>256467-2</b>	3	Pin 4 (Old 256439-7)	35	643948-9	2	Brush Holder (6824, 6824TP, 6825, 6825TP)
19	216213-5	1	Washer 824		643952-8	1	Brush Holder (6823)
20	216415-3	1	Thrust Needle Gauge 821				
21	216212-7	1	Washer 821	36	191927-6	2	Carbon Brush CB-407 (2pcs/Set)
22	*	1	Gear Housing Cover Com. (6823)				
	151722-6	1	Gear Housing Cover Com. (6824, 6825, 6825TP)				

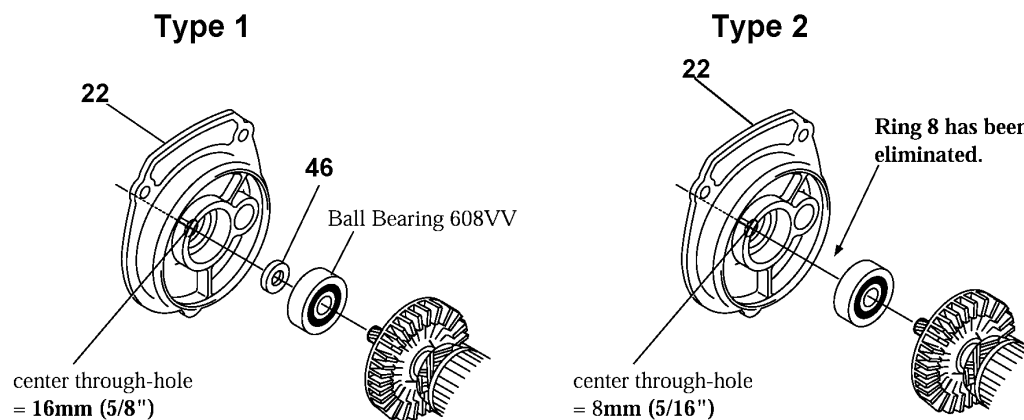
- 2 Model 6823
- 2 Model 6824
- 2 Model 6824TP
- 2 Model 6825
- 2 Model 6825TP

Item No.	Part No.	No. Used	Description	Item No.	Part No.	No. Used	Description
37	660400-2	1	Cord With Twist Plug 3P-18-15m (6824TP, 6825TP)	44	253139-0	1	Flat Washer 8
	664013-1	1	Cord With Plug 2P-18-2.5m) (6823, 6824, 6825)	45	643951-0	1	Brush Holder (6824, 6824TP, 6825, 6825TP)
					643953-6	1	Brush Holder (6823)
38	<b>682566-8</b>	1	Cord Guard 8 (Old 682559-5)	46	262087-2	1	Ring 8 *
39	687063-9	1	Strain Relief	47	654532-5	1	Terminal Block 1P(6824TP, 6825TP)
40	265995-6	2	Tapping Screw 4x18	48	652014-1	1	P.H. Screw M4x8 (6824TP, 6825TP)
41	651978-6	1	Switch	100	654121-6	4	Tab
42	151725-0	1	Handle Cover Com (Includes 263002-9 - Rubber Pin 4) (6824TP, 6825TP)	101	654002-4	1	Terminal 1.25-M4 (6824TP, 6825TP)
	<b>151961-8</b>	1	Handle Cover Com (Includes 263002-9 - Rubber Pin 4) (6823, 6824, 6825)	<b>Accessories</b>			
43	265999-8	3	Tapping Screw 4x25	A01	- - - -	1	Bit (See Catalogue for Details)
				A02	784801-1	1	Magnetic Bit Holder 6.35-76
					784807-9	1	Magnetic Bit Holder 6.35-60

\* SEE SERVICE CHANGES

## SERVICE CHANGES

### 1. Change on Gear Housing Cover Com. Etc. (6823 ONLY)



Item No.	Description	Type 1	Type 2
22	Gear Housing Cover	151721-8	<b>152910-8</b>
46	Ring 8	262087-2	- - - -
	Serial #	~ 16077E	16078E ~

Above parts are completely interchangeable as a set.

3 Model 6823  
3 Model 6824  
3 Model 6824TP  
3 Model 6825  
3 Model 6825TP