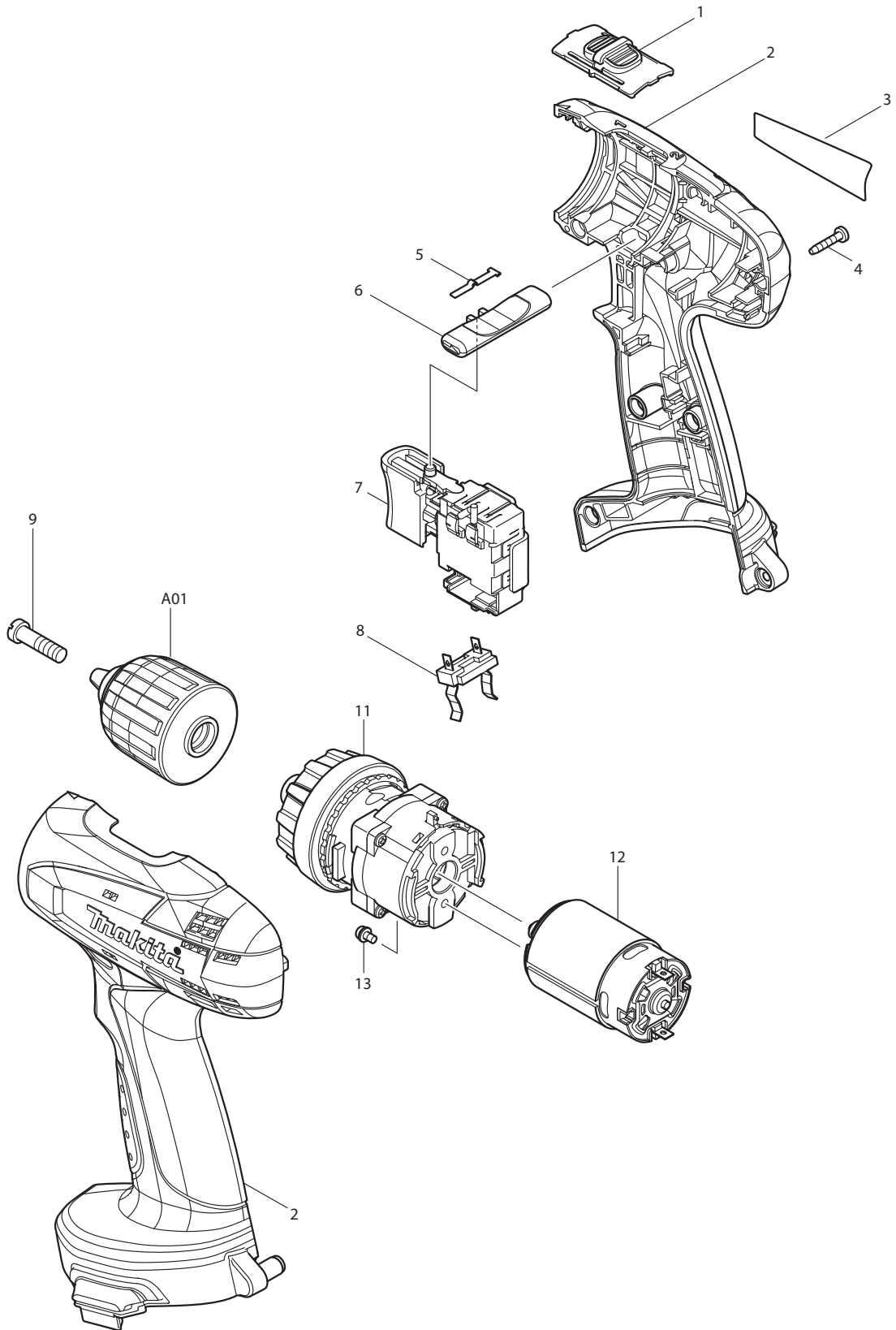




11 - 2009  
6281DWPE / 6281DWPEX / 6281DWPET2  
14.4V - 3/8" DRIVER DRILL KIT



Item No	Type	Ref	Part No	Description	Qty	Unit
1			125310-5	SPEED CHANGE LEVER ASSY	1	PC.
		INC.	231433-0	COMPRESSION SPRING 4	2	PC.
2	1		188512-4	HOUSING SET	1	SE.
	2		187301-4	HOUSING SET	1	SE.
3			865168-7	NAME PLATE F/6281D	1	PC.
4			266130-9	TAPPING SCREW BIND PT 3X16	9	PC.
5			232182-2	LEAF SPRING	1	PC.
6			450584-2	F/R CHANGE LEVER	1	PC.
7	1		650601-0	SWITCH TG563FSB-2	1	PC.
	2		650663-8	SWITCH TG563FSB-2	1	PC.
	3		650672-7	SWITCH TG563FSB-2	1	PC.
8			643909-9	BATTERY HOLDER	1	PC.
9			251468-5	- FLAT HEAD SCREW M6X22	1	PC.
11			125482-6	GEAR ASSEMBLY	1	PC.
12			629819-4	DC MOTOR	1	PC.
13			911003-8	PAN HEAD SCREW M3X6	2	PC.

### ACCESSORIES

A01	1		766002-3	3/8" KEYLESS DRILL CHUCK BULK	1	PC.
	2		196309-7	3/8" KEYLESS DRILL CHUCK PKG	1	PC.
A02	1		DC1414	CHARGER DC1414(7.2-14.4V/1.3-3.0AH)	1	PC.
	2		DC1804	CHARGER DC1804 (7.2V-- 18V/1.3 ~ 3.0AH)	1	PC.
	Opt.		DC1822	3.0AH)	1	PC.
A03			193987-4	14.4V NI-CAD BATTERY PA14	2	PC.
			638350-9	14.4V NI-CAD BATTERY PA14-BULK	2	PC.
			638350-9-2	14.4V NI-CAD BATTERY PA14 2/PK	1	PK
A04			414938-7	BATTERY COVER	2	PC.
A05			784636-0	+ - BIT 2-65	1	PC.
A06			824852-3	PLASTIC CARRYING CASE	1	PC.
		INC.	419360-3	HANDLE (PLASTIC)	1	PC.
		INC.	163455-1	LATCH (METAL)	2	PC.
A07			194256-6	TOOL CHEST (6281DWPET2) - N/A individually	1	PC.
A08			T-01177	99PC. DRILL & DRIVER ACCESSORY KIT (6281DWPEX)	1	PC.
A09			821010-X	TOOL BAG 14" (6281DWPEX)	1	PC.