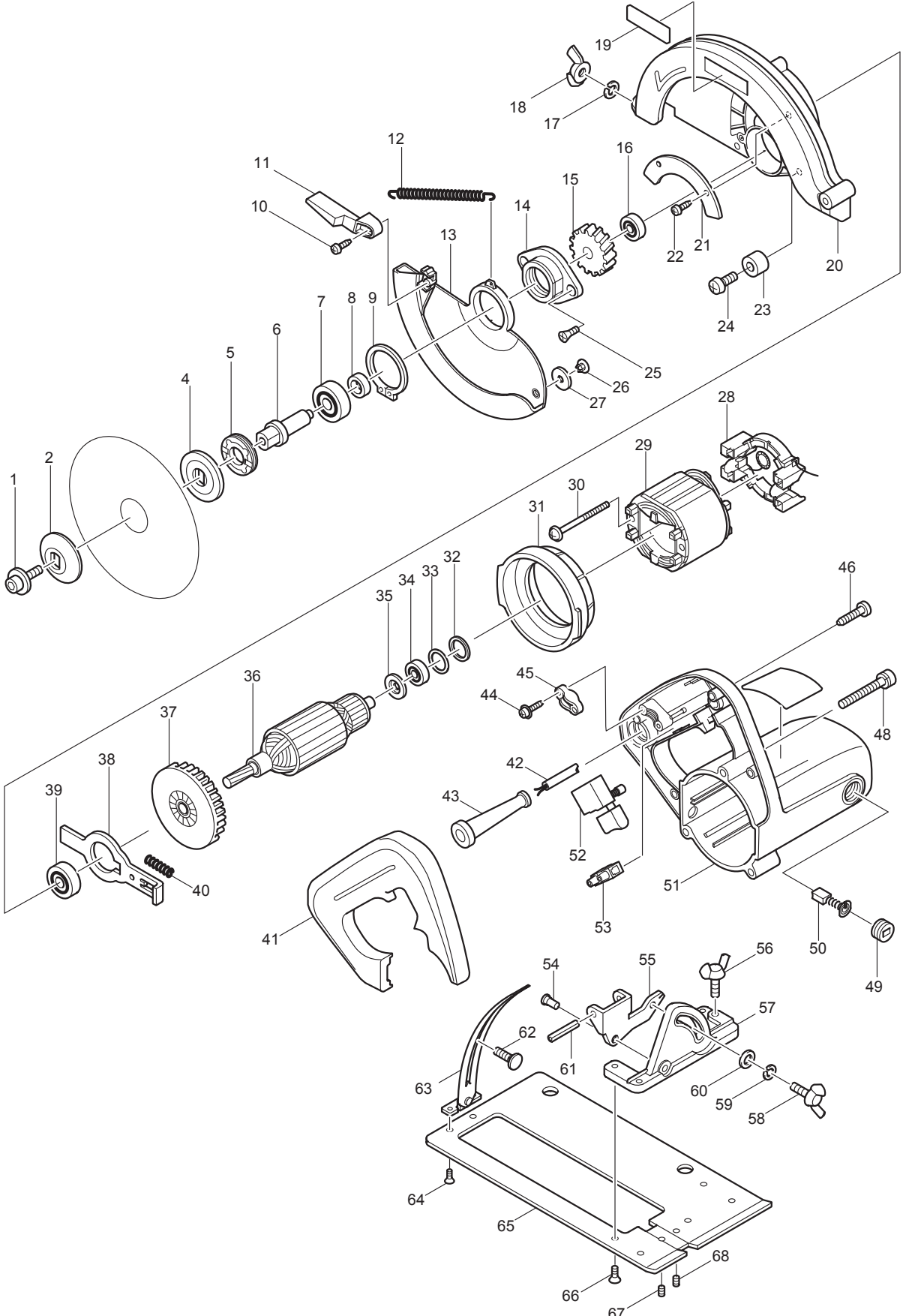




02 - 2010  
5740NB  
7-1/4" CIRCULAR SAW



Item N	Type	Ref	Part No	Description	Qty	Unit
1			266024-8	HEX. SOCKET HEAD BOLT M6X20	1	PC.
2			224275-9	OUTER FLANGE 40	1	PC.
4			224151-7	INNER FLANGE 40	1	PC.
5			285802-7	BEARING RETAINER 19-33	1	PC.
6			323763-4	SPINDLE	1	PC.
7			211129-9	BALL BEARING 6201DDW	1	PC.
8			257173-2	RING 12	1	PC.
9			961155-5	RETAINING RING S-38	1	PC.
10			266026-4	TAPPING SCREW BIND CT 4X12	1	PC.
11			415799-8	LEVER	1	PC.
12			231818-0	TENSION SPRING 4	1	PC.
13			317717-1	* SAFETY COVER	1	PC.
14			317035-7	BEARING BOX	1	PC.
15			226461-8	HELICAL GEAR 47	1	PC.
16	1		211014-6	BALL BEARING 606	1	PC.
	2		211012-0	BALL BEARING 606ZZ	1	PC.
17			942151-2	SPRING WASHER 6	1	PC.
18	1		934301-3	* WING NUT M6	1	PC.
	2		252624-0	* WING NUT M6	1	PC.
19			819063-3	* MAKITA LABEL (OLD)	1	PC.
20			153664-0	* BLADE CASE COMPLETE	1	PC.
		INC.	263002-9	* RUBBER PIN 4	1	PC.
21			344365-3	COVER PLATE	1	PC.
22			266026-4	TAPPING SCREW BIND CT 4X12	2	PC.
23	1		262502-6	* RUBBER SLEEVE 6	1	PC.
	2		I02904	* RUBBER SLEEVE 6	1	PC.
24			251247-1	+ PAN HEAD SCREW M6X20	1	PC.
25			265034-2	+ COUNTERSUNK HEAD SCREW M5X16	2	PC.
26			415437-2	ROLLER PIN 6	1	PC.
27			415438-0	ROLLER 20	1	PC.
28	2		135486-0	SUPPORT ASSY - N/L/A	1	PC.
		INC.	632673-7	SUPPORT COMPLETE	1	PC.
		INC.	654020-2	RING TERMINAL	1	PC.
		INC.	654501-6	CONNECTOR P-1.25	1	PC.
28	3		632673-7	SUPPORT COMPLETE	1	PC.
29			634156-3	FIELD 115V	1	PC.
30			266044-2	TAPPING SCREW 5X60	2	PC.
31			415873-2	BAFFLE PLATE	1	PC.
32			261109-5	RUBBER WASHER 13	1	PC.
33			253192-6	FLAT WASHER 14	1	PC.
34			211033-2	BALL BEARING 608LB	1	PC.
35			681613-2	INSULATION WASHER	1	PC.
36			516271-4	ARMATURE ASS'Y 115V	1	PC.
		INC.		Item No. 34,35,37,39		
37			241858-0	FAN 70	1	PC.
38			344317-4	SHAFT LOCK	1	PC.
39			211097-6	BALL BEARING 6000LLB	1	PC.
40			233092-6	COMPRESSION SPRING 5	1	PC.
41	1		415978-8	* HANDLE COVER	1	PC.
	2		417077-2	* HANDLE COVER	1	PC.
42			664265-4	CORD W/PLUG 2P-16-2.5, SJ	1	PC.
43			682505-8	CORD GUARD 10-90	1	PC.

Item N	Type	Ref	Part No	Description	Qty	Unit
44			265995-6	TAPPING SCREW 4X18	2	PC.
45	2		687123-7	CORD CLAMP (STRAIN RELIEF)	1	PC.
46			266045-0	TAPPING SCREW 4X20	4	PC.
48			911268-2	PAN HEAD SCREW M5X45	3	PC.
49			643750-0	BRUSH HOLDER CAP	2	PC.
50	1		191963-2	CARBON BRUSH CB-303 2PC/SET (W/O ORIGIN) -N/L/A	1	SET
	2		194996-6	CARBON BRUSH CB-303 2PC/SE (W/ ORIGIN)	1	SET
51			151785-2	* MOTOR HOUSING COMPLETE	1	PC.
	INC.		643708-9	* BRUSH HOLDER 5-11	2	PC.
52			651288-1	SWITCH SGEN115C-3	1	PC.
53			654532-5	TERMINAL BLOCK 1P	1	PC.
54	1		256442-8	SHOULDER PIN 6-7	1	PC.
	2		256480-0	SHOULDER PIN 6-7	1	PC.
55			344318-2	ANGULAR GUIDE	1	PC.
56	1		924316-8	* WING BOLT M6X15	1	PC.
	2		265701-9	* SCREW M6X14	1	PC.
57			317031-5	ANGULAR PLATE	1	PC.
58	1		924326-5	* WING BOLT M6X20	1	PC.
	2		265708-5	* SCREW M6X20	1	PC.
59			942151-2	SPRING WASHER 6	1	PC.
60			941151-9	FLAT WASHER 6	1	PC.
61			951222-4	SPRING PIN 6-36	1	PC.
62			266018-3	F. HEAD SQUARE NECK BOLT M6X26	1	PC.
63			163401-4	DEPTH GUIDE COMPLETE	1	PC.
64			912107-9	COUNTERSUNK HEAD SCREW M4X8	2	PC.
65			344632-6	BASE	1	PC.
66			912212-2	COUNTERSUNK HEAD SCREW M5X12	5	PC.
67			913206-0	SET SCREW M5X8	1	PC.
68			913206-0	SET SCREW M5X8	1	PC.
70			410047-0	WRENCH HOLDER 5.6	1	PC.
71			266045-0	* TAPPING SCREW 4X20 (Added)	1	PC.
100			652008-6	P.H. SCREW M3.5 X 7	2	PC.
101			654037-5	INSLTED TERMINAL FK1.25-M3	2	PC.
102			654077-3	INSULATED TERMINAL FK2-M3D-5.5	1	PC.
103	3		654020-2	RIN TERMINAL	2	PC.
104	3		654501-6	CONNECTOR P-1.25	2	PC.
105			I02903	* STOPPER (Added)	1	PC.

### **ACCESSORIES**

- See catalogue or visit [www.makita.ca](http://www.makita.ca) for optional accessory -

A01			164095-8	GUIDE RULE	1	PC.
A02			783203-8	HEX. WRENCH 5	1	PC.
A03			122653-6	GRIP COM. (Optional)	1	PC.
A04			721264-A	7-1/4"MAKEDGE BLADE16T(MIN/10) - N/L/A	1	PC.
			D-24826-10	7-1/4" C.T. SAW BLADE 24T 10/PK	1	PC.
			D-35352-10	7-1/4" C.T. SAW BLADE 24T 10/PK	1	PC.

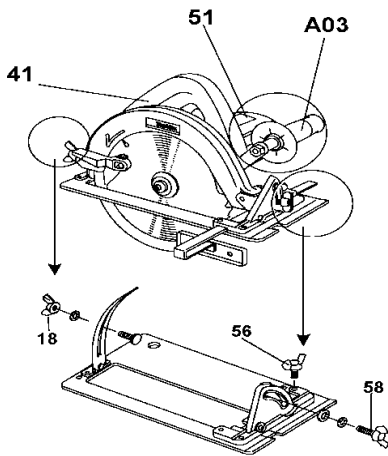
**SERVICE CHANGES**

**1. Changes on Motor Housing, Handle Cover etc.**

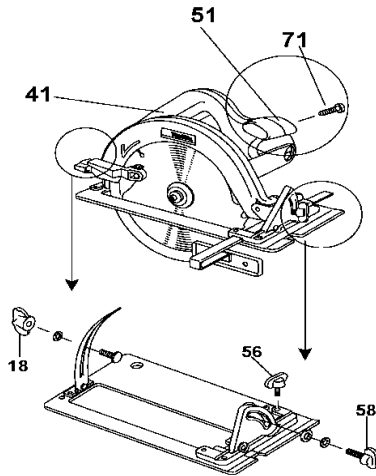
Item No.	Description	Type 1	Type 2
18	Wing Nut M6	934301-3	252624-0
41	Handle Cover	415978-8	417077-2
51	Motor Housing Com.	15952-6	151785-2
56	Wing Bolt / Tumb Screw	924316-8	265701-9
58	Wing Bolt / Tumb Screw	924326-5	265708-5
71	Tapping Screw	-----	266045-0

Item No. 41, 51 and 71 are completely interchangeable as a set.  
 Item 18, 56 & 58 are interchangeable as themselves.

**Type 1**



**Type 2**



## 2. Changes on Safety Cover and Blade Case Complete

Item No.	Description	Type 1	Type 2	Type 3
13	Safety Cover	317033-1	317703-2	317717-1
20	Blade Case Com.	152584-5	153664-0	
			Makita label	Black printed Makita logo
19	Makita label	819063-3		-----
23	Rubber Sleeve 6	262502-6		I02904
105	Stopper	-----		I02903

Above parts are completely interchangeable as a set.

\*\*\*When either the Safety Cover or the Blade Case Complete is not the new one (Type 3), you can comply with this modification by replacing Rubber Sleeve 6 (Part No. 262502-6) with both Rubber Sleeve 6 (Part No. I02904) and Stopper (Part Nos. I02903) as illustrated below

