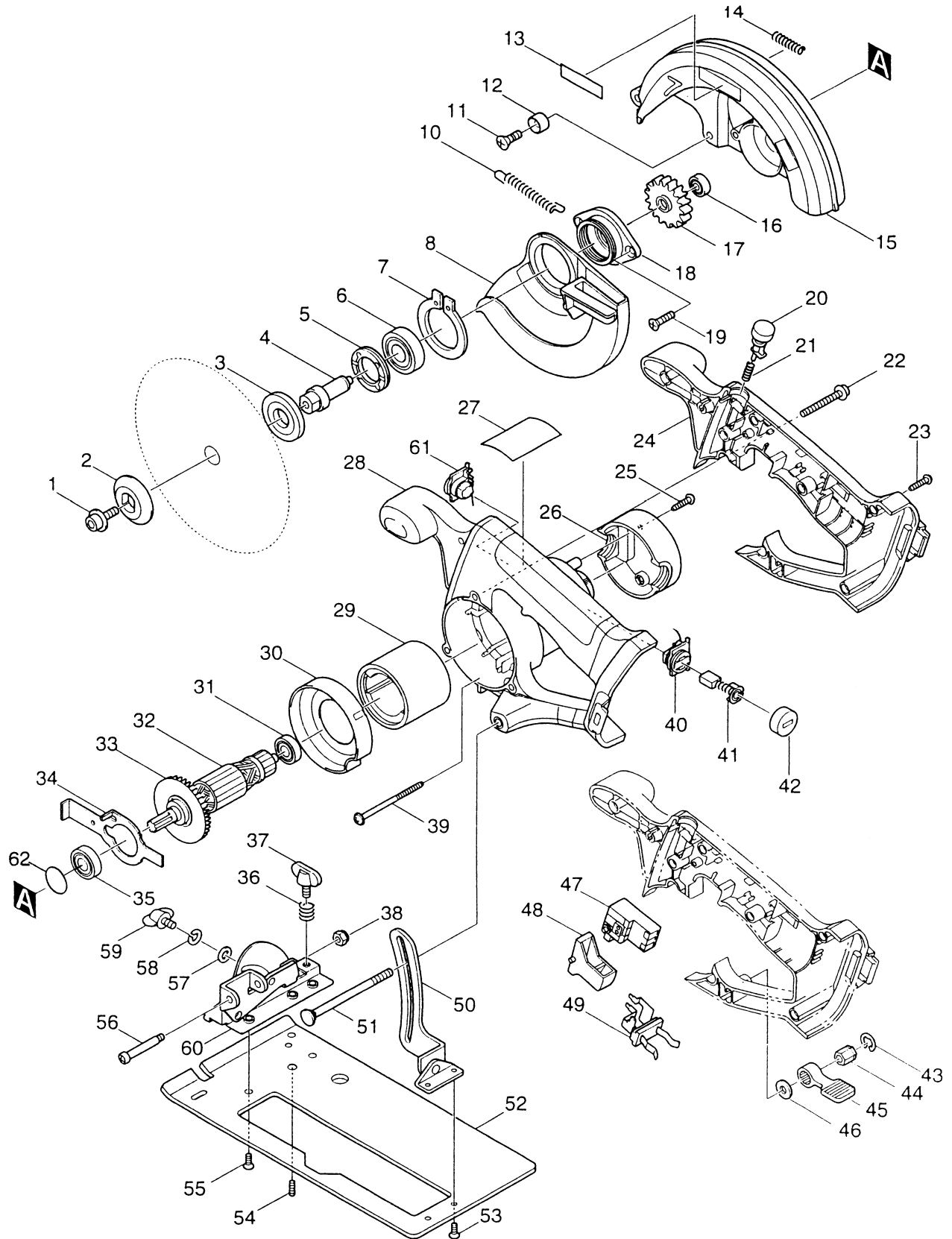


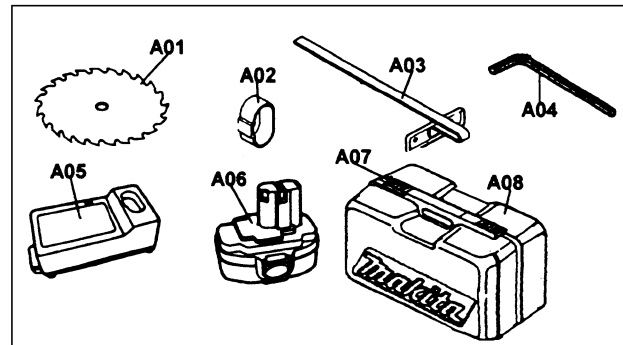
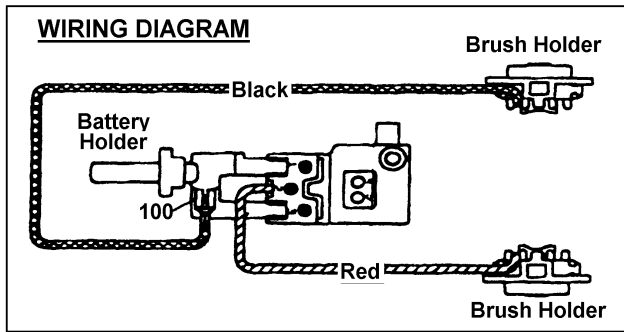


# 18V 6-1/2" CIRCULAR SAW KIT

(Blade - Left)

Model 5620DWA(MCA)



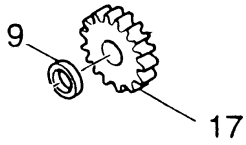


Item No.	Part No.	No. Used	Description	Item No.	Part No.	No. Used	Description
1	266133-3	1	Hex Socket Head Bolt M6X20	40	643939-0	2	Brush Holder
2	224275-9	1	Outer Flange 40	41	191970-5	2	Carbon Brush CB-429 (2pcs/Set)
3	224151-7	1	Inner Flange 40 (For 5/8")	42	643941-3	2	Holder Cap
4	323797-7	1	Spindle	43	961014-3	1	Stop Ring E-8
5	<b>285834-4</b>	1	Bearing Retainer 19-33 (Old 285802-7)	44	252158-3	1	Hex Nut M6
6	211129-9	1	Ball Bearing 6201DDW	45	272229-0	1	Lever 40
7	961155-5	1	Retaining Ring S-38	46	253804-1	1	Falt Washer 6
8	416596-5	1	Safety Cover	47	651956-6	1	Switch
9	*	1	Ring 12 (Type 1)	48	416642-4	1	Switch Lever
10	231821-1	1	Tension Spring 3	49	643942-1	1	Battery Holder
11	251368-9	1	(+) Countersunk Screw M6	50	163404-8	1	Depth Com.
12	262049-0	1	Rubber Ring 6	51	266194-3	1	Flat Head Screw M6X90
13	819080-3	1	Makita Label	52	317074-7	1	Base
14	233092-6	1	Compression Spring 5	53	<b>265085-5</b>	2	Countersunk Head Screw M4X8 (Old 912107-9)
15	150995-8	1	Blade Case Com. (Includes Items 62 & 810939-7 - Caution Label)	54	266180-4	1	(+) Screw M5X12
16	211014-6	1	Ball Bearing 606	55	<b>265086-3</b>	3	Countersunk Head Screw M5X8 (Old 912202-5)
17	*	1	Spur Gear 53	56	265056-2	1	(+) P.H. Screw M5
18	316766-5	1	Bearing Box	57	941151-9	1	Flat Washer 6
19	265034-2	2	(+) Countersunk Head Screw M5x16	58	942151-2	1	Spring Washer 6
20	416644-0	1	Switch Button	59	265701-9	1	Screw M6X14
21	233194-8	1	Compression Spring 4	60	163403-0	1	Angular Com.
22	911263-2	3	P.H. Screw M5X40	61	643940-5	1	Brush Holder
23	265995-6	6	Tapping Screw 4X18	62	<b>213434-0</b>	1	O Ring 26 (Added)
24	416638-5	1	Handle Cover	100	654187-6	1	Receptacle
25	265995-6	2	Tapping Screw 4X18	<b>Accessories</b>			
26	416639-3	1	Rear Cover	A01	A-85092	1	6-1/2" T.C.T. Saw Blade 24 Teeth (Arbor: 5/8")
28	416640-8	1	Motor Housing	A02	414938-7	1	Battery Cover
29	632828-4	1	Yoke Unit	A03	164095-8	1	Guide Rule
30	416641-6	1	Baffle Plate	A04	783203-8	1	Hex Wrench 5
31	<b>210023-2</b>	1	Ball Bearing 627DDW (Old 211026-9 & 210025-8)	A05	DC1801	1	DC1801 Battery Charger For 7.2V ~ 14.4V & 1.3Ah ~ 3.0Ah Ni-Cad & Ni-MH Batteries
32	519045-2	1	Armature Assy (Includes Items 31, 33 & 35)	A06	192827-3	1	18V Ni-Cad Battery 1822 (2.0Ah)
33	241869-5	1	Fan 55		192829-9	1	18V Ni-MH Battery 1833 (2.2Ah)
34	344657-0	1	Shaft Lock	A07	A00188-3	2	Snap Lock (L)
35	<b>211088-7</b>	1	Ball Bearing DDW (Old 211061-7)	A08	<b>824524-0A</b>	1	Plastic Carrying Case (Old 824524-0)
36	231316-4	1	Compression Spring 7				
37	265701-9	1	Screw M6X14				
38	252103-8	1	Hex Lock Nut M5-8				
39	266209-6	2	Tapping Screw MT4X60				

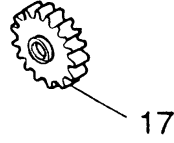
**SERVICE CHANGES**

**1. Change on Spur Gear 53 and Ring 12.**

**Type 1**



**Type 2**



Item No.	Description	Type 1	Type 2
9	Ring 12	257010-0	226391-3
17	Spur Gear 53	226370-1	
	Serial #	~ 43896A	43897A ~

Above parts are completely interchangeable as a set.