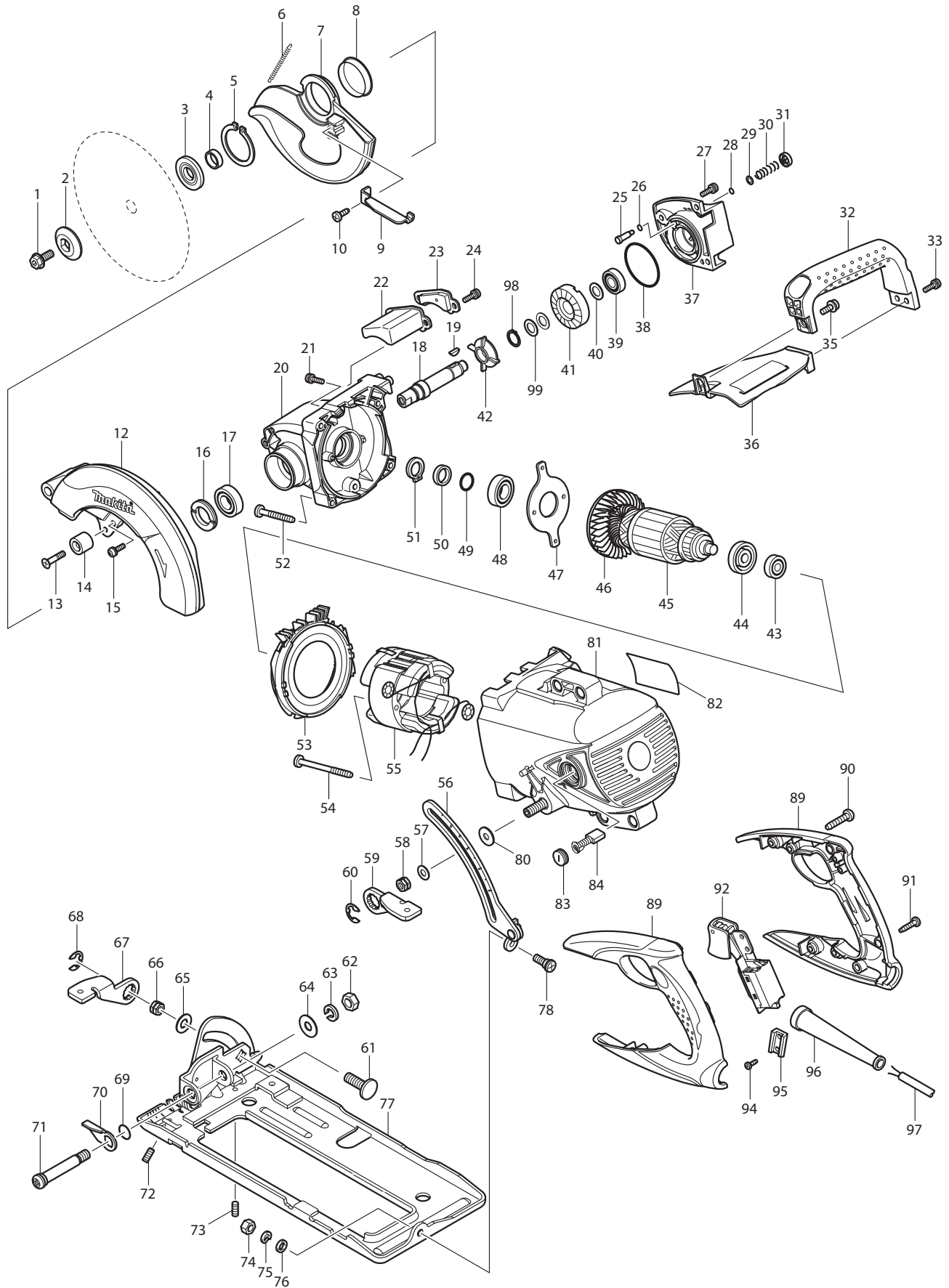




08 - 2010
5477NB
7-1/4" HYPOID SAW



PARTS LIST

Item No	Type	Part No	Description	Qty	Unit
001		266400-6	HEX. SOCKET HEX. BOLT M8X20	1	PC.
002		224275-9	OUTER FLANGE 40	1	PC.
003		224268-6	INNER FLANGE 40	1	PC.
004		257279-6	RING 17	1	PC.
005		961201-4	RETAINING RING S-42	1	PC.
006	2	231889-7	TENSION SPRING 5	1	PC.
007	2	319365-2	SAFETY COVER	1	PC.
008	1	345422-0	SPACER	1	PC.
008	2	346880-3	SPACER	1	PC.
009		346004-1	LEVER PLATE	1	PC.
010		266026-4	TAPPING SCREW BIND CT 4X12	1	PC.
012	2	319364-4	BLADE CASE	1	PC.
013		251350-8	+ COUNTERSUNK HEAD SCREW M6X28	1	PC.
014		262553-9	RUBBER SLEEVE 6	1	PC.
015	2	266036-1	PAN HEAD SCREW M5X18	3	PC.
016		285809-3	BEARING RETAINER 23-36	1	PC.
017		211251-2	BALL BEARING 6003LLB	1	PC.
018		324958-2	SPINDLE	1	PC.
019		254001-2	WOODRUFF KEY 4	1	PC.
020	2	140706-9	GEAR HOUSING COMPLETE	1	PC.
020	2	INC. 213306-9	OIL SEAL 20	1	PC.
020	2	INC. 213389-9	OIL SEAL 22	1	PC.
021		911228-4	PAN HEAD SCREW M5X18	2	PC.
022		421970-4	DECOMPRESSION CHAMBER	1	PC.
023		318079-0	PLATE	1	PC.
024		911228-4	PAN HEAD SCREW M5X18	2	PC.
025		256501-8	SHOULDER PIN 6	1	PC.
026		213005-3	O RING 5	1	PC.
027		911228-4	PAN HEAD SCREW M5X18	3	PC.
028		213005-3	O RING 5	1	PC.
029		253145-5	FLAT WASHER 6	1	PC.
030		233011-2	COMPRESSION SPRING 8	1	PC.
031		419589-1	CAP	1	PC.
032		419578-6	GRIP	1	PC.
033		911228-4	PAN HEAD SCREW M5X18	2	PC.
035		911323-0	PAN HEAD SCREW M6X16	1	PC.
036		158143-3	COVER COMPLETE	1	PC.
036	INC.	810291-3	CAUTION LABEL	1	PC.

Item No	Type	Part No	Description	Qty	Unit
037	2	319471-3	* BEARING BOX	1	PC.
038		213676-6	O RING 53	1	PC.
039		210107-6	BALL BEARING 6001ZZ	1	PC.
040		253744-3	FLAT WASHER 12	1	PC.
041		227504-9	HYPOID GEAR 36	1	PC.
042		240005-0	FAN 45	1	PC.
043	2	210199-5	BALL BEARING 6000ZZ	1	PC.
044		681640-9	INSULATION WASHER	1	PC.
045		510137-0	ARMATURE ASSEMBLY 115V	1	PC.
045	INC.	-----	Item No. 43,44,46-51	1	PC.
046		241905-7	FAN 80	1	PC.
047		285727-5	BEARING RETAINER	1	PC.
048		211251-2	BALL BEARING 6003LLB	1	PC.
049		213226-7	O RING 16	1	PC.
050		257198-6	RING 17	1	PC.
051		961077-9	RETAINING RING S-17	1	PC.
052		266373-3	TAPPING SCREW 5X35	4	PC.
053		419573-6	BAFFLE PLATE	1	PC.
054		266418-7	TAPPING SCREW 5X55	2	PC.
055		520066-9	FIELD ASSEMBLY 115V	1	PC.
055	INC.	654502-4	CONNECTOR P-2	2	PC.
055	INC.	654020-2	RING TERMINAL	2	PC.
056		163463-2	DEPTH GUIDE	1	PC.
057		941201-0	FLAT WASHER 8	1	PC.
058		264006-4	HEX. NUT M8-13	1	PC.
059		346003-3	LEVER PLATE	1	PC.
060		257953-6	BOW STOP RING E-12	1	PC.
061		265965-5	CAP SQUARE NECK BOLT M8X24	1	PC.
062		931402-8	HEX. NUT M8	1	PC.
063		942201-3	SPRING WASHER 8	1	PC.
064		253731-2	FLAT WASHER 8	1	PC.
065		941201-0	FLAT WASHER 8	1	PC.
066		264006-4	HEX. NUT M8-13	1	PC.
067		346003-3	LEVER PLATE	1	PC.
068		257953-6	BOW STOP RING E-12	1	PC.
069		213118-0	O RING 12	1	PC.
070		345677-7	STOPPER PLATE	1	PC.
071		265163-1	+ FLAT HEAD SCREW M8	1	PC.
072		266213-5	H.S.SET SCREW(FLAT POINT)M5X12	1	PC.

Item No	Type	Part No	Description	Qty	Unit
073		266213-5	H.S.SET SCREW(FLAT POINT)M5X12	1	PC.
074		931302-2	HEX. NUT M6	1	PC.
075	2	253428-3	SPRING WASHER 6	1	PC.
076		941151-9	FLAT WASHER 6	1	PC.
077		168493-8	BASE	1	PC.
078		265041-5	+ FLAT HEAD SCREW M6	1	PC.
080		253022-1	FLAT WASHER 8	1	PC.
081		158805-3	MOTOR HOUSING COMPLETE	1	PC.
081	INC.	643653-8	BRUSH HOLDER 6.5-13.5	2	PC.
082		865939-2	5477NB NAME PLATE	1	PC.
083		643650-4	BRUSH HOLDER CAP 6.5-13.5	2	PC.
084	2	194986-9	CARBON BRUSH CB-154 2PC/SET W/ ORIGIN	1	SET
084	3	181047-4	CARBON BRUSH CB-154 2PC/SET W/ ORIGIN	1	SET
089		188185-3	HANDLE SET	1	SET
090		266459-3	TAPPING SCREW 5X25	4	PC.
091		266326-2	TAPPING SCREW 4X18	2	PC.
092		651189-3	SWITCH TG933TN-2	1	PC.
094		266427-6	TAPPING SCREW 4X12	2	PC.
095		687673-2	STRAIN RELIEF	1	PC.
096		682564-2	CORD GUARD	1	PC.
097	2	664478-7	CORD W/PLUG 2P-14-3.0M	1	PC.
098		961056-7	RETAINING RING S-16	1	PC.
099		232247-0	CONED DISC SPRING 16	2	PC.
100		652047-6	(+)BIND SCREW M3.5X4.0(FOR SWITCH)	4	PC.
101		654001-6	TERMINAL R1.25-3.5(FOR SWITCH-FIELD)	2	PC.
102		654004-0	TERMINAL 2-S3(FOR CORD-SWITCH)	2	PC.
200		125346-4	HOOK ASSY	1	PC.
200	INC.	257757-6	SLEEVE 10	1	PC.
200	INC.	313135-1	JOINT	1	PC.
200	INC.	233442-5	COMPRESSION SPRING 10	1	PC.
200	INC.	951063-8	SPRING PIN 3-16	1	PC.
A01		D-35352-10	7-1/4" C.T. SAW BLADE 24T 10/PK	1	PC.
A01		A-94839-10	7-1/4" FRAMING BLADE 24T	1	PC.
A01	2	D-51138	7-1/4" CT BLADE 24T 5/8" WOOD	1	PC.
A02		783204-6	HEX. WRENCH 6	1	PC.
A03		165153-3	RIP FENCE	1	PC.