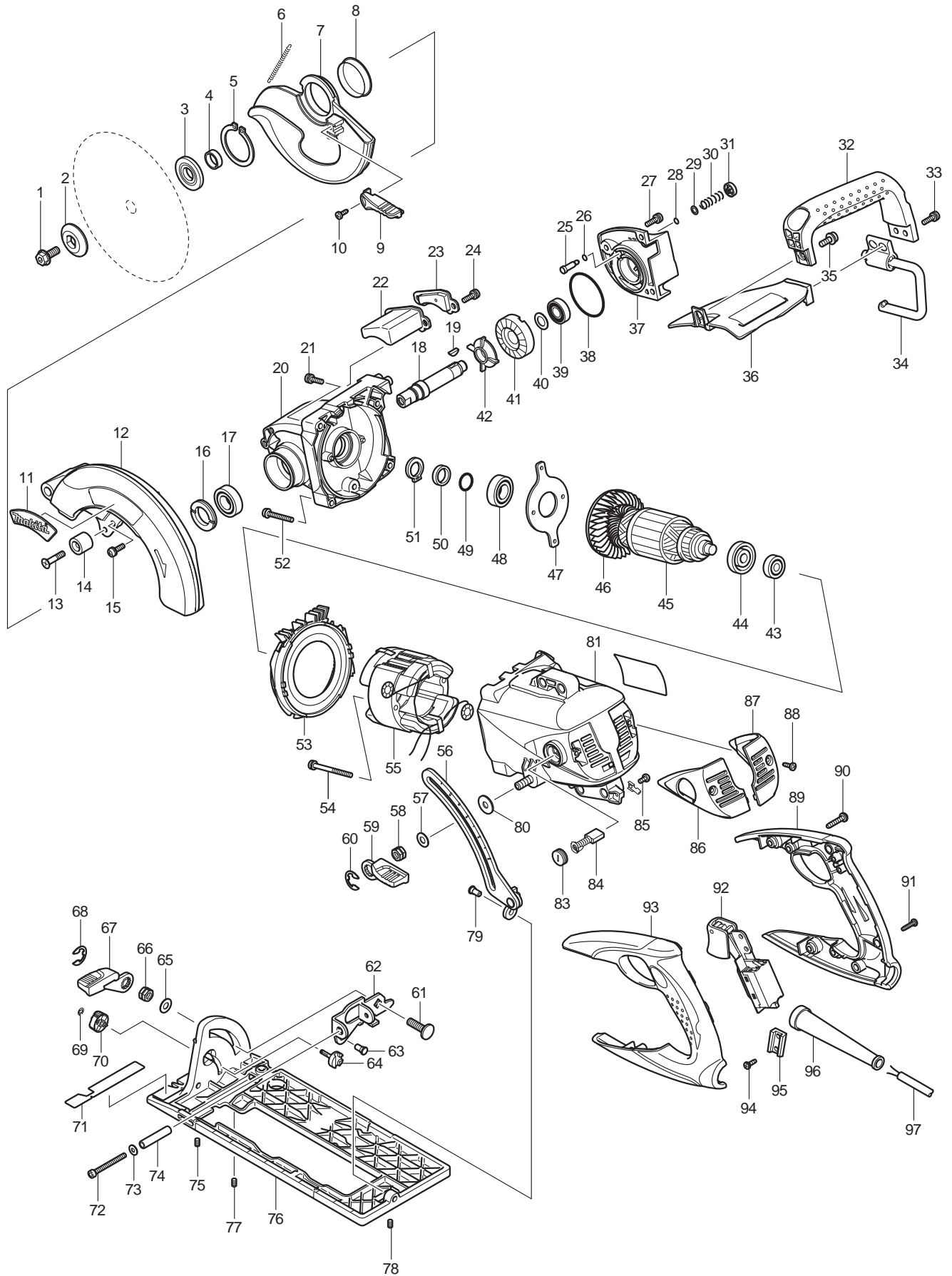




08 - 2010
5377MG
7-1/4" HYPOID SAW



Item No	Type	Sub	Part No	Description	Qty	Unit
001			266400-6	HEX. SOCKET HEX. BOLT M8X20	1	PC.
002			224275-9	OUTER FLANGE 40	1	PC.
003			224268-6	INNER FLANGE 40	1	PC.
004			257279-6	RING 17	1	PC.
005			961201-4	RETAINING RING S-42	1	PC.
006	2		231889-7	* TENSION SPRING 5	1	PC.
007	2		319365-2	SAFETY COVER	1	PC.
008	1		345422-0	SPACER	1	PC.
008	2		346880-3	SPACER	1	PC.
009			272255-9	LEVER 50	1	PC.
010			266026-4	TAPPING SCREW BIND CT 4X12	1	PC.
011			819236-8	MAKITA LOGO PLATE	1	PC.
012			188203-7	BLADE CASE SET	1	PC.
		INC.		Item No. 11	1	PC.
013			251350-8	+ COUNTERSUNK HEAD SCREW M6X28	1	PC.
014			262553-9	RUBBER SLEEVE 6	1	PC.
015	2		266036-1	* PAN HEAD SCREW M5X18	3	PC.
016			285809-3	BEARING RETAINER 23-36	1	PC.
017			211251-2	BALL BEARING 6003LLB	1	PC.
018	2		324958-2	* SPINDLE	1	PC.
019			254001-2	WOODRUFF KEY 4	1	PC.
020	2		140706-9	* GEAR HOUSING COMPLETE	1	PC.
		INC.	213389-9	* OIL SEAL 22	1	PC.
		INC.	213306-9	* OIL SEAL 20	1	PC.
021			911228-4	PAN HEAD SCREW M5X18	2	PC.
022			421970-4	DECOMPRESSION CHAMBER	1	PC.
023			318079-0	PLATE	1	PC.
024			911228-4	PAN HEAD SCREW M5X18	2	PC.
025			256501-8	SHOULDER PIN 6	1	PC.
026			213005-3	O RING 5	1	PC.
027			911228-4	PAN HEAD SCREW M5X18	3	PC.
028			213005-3	O RING 5	1	PC.
029			253145-5	FLAT WASHER 6	1	PC.
030			233011-2	COMPRESSION SPRING 8	1	PC.
031			419589-1	CAP	1	PC.
032			419578-6	GRIP	1	PC.
033			911228-4	PAN HEAD SCREW M5X18	2	PC.
034			125346-4	HOOK ASS'Y	1	PC.
		INC.	233442-5	COMPRESSION SPRING 10	1	PC.
		INC.	257757-6	SLEEVE 10	1	PC.
		INC.	313135-1	JOINT	1	PC.
		INC.	951063-8	SPRING PIN 3-16	1	PC.
035			911323-0	PAN HEAD SCREW M6X16	1	PC.
036			158143-3	COVER COMPLETE	1	PC.
		INC.	810291-3	CAUTION LABEL	1	PC.
037	2		319471-3	* BEARING BOX	1	PC.
038			213676-6	O RING 53	1	PC.
039			211104-5	BALL BEARING 6001	1	PC.
040			253744-3	FLAT WASHER 12	1	PC.
041			227504-9	HYPOID GEAR 36	1	PC.
042			240005-0	FAN 45	1	PC.
043			211061-7	BALL BEARING 6000LLB	1	PC.
044			681640-9	INSULATION WASHER	1	PC.

Item No	Type	Sub	Part No	Description	Qty	Unit
045			516981-3	ARMATURE ASS'Y 115V	1	PC.
		INC.		Item No. 43,44,46-51	1	PC.
046			241905-7	FAN 80	1	PC.
047			285727-5	BEARING RETAINER	1	PC.
048			211251-2	BALL BEARING 6003LLB	1	PC.
049			213226-7	O RING 16	1	PC.
050			257198-6	RING 17	1	PC.
051			961077-9	RETAINING RING S-17	1	PC.
052			911258-5	PAN HEAD SCREW M5X35	4	PC.
053			419573-6	BAFFLE PLATE	1	PC.
054			911676-7	PAN HEAD SCREW M5X55	2	PC.
055			526171-0	FIELD ASS'Y 115V	1	PC.
		INC.	654020-2	RING TERMINAL	2	PC.
		INC.	654502-4	CONNECTOR P-2	2	PC.
		INC.	689055-4	RING TERMINAL RETAINER 15.5 (Added)	2	PC.
		INC.	684790-9	VINYL TUBE (Added)	2	PC.
056			163470-5	DEPTH GUIDE	1	PC.
057			941201-0	FLAT WASHER 8	1	PC.
058			264006-4	HEX. NUT M8-13	1	PC.
059			272254-1	LEVER 59	1	PC.
060			257953-6	BOW STOP RING E-12	1	PC.
061			266227-4	CAP SQUARE NECK BOLT M8X28	1	PC.
062			345725-2	ANGULAR GUIDE	1	PC.
063	2		256511-5	SHOULDER PIN 6-7	1	PC.
064			324699-0	STOPPER PIN	1	PC.
065			941201-0	FLAT WASHER 8	1	PC.
066			264006-4	HEX. NUT M8-13	1	PC.
067			272254-1	LEVER 59	1	PC.
068			257953-6	BOW STOP RING E-12	1	PC.
069			961017-7	STOP RING E-3	1	PC.
070			419571-0	DIAL 22	1	PC.
071			816864-0	SCALE PLATE	1	PC.
072			922903-7	HEX. SOCKET HEAD BOLT M5X50	1	PC.
073			941101-4	FLAT WASHER 5	1	PC.
074			257761-5	SLEEVE 6	1	PC.
075			266229-0	H.S.SET SCREW(CUP POINT)M5X8	1	PC.
076			318071-6	BASE	1	PC.
077			266229-0	H.S.SET SCREW(CUP POINT)M5X8	1	PC.
078			266229-0	H.S.SET SCREW(CUP POINT)M5X8	1	PC.
079	2		256511-5	SHOULDER PIN 6-7	1	PC.
080			253022-1	FLAT WASHER 8	1	PC.
081			158141-7	MOTOR HOUSING COMPLETE	1	PC.
		INC.	643653-8	BRUSH HOLDER 6.5-13.5	2	PC.
		INC.	263002-9	RUBBER PIN 4	1	PC.
		INC.	266401-4	H.S.SET SCREW(FLAT POINT)M8X30	1	PC.
082			862845-2	NAME PLATE F/5377MG	1	PC.
083			643650-4	BRUSH HOLDER CAP 6.5-13.5	2	PC.
084	2		194986-9	CARBON BRUSH CB-154 2PC/SET W/ ORIGIN	1	SET
085			652014-1	PAN HEAD SCREW M4X8	1	PC.
086			188184-5	REAR COVER SET	1	PC.
		INC.		Item No. 87	1	PC.
087			188184-5	REAR COVER SET	1	PC.
		INC.		Item No. 86	1	PC.

Item No	Type	Sub	Part No	Description	Qty	Unit
088			266026-4	TAPPING SCREW BIND CT 4X12	2	PC.
089			188185-3	HANDLE SET	1	SET
		INC.		Item No. 93	1	PC.
090			266041-8	TAPPING SCREW 5X25	4	PC.
091			265995-6	TAPPING SCREW 4X18	2	PC.
092			651189-3	SWITCH TG933TN-2	1	PC.
093			188185-3	HANDLE SET	1	SET
		INC.		Item No. 89	1	PC.
094	2		266427-6	TAPPING SCREW 4X12	2	PC.
095			687673-2	STRAIN RELIEF	1	PC.
096			682564-2	CORD GUARD	1	PC.
097			551688-4	POWER SUPPLY CORD ASSEMBLY	1	PC.
		INC.		Item No. 96	1	PC.
097	Opt		664820-2	POWER SUPPLY CORD 3P-14-2.5M, SJ	1	PC.
098			961056-7	* RETAINING RING S-16 (Added)	1	PC.
099			232247-0	* CONED DISC SPRING 16 (Added)	2	PC.
ACCESSORIES			- See Catalogue or visit www.makita.ca for more optional accessories -			
A01	2		A-94530-10	7-1/4" FRAMING BLADE, 24T 5/8" 10PC/PK	1	PK.
A02			783204-6	HEX. WRENCH 6	1	PC.
A03	2		821007X	TOOL BAG	1	PC.

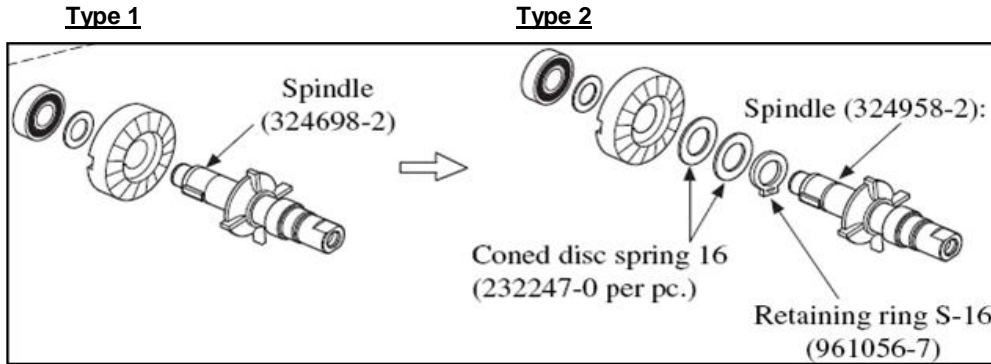
SERVICE CHANGES

1. Changes on Spindle

(T/I# 83065)

Item No.	Description	Type 1	Type 2
18	Spindle	324698-2	324958-2
98	Coned Disc Spring	-----	232247-0
99	Retaining Ring	-----	961056-7

Above parts are completely interchangeable as a set.

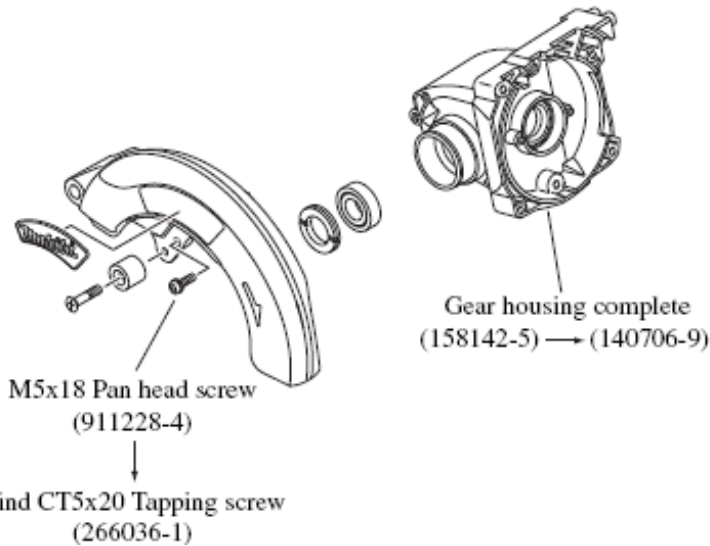


2. Changes of Gear Housing Complete, etc.

(T/I# 88586)

Item No.	Description	Type1	Type2
15	Screw	911228-4 (P.H.Screw M5x18)	266036-1 (Tapping Screw Bind CT 5x20)
20	Gear Housing Com.	158142-5	140706-9

Above parts are completely interchangeable as a set.



4. Apply Makita grease N No.01 to the Depth guide

(TI#C0417)

Item No.	Description	Part No.
56	Depth Guide	163470-5

Service Note:

Apply Makita grease N No.1 (042017-7A) to the sliding portions of Depth guide.

0.1g: to slide the large flat washer on Depth guide

0.1g: to slide the small flat washer on Depth guide