

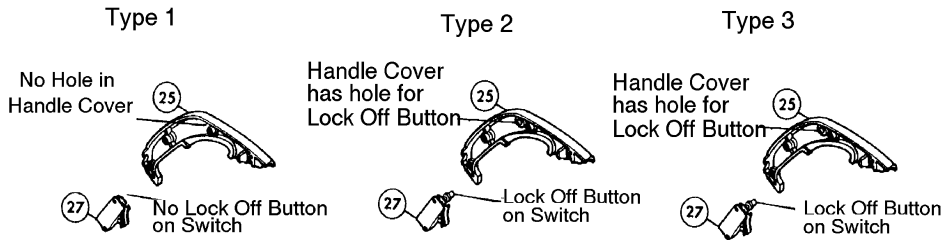
| Item No. | Part No.        | No. Used | Description   | Item No.           | Part No.        | No. Used | Description  |
|----------|-----------------|----------|---|--------------------|-----------------|----------|--|
| 1        | 911211-1        | 2        | P.H. Screw M5X12 (Old)                                | 41                 | 911246-2        | 4        | P. H. Screw M5x28  |
| 2        | 285006-1        | 1        | Bearing Cover 42 (Old)                                | 42                 | 251256-0        | 1        | (+) Countersunk Head Screw M8x20   |
| 3        | 953101-2        | 4        | Rivet 0-3   | 43                 | 943202-4        | 1        | Toothed Lock Washer 8  |
| 4        | 654020-2        | 2        | Garter Spring   | 44                 | 262007-6        | 1        | Rubber Ring 8  |
| 5        | 643650-4        | 2        | Brush Holder Cap 6.5-13.5                             | 45                 | 912116-8        | 4        | Countersunk Head Screw M4x12   |
| 6        | 181047-4        | 2        | Carbon Brush CB-154                                   | 46                 | 312530-2        | 1        | Bearing Box  |
|          | <b>181048-2</b> | 2        | Auto Cut-Off Carbon Brush CB-155 (Optional)           | 47                 | 321147-0        | 1        | Spindle 5/8"   |
| 7        | <b>151536-3</b> | 1        | Motor Housing (With Items 19, 72 & 73) (Old 156601-3) | 48                 | 254203-0        | 1        | Key 4  |
| 8        | 681002-1        | 2        | Insulation Washer                                     | 49                 | 211306-3        | 1        | Ball Bearing 6204LLB   |
| 9        | *               | 1        | Field Assy (With Items 4 & 32)                        | 50                 | 962203-3        | 1        | Retaining Ring R-47  |
| 10       | 911290-9        | 2        | P.H. Screw M5x65 (With Bond) (Old 911286-0)           | 51                 | 221188-5        | 1        | Helical Gear 54  |
| 11       | 211066-7        | 1        | Ball Bearing 6200LLB                                  | 52                 | 961060-6        | 1        | Retaining Ring S-20  |
| 12       | 213051-6        | 1        | Dust Seal 10  | 53                 | 212101-4        | 1        | Needle Bearing 1210  |
| 13       | 610006-6        | 1        | Armature Assy (Includes Items 11, 12, 14-16)          | 54                 | 911251-9        | 4        | P. H. Screw M5x30  |
| 14       | 241064-7        | 1        | Fan 106   | 55                 | 315159-3        | 1        | Gear Housing (Includes Item 18)  |
| 15       | 213202-1        | 1        | Dust Seal 15  | 56                 | 911207-2        | 1        | P.H. Screw M5x10   |
| 16       | 211206-7        | 1        | Ball Bearing 6202LLB                                  | 57                 | 272202-0        | 1        | Lever Assy 98 (With item 56)   |
| 17       | 343119-5        | 1        | Baffle Plate  | 58                 | 251612-4        | 1        | Hex Bolt M8x20   |
| 18       | 263005-3        | 1        | Rubber Pin 6  | 59                 | 941201-0        | 1        | Flat Washer 8  |
| 19       | 263002-9        | 1        | Rubber Pin 4  | 60                 | 168070-6        | 1        | Base Assy (Includes Items 61, 65-67)   |
| 20       | 664322-8        | 1        | Cord With Plug 3P-16-2.5                              | 61                 | 924316-8        | 1        | Wing Bolt M6x15  |
| 21       | 682505-8        | 1        | Cord Guard 10-90                                      | 62                 | *               | 1        | Flat Washer 8 (Old)  |
| 22       | *               | 1        | Strain Relief   | 63                 | *               | 1        | Spring Washer 8 (Old)  |
| 23       | *               | 2        | P. H. Screw   | 64                 | *               | 1        | Hex Nut M8/Hex Lock Nut M8-13  |
| 24       | 911151-3        | 4        | P. H. Screw M4x28                                     | 65                 | 924316-8        | 1        | Wing Bolt M6x15  |
| 25       | *               | 1        | Handle Cover  | 66                 | 942151-2        | 1        | Spring Washer 6  |
| 26       | 911106-8        | 2        | P. H. Screw M4x8                                      | 67                 | 941151-9        | 1        | Flat Washer 6  |
| 27       | *               | 1        | Switch  | 68                 | 251407-5        | 1        | (-) Flat Head Screw M8   |
| 29       | 911106-8        | 2        | P.H. Screw M4x8                                       | 69                 | *               | *        | Screw  |
| 30       | 341541-0        | 1        | Lead Cover  | 70                 | *               | 1        | Spring Washer 4  |
| 31       | *               | 1        | Blade Case  | 71                 | 257022-3        | 1        | Ring Adapter 16 (This has to be installed on Saw Arbor when Makita Blade with 25mm Arbor hole is used) |
| 32       | 654502-4        | 2        | Solderless Connector P-2                              | 72                 | 643653-8        | 2        | Brush Holder   |
| 33       | *               | 1        | Tension Spring 5                                      | 73                 | 913206-0        | 2        | Set Screw M5x8   |
| 34       | 315160-8        | 1        | Safety Cover  | 74                 | <b>410047-0</b> | 1        | Wrench Holder 5/6  |
| 35       | <b>344966-7</b> | 1        | Lever (Old 342462-9)                                  | 100                | 652014-1        | *        | (+) P.H. Screw M4x8 (With Washer)  |
| 36       | 961252-7        | 1        | Retaining Ring S-55                                   | 101                | 654002-4        | *        | Solderless Eye Terminal 1.25-M4  |
| 37       | 224160-6        | 1        | 5/8" Outer Flange 65                                  | 102                | 652012-5        | 1        | (+) P. H. Screw M4x8   |
| 38       | 251644-1        | 1        | Hex Flange Head Bolt M8x20(Type 1)                    | 103                | 943053-5        | 1        | Toothed Lock Washer 4  |
|          | <b>265408-7</b> | 1        | Hex Socket Head Bolt M8X20 (Type 2)                   | 104                | 654510-5        | 1        | Closed End Connector 5.5-SD  |
| 39       | 224159-1        | 1        | 5/8" Inner Flange 65                                  | <b>Accessories</b> |                 |          |  |
| 40       | 911211-1        | 1        | P. H. Screw M5x12 (With Washer)                       | A01                | 273404-1        | 1        | Side Handle 37 (Type 1)  |
|          |                 |          |   |                    | 152492-0        | 1        | Side Handle 36 (Type 3)  |
|          |                 |          |   | A02                | - - - -         | 1        | Saw Blade (See Catalogue for Details)  |

| Item No. | Part No. | No. Used | Description            |
|----------|----------|----------|------------------------|
| A03      | 164019-4 | 1        | Rip Fence (Guide Rule) |
| A04      | 781011-1 | 1        | Wrench 22 (For Flange) |

| Item No. | Part No.        | No. Used | Description                                  |
|----------|-----------------|----------|--|
| A05      | 781203-2        | 1        | Wrench 13 (For Spindle) (Type 1)             |
|          | <b>783204-6</b> | 1        | Hex Wrench ( For Spindle) (Type 2)           |
| A06      | 792180-3        | 1        | Abrasive Cut Off Wheel<br>(Use With Item 71) |

## SERVICE CHANGES

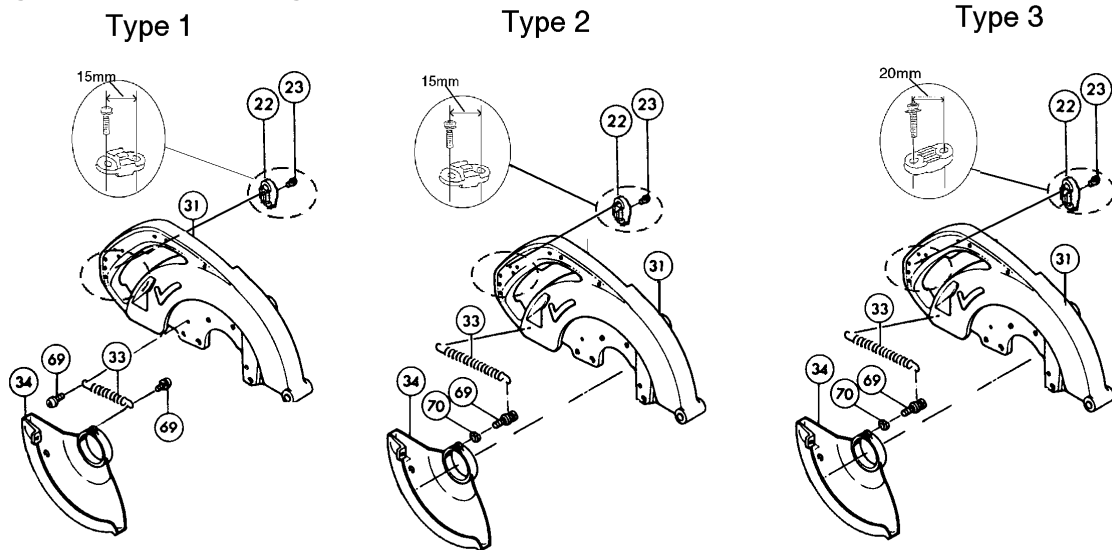
### 1. Change on Handle Cover & Switch



| Item No. | Description  | Type 1                             | Type 2                               | Type 3   |
|----------|--------------|------------------------------------|--------------------------------------|----------|
| 25       | Handle Cover | 315187-8 (No Lock Off Button Hole) | 315162-4 (With Lock Off Button Hole) |          |
| 27       | Switch       | 651120-9                           | 651137-2 (No Longer Available)       | 651154-2 |
|          |              | (No Lock Off Button)               | (With Lock Off Button)               |          |

Above parts are completely interchangeable as a set.

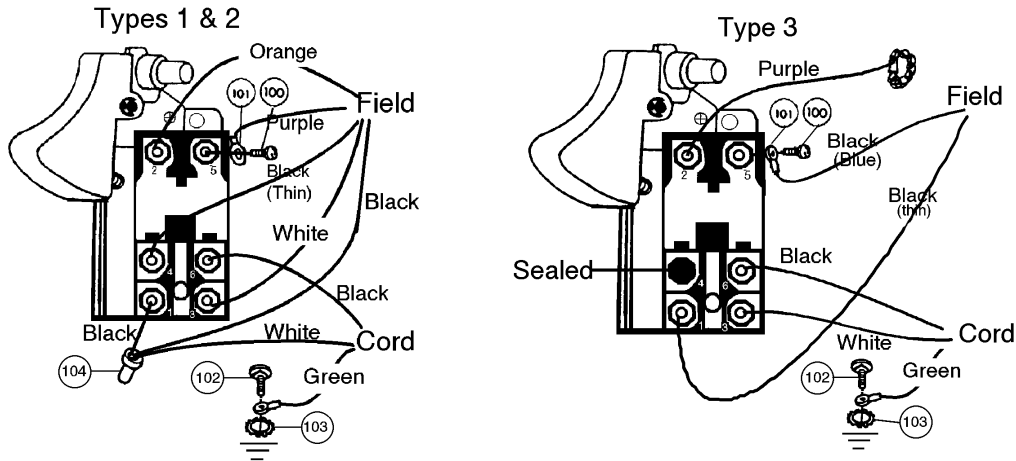
### 2. Change on Blade Case, Spring & Screw



| Item No. | Description      | Type 1                                 | Type 2                                    | Type 3                  |
|----------|------------------|--|---|-------------------------|
| 22       | Strain Relief    | 687001-1                               |   | <b>687052-4</b>         |
| 23       | P.H. Screw       | 911123-8 (or 911121-2) M4 x 14         |   | <b>911133-5</b> M4 x 18 |
| 31       | Blade Case       | 315161-6 (No Longer Available)         | 154319-0 (Includes Hook Pin)              | <b>316744-5</b>         |
| 33       | Tension Spring 5 | 231750-8 (No Longer Available)         | <b>231767-1</b>                           |                         |
| 69       | Screw            | 911101-8 (2 purchase)(P.H. Screw M4x6) | <b>251445-7</b> (1 pc) [(-) Flat Head M4] |                         |
| 70       | Spring Washer 4  | ----                                   | <b>942051-6</b> (Added)                   |                         |

Above parts are completely interchangeable as a set, however Type 2 Blade Case can be used with Type 1 parts.  
When replacing above parts grease between Safety Cover (Item 34) & Bearing Cover (Item 46) using Makita Grease No. 2

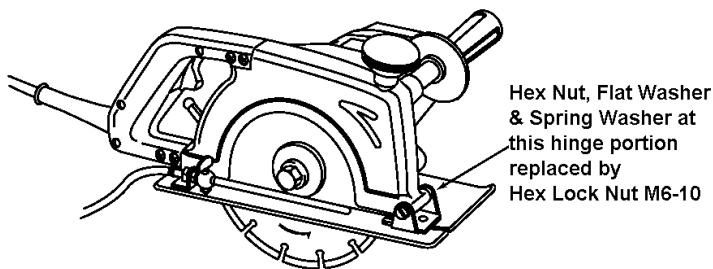
**3. Change on Field and Switch, etc.**



| Item No. | Description                 | Type 1                           | Type 2                            | Type 3   |
|----------|-----------------------------|----------------------------------|-----------------------------------|----------|
| 9        | Field Assy                  | 624561-2 (No Longer Available)   |                                   | 526001-5 |
| 27       | Switch                      | 651120-9<br>(No Lock Off Button) | 651137-2<br>(No Longer Available) | 651154-2 |
|          |                             |                                  | (With Lock Off Button)            |          |
| 100      | P.H. Screw M4x8             | 652014-1                         |                                   |          |
|          |                             | 6 pcs                            |                                   | 5 pcs    |
| 101      | Solderless Eye Terminal     | 654002-4                         |                                   |          |
|          |                             | 7 pcs                            |                                   | 6 pcs    |
| 104      | Closed End Connector 5.5-SD | 654510-5                         |                                   | -----    |
|          | Serial No.                  | ~ 15789E                         |                                   | 15790E ~ |

Above parts are completely interchangeable as a set.  
 Type 1 & 2 Switch can be used with Type 3 Field, if Terminal No. 4 is sealed and Wiring is changed to Type 3 Wiring Diagram.

**4. Change of Hexagonal Nut, Flat Washer and Spring Washer.**



| Item No. | Description                   | Type 1   | Type 2          |
|----------|-------------------------------|----------|-----------------|
| 62       | Flat Washer 8                 | 941201-0 | -----           |
| 63       | Spring Washer 8               | 942201-3 | -----           |
| 64       | Hex Nut M8/Hex Lock Nut M8-13 | 931401-0 | <b>252105-4</b> |
|          | Serial No.                    | ~ 19720E | 19721E ~        |

Above parts are completely interchangeable as a set.