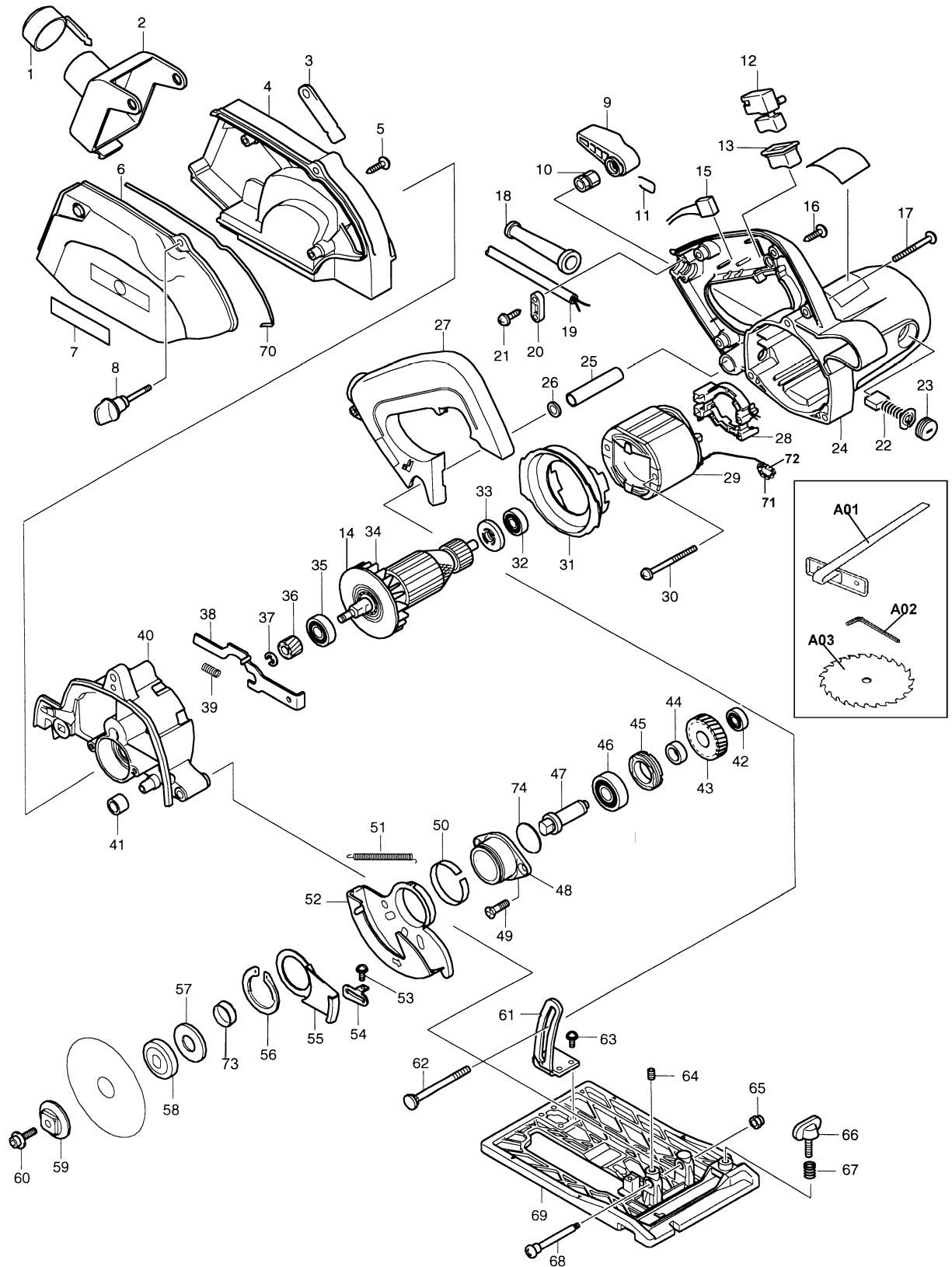
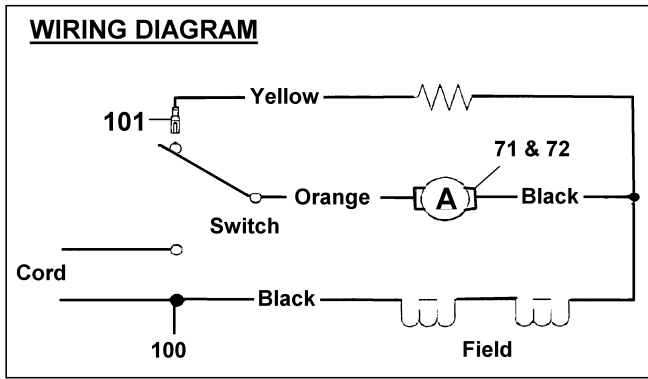


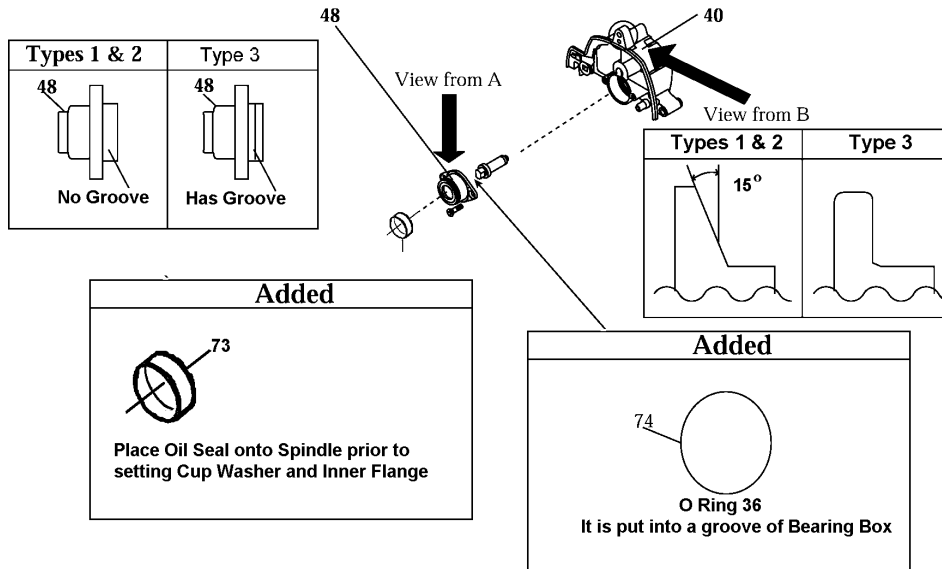
4" CIRCULAR SAW with DUST COLLECTION Model 5044KB(MJ)





Item No.	Part No.	No. Used	Description	Item No.	Part No.	No. Used	Description
1	421362-7	1	Cap	40	*	1	Gear Housing Com. (Includes 263002-9 - Rubber Pin 4)
2	151540-2	1	Dust Cap Com. (Includes 421667-5 - Packing)	41	262523-8	1	Rubber Sleeve 6
3	344698-6	1	Earth Plate	42	211023-5	1	Ball Bearing 607LB
4	416740-4	1	Dust Box L (Transparent --> Translucent Purple)	43	226505-4	1	Helical Gear 47
5	265995-6	2	Tapping Screw 4X18	44	257012-6	1	Ring 12
6	416739-9	1	Dust Box R (Transparent --> Translucent Purple)	45	285819-0	1	Bearing Retainer 22-23
7	819003-1	1	Makita Label	46	211129-9	1	Ball Bearing 6201DDW
8	922362-5	1	Hex. Socket Head Bolt M6X40	47	323827-4	1	Spindle
9	272230-5	1	Lever 54	48	*	1	Bearing Box Com.
10	252160-6	1	Hex. Nut M6	49	265034-2	2	Countersunk Head Screw M15X
11	231955-0	1	Ring Spring 12	50	344725-9	1	Thickness Ring
12	651290-4	1	Switch	51	231744-3	1	Tension Spring 4
13	421645-5	1	Dust Cover	52	344692-8	1	Safety Cover
14	240020-4	1	Fan 65	53	911118-1	1	P. H. Screw M4X12
16	265995-6	4	Tapping Screw 4X18	54	344699-4	2	Cover Guide
17	911268-2	3	P. H. Screw M5x45	55	344697-8	1	Dust Cover
18	682503-2	1	Cord Guard 8-90	56	*	2	Retaining Ring S-32
19	660023-6	1	Cord With Plug 2P-18-5.0M	57	*	1	Cup Washer 12
20	687063-9	1	Strain Relief	58	224115-1	1	Inner Flange 34
21	265995-6	2	Tapping Screw 4X18	59	224116-9	1	Outer Flange 34
22	191963-2	1	Carbon Brush CB-303	60	266024-8	1	Hex. Socket Head Bolt M6X20
23	643750-0	2	Brush Holder Cap	61	344696-0	1	Depth Guide
24	151539-7	1	Motor Housing Com. (Includes 421459-21 - Dust Cover 2x643708-9 - Brush Holder 5-11)	62	266195-1	1	Cap Square Bolt M6X90
25	331544-2	1	Pipe 9	63	911118-1	4	P. H. Screw M4X12
26	253804-1	1	Flat Washer 6	64	266208-8	1	Hex. Socket Head Bolt M6X8
27	416743-8	1	Handle Cover	65	252103-8	1	Hex. Lock Nut M5-8
28	632278-3	1	Support Com.	66	265708-5	1	Screw M6X20
29	634141-6	1	Field	67	231316-4	1	Compression Spring 7
30	266095-5	2	Tapping Screw 5X55	68	265068-5	1	P. H. Screw M5X
31	416744-6	1	Baffle Plate	69	317108-6	1	Base
32	210005-4	1	Ball Bearing 608DDW	70	421672-2	1	Packing
33	681644-1	1	Insulated Washer	71	654020-2	2	Garter Spring
34	516346-9	1	Armature Assy (Includes Items 14, 32, 33, & 35)	72	654501-6	2	Terminal P-1.25
35	210059-1	1	Ball Bearing 6000DDW (Old 211088-7)	73	213276-2	1	Oil Seal 18 (Add) *
36	226504-6	1	Helical Gear 17	74	213525-7	1	O Ring 36 (Add) *
37	961011-9	1	Stop Ring E-4	100	654532-5	1	Terminal Block
38	344693-6	1	Shaft Lock	101	654079-9	3	Insulated Receptacle DF1.25
39	233092-6	1	Compression Spring 5	Accessories			
				A01	165240-8	2	Guide Rule
				A02	783203-8	1	Hex. Wrench 5
				A03	A-90439	1	4" C.T. Saw Blade 16 teeth For Fibre-Cement Board

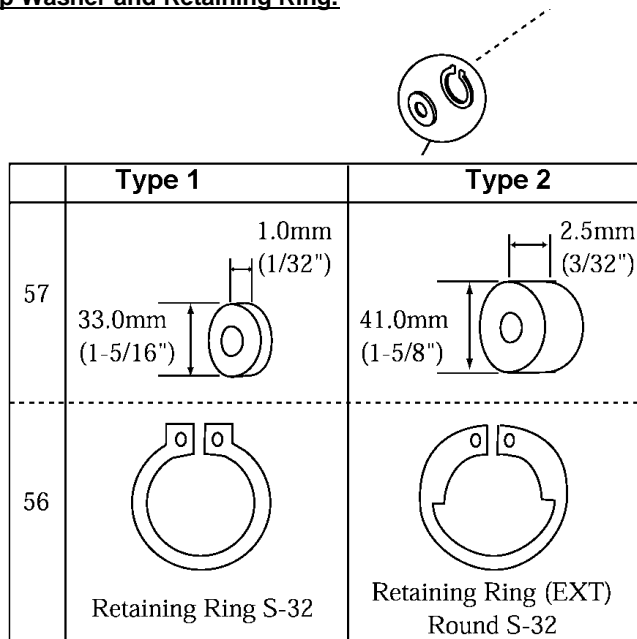
1. Change on Bearing Box.



Item No.	Description	Type 1	Type 2	Type 3
40	Gear Housing Com.	151538-9	153331-7	
48	Bearing Box	151537-1 Com. (Includes Oil Seal 18 - 213257-6)	317109-4	317575-5
73	Oil Seal 18	-----	213276-2	
74	O Ring 36	-----	-----	213525-7

Above parts are completely interchangeable as a set.

2. Change on Cup Washer and Retaining Ring.



Item No.	Description	Type 1	Type 2
56	Retaining Ring -32	961151-3	961171-7
57	Cup Washer 12	267722-7	267773-0

Above parts are completely interchangeable as a set.