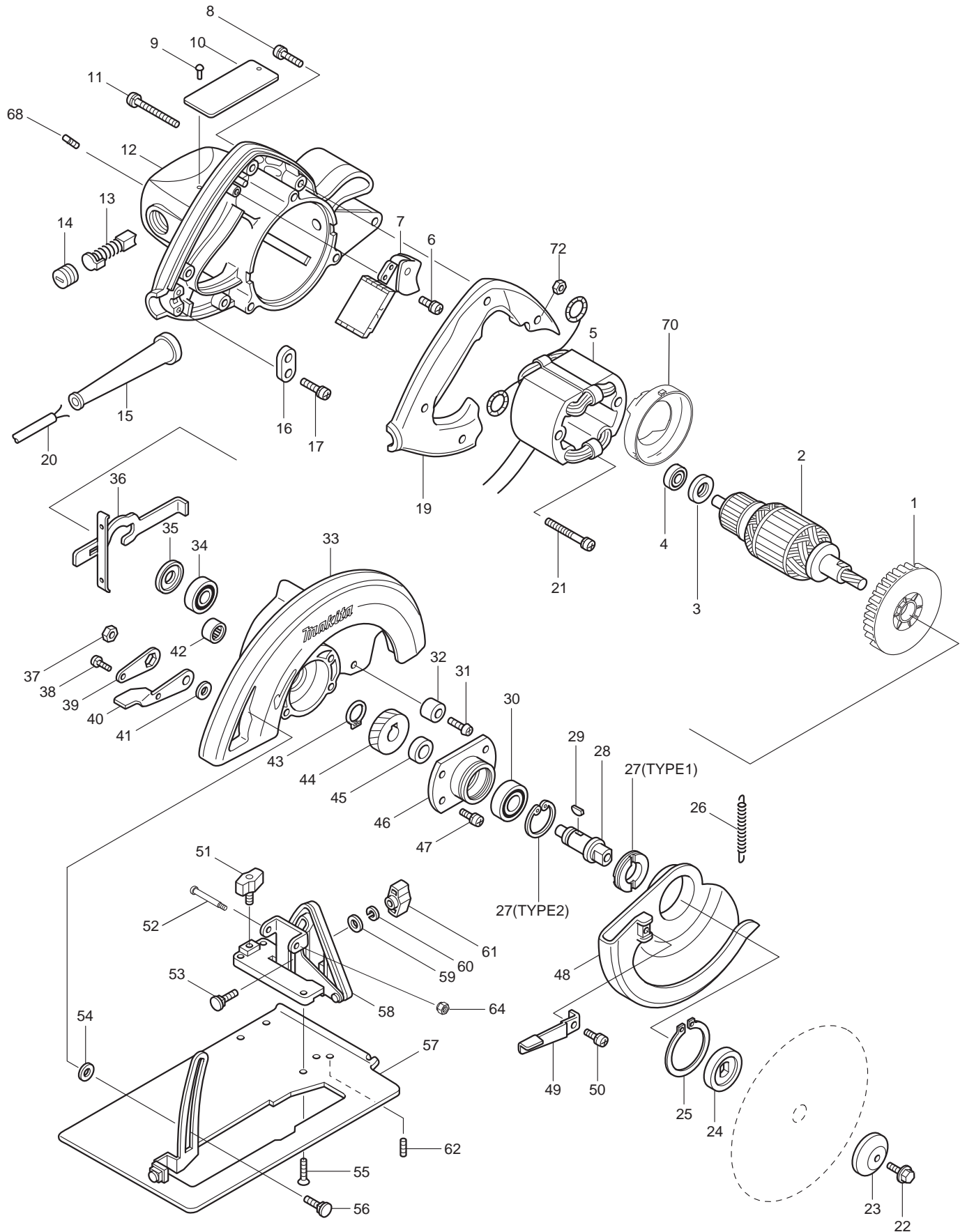




12 - 2010
5007NB / 5007NBK
7 1/4" CIRCULAR SAW



Item No.	Ref.	Part No.	Description	Qty	Unit
1		241513-4	FAN 92	1	PC.
2		614586-4	ARMATURE ASS'Y 115V, 14mm Shaft - N/L/A	1	PC.
		614586-4	ARMATURE ASS'Y 115V, 16mm Shaft - N/L/A	1	PC.
		616606-0	ARMATURE ASS'Y	1	PC.
		514856-0	ARMATURE ASS'Y	1	PC.
	*	510057-8	ARMATURE ASS'Y (TYPE5)	1	PC.
3		681613-2	INSULATION WASHER (FOR TYPE1 ARMATURE)	1	PC.
	*	681625-5	INSULATION WASHER (TYPE5)	1	PC.
4		211033-2	BALL BEARING 608LB	1	PC.
5		624536-1	FIELD ASS'Y	1	PC.
5	*	636066-0	FIELD ASS'Y (TYPE5)	1	PC.
	INC.	654020-2	RING TERMINAL	2	PC.
	INC.	654502-4	CONNECTOR P-2	2	PC.
6	*	266020-6	TAPPING SCREW 4X12 (TYPE4-5)	1	PC.
7		651121-7	SWITCH 8638K2, AC/DC (TYPE1) - N/L/A *USE WITH 4/SCREW #5-40 (#652021-4, ItemNo.100)	1	PC.
		651168-1	SWITCH TG923TN-1, AC/DC (TYPE2) *USE WITH 4/P/H.SCREW M3.5x7 (#652008-6, ItemNo.100)	1	PC.
		651172-0	SWITCH TG933TN-1, AC/DC (TYPE3) *USE WITH 4/P/H.SCREW M3.5x7 (#652008-6, ItemNo.100)	1	PC.
8	*	911148-2	PAN HEAD SCREW M4X25 (TYPE1-3)	4	PC.
	*	265995-6	TAPPING SCREW 4X18 (TYPE4-5)	4	PC.
9		953106-2	RIVET 0-5 (OLD)	2	PC.
10	*	931102-0	HEX NUT M4 (TYPE1-3)	1	PC.
11		911273-9	PAN HEAD SCREW M5X50	3	PC.
12	*	156465-5B	MOTOR HOUSING COM. (TYPE1-3) - N/L/A	1	PC.
	INC.	643660-1	BRUSH HOLDER 6.5-13.5	2	PC.
	INC.	263002-9	RUBBER PIN 4	1	PC.
	*	152928-9	MOTOR HOUSING COM. (TYPE4)	1	PC.
	INC.	643660-1	BRUSH HOLDER 6.5-13.5	2	PC.
	*	154746-1	MOTOR HOUSING COM.(TYPE5)	1	PC.
	INC.	643660-1	BRUSH HOLDER 6.5-13.5 (TYPE1)	2	PC.
	INC.	643653-8	BRUSH HOLDER 6.5-13.5 (TYPE2)	2	PC.
13		181047-4	CARBON BRUSH CB-154(2PCS/SET)	1	SET
		181048-2	A.C. CARBON BRUSH CB-155(2PCS/SET) - OPTIONAL	1	SET
14		643650-4	BRUSH HOLDER CAP 6.5-13.5	2	PC.
15		682505-8	CORD GUARD 10-90	1	PC.
16	*	687001-1	STRAIN RELIEF (TYPE1-3)	1	PC.
	*	687063-9	STRAIN RELIEF (TYPE4)	1	PC.
	*	687052-4	STRAIN RELIEF (TYPE5)	1	PC.
17	*	265995-6	TAPPING SCREW 4X18 (TYPE4-5)	2	PC.
19	*	416889-0	HANDLE COVER (TYPE4-5)	1	PC.

Item No.	Ref.	Part No.	Description	Qty	Unit
20	*	664463-0	POWER SUPPLY CORD WITH PLUG 2P-14-2.5M (OLD# 664265-4)	1	PC.
21	*	266046-8	TAPPING SCREW 5X50 (TYPE5)	2	PC.
22		251644-1	HEX. FLANGE HEAD BOLT M8X20	1	PC.
23		224275-9	OUTER FLANGE 40	1	PC.
24		224151-7	INNER FLANGE 40	1	PC.
25		961201-4	RETAINING RING S-42	1	PC.
26		231828-7	TENSION SPRING 4 (OLD#231806-7)	1	PC.
27		285807-7	BEARING RETAINER 22-36 (TYPE1) (F/ TYPE1 BEARING BOX - Item No. 46)	1	PC.
		962153-2	RETAINING RING R-35 (TYPE2) (F/ TYPE2 BEARING BOX - Item No. 46)	1	PC.
28	*	324256-4	SPINDLE (TYPE3)	1	PC.
29	*	254032-1	WOODRUFF KEY 5 (OLD)	1	PC.
30		211206-7	BALL BEARING 6202LLB	1	PC.
31		251247-1	+ PAN HEAD SCREW M6X20	1	PC.
32		262502-6	RUBBER SLEEVE 6	1	PC.
33	*	153303-2	BLADE CASE COMPLETE (TYPE2) - N/L/A	1	PC.
	INC.	213459-4	O RING 32	1	PC.
	INC.	321062-8	HOOK PIN	1	PC.
	INC.	*****	Item No. 42		
	*	153531-9	BLADE CASE COMPLETE (TYPE3) - N/L/A	1	PC.
	INC.	213459-4	O RING 32	1	PC.
	INC.	321062-8	HOOK PIN	1	PC.
	INC.	*****	Item No. 42		
	*	153436-3	BLADE CASE COMPLETE (TYPE4)	1	PC.
	INC.	213459-4	O RING 32	1	PC.
	INC.		Item No. 42		
34		211106-1	BALL BEARING 6201LLB	1	PC.
35		213102-5	DUST SEAL 12	1	PC.
36		163113-9	SPINDLE LOCK	1	PC.
37		931402-8	HEX. NUT M8	1	PC.
38		911106-8	PAN HEAD SCREW M4X8	1	PC.
39		341415-5	LOCK PLATE	1	PC.
40		341416-3	LEVER PLATE	1	PC.
41		941201-0	FLAT WASHER 8	1	PC.
42		212052-1	NEEDLE BEARING 1010	1	PC.
43	*	961055-9	RETAINING RING S-15	1	PC.
44	*	226532-1	HELICAL GEAR 39 (TYPE2-3)	1	PC.
45		257064-7	RING 15	1	PC.
46		321061-0	BEARING BOX (TYPE1) - N/L/A Replace with TYPE2 BEARING BOX & RETAINING RING #962153-2 (ItemNo.27)	1	PC.
		316700-5	BEARING BOX (TYPE2) Use with TYPE2 RETAINING RING #962153-2 (ItemNo.27)	1	PC.
47		911126-2	PAN HEAD SCREW M4X16	4	PC.
48	*	317436-9	SAFETY COVER (TYPE3-4)	1	PC.
49		341417-1	LEVER	1	PC.

Item No.	Ref.	Part No.	Description	Qty	Unit
50		911111-5	P.H.SCREW M4X10 (TYPE1)	1	PC.
		266026-4	TAPPING SCREW BIND CT 4X12 (TYPE2)	1	PC.
51		251858-2	SCREW M6X15	1	PC.
52		951225-8	SPRING PIN 6-40 (TYPE1)	1	PC.
		265075-8	+ PAN HEAD SCREW K5 (TYPE2)	1	PC.
53		251920-3	CAP SQUARE NECK BOLT M6X30	1	PC.
54	*	267113-2	FLAT WASHER 12 (TYPE3-4)	1	PC.
55		912212-2	COUNTERSUNK HEAD SCREW M5X12	4	PC.
56		266249-4	CAP SQUARE NECK BOLT M8X24 (TYPE3-4)	1	PC.
57	*	163378-3	BASE (TYPE3-4)	1	PC.
58	*	163248-6	ANGULAR PLATE (TYPE2-4)	1	PC.
59		941151-9	FLAT WASHER 6	1	PC.
60		942151-2	SPRING WASHER 6	1	PC.
61		252624-0	WING NUT M6	1	PC.
62	*	266213-5	H.S.SET SCREW(FLAT POINT)M5X12 (TYPE3-4)	1	PC.
64		252103-8	HEX. LOCK NUT M5-8	1	PC.
68		913206-0	SET SCREW M5X8 (OLD)	2	PC.
70	*	415603-1	FAN GUIDE (TYPE4)	1	PC.
	*	418888-8	BUFFLE PLATE (TYPE5)	1	
71	*	819003-1	MAKITA LABEL (F/ Blade Case)	1	PC.
100		652021-4	SCREW #5-40 (F/ TYPE1 SWITCH)	4	PC.
		652008-6	P.H SCREW M3.5X7 (F/ TYPE2&3 SWITCH)	4	PC.
101		654001-6	SOLDERLESS EYE TERMINAL R1.25-3.5 (F/ SWITCH)	2	PC.
102		654004-0	TERMINAL 2-3S (F/ SWITCH - CORD)	2	PC.
103		687080-9	FIELD CLAMP	1	PC.

ACCESSORIES

A01		164095-8	GUIDE RULE	1	PC.
A02		781203-2	WRENCH 13 (TYPE1)	1	PC.
		782016-4	OFFSET WRENCH 13 (TYPE2)	1	PC.
A03		*****	7-1/4' C.T SAW BLADE (SEE CATALOGUE)	1	PC.
A04		125161-6	PLASTIC CARRYING CASE	1	PC.
	INC.	417700-9	HANDLE	1	PC.
	INC.	417902-7	LATCH	2	PC.

*** SEE SERVICE CHANGE**

INC.=INCLUDES

1. Service Change on Armature, Field, Motor Housing, etc.

Item No.	Description	TYPE1	TYPE2	TYPE3	TYPE4	TYPE5
2	ARMATURE ASS'Y	614586-4 (N/L/A)		616606-0		510057-8
		(14mm shaft)	(16mm shaft)			
3	INSULATION WASHER	681613-2	681625-5			
5	FIELD ASS'Y	624536-1		636066-0		
6	SCREW 4x12	911119-9 (P.H. SCREW)			266020-6 (TAPPING SCREW)	
8	SCREW	911148-2 (P.H.SCREW)			265995-6 (TAPPING SCREW)	
10	HEX NUT M4	931102-0			N.A	
12	MOTOR HOUSING	156465-5B (N/L/A)			152928-9	154746-1
16	STRAIN RELIEF	687001-1			687063-9	687052-4
17	SCREW 4x18	911131-9 or 911133-5 (P.H.SCREW)			265995-6 (TAPPING SCREW)	
19	HANDLE COVER	411523-7B			416889-0	
20	CORD WITH PLUG	664265-4 (2P-16-2.5M) (OLD#664213-3 - N/L/A)			664463-0 (2P-14-2.5M)	
21	SCREW	911280-2 (P.H.SCREW)	911676-7 (P.H.SCREW)	266046-8 (TAPPING SCREW)		
70	FAN GUIDE/BAFFLE PLATE	N/A	415603-1 (FAN GUIDE)	418888-8 (BAFFLE PLATE)		
103	FIELD CLAMP	N/A			687080-9	

Above Parts are interchangeable as a set.

2. Service Change on Spindle, Gear, etc.

Item No.	Description	TYPE1	TYPE2	TYPE3
28	SPINDLE	323789-6 (OLD#321060-2)	324044-9 (N/L/A)	324256-4
29	WOOD RUFF KEY 5	254032-1	N/A	
43	RETAINNING RING S-15	961055-9	N/A	961055-9
44	HELICAL GEAR 39	221647-9 (N/L/A)	226532-1	

Above Parts are interchangeable as a set.

3. Service Change on Blade Case Com., Base, Angular Plate, etc.

Item No.	Description	TYPE1	TYPE2	TYPE3	TYPE4
33	BLADE CASE	154254-2 (N/L/A)	153303-2 (N/L/A) or 154321-3 (N/L/A)	153531-9 (N/L/A)	153436-3
57	BASE	163177-3 (N/L/A)	163249-4 (N/L/A)	163378-3	
58	ANGULAR PLATE	163178-1 (N/L/A)	163248-6		
62	SCREW M5X12	N/A	265882-9 or 266180-4	266213-5	
48	SAFETY COVER	316962-5 (N/L/A)			317436-9
54	FLAT WASHER	267096-6(ID=8mm) (OLD#253069-5 - ID=12mm)			267113-2 (ID=12mm)
56	C.H.BOLT M8X24	265965-5 (OLD#251918-0)			266249-4
71	MAKITA LOGO LABEL	N/A			819003-1

Above Parts are interchangeable as a set.

TYPE2-3 Angular Plate can be used as TYPE1 Angular Plate.

ID = Inside Diameter