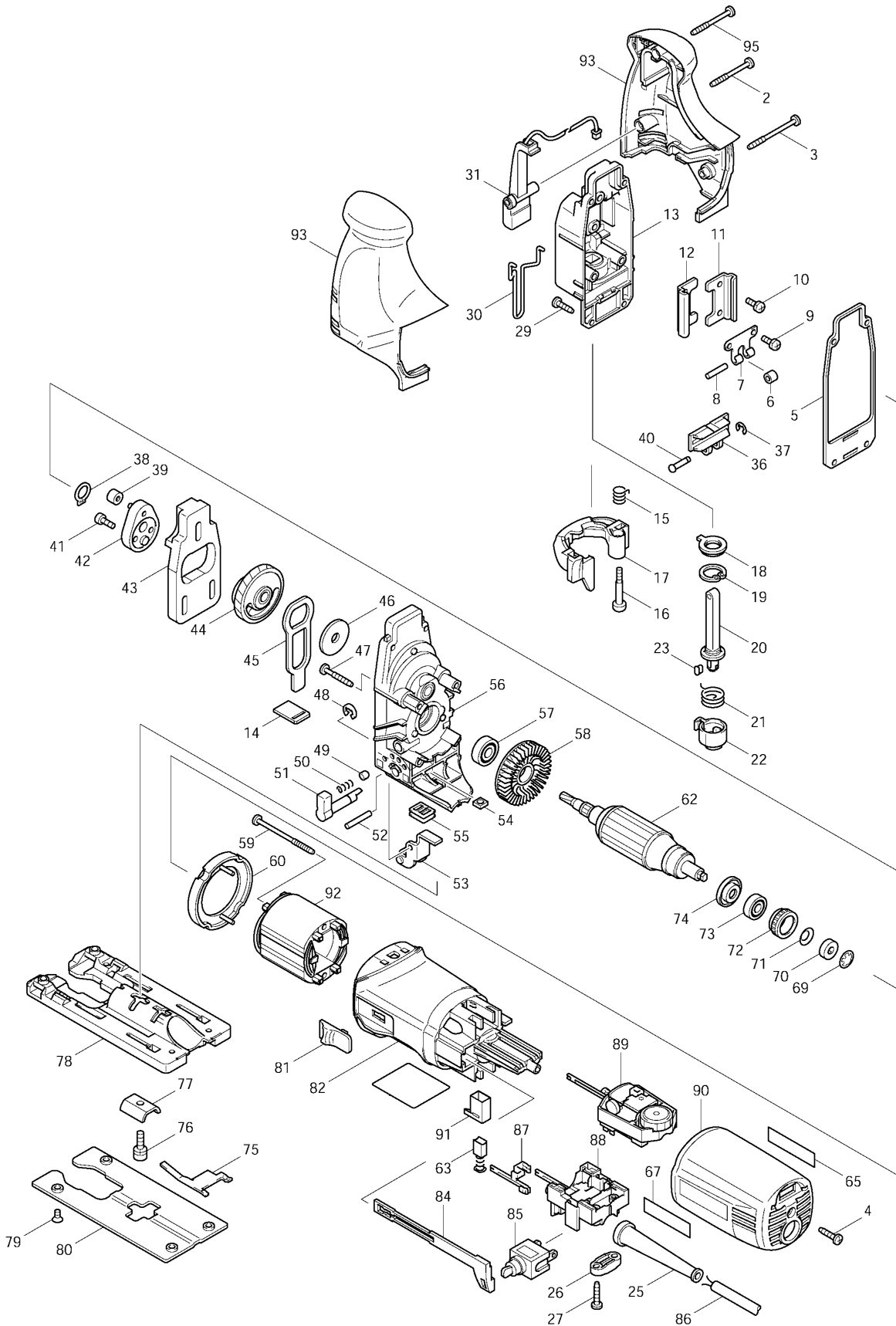
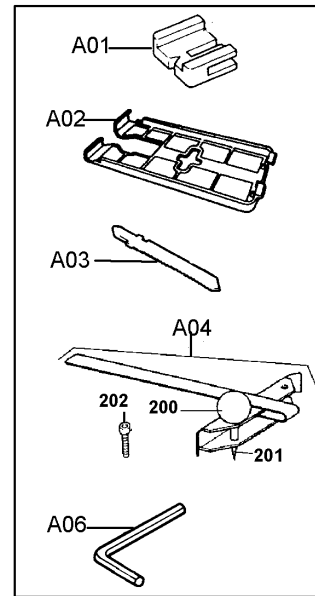
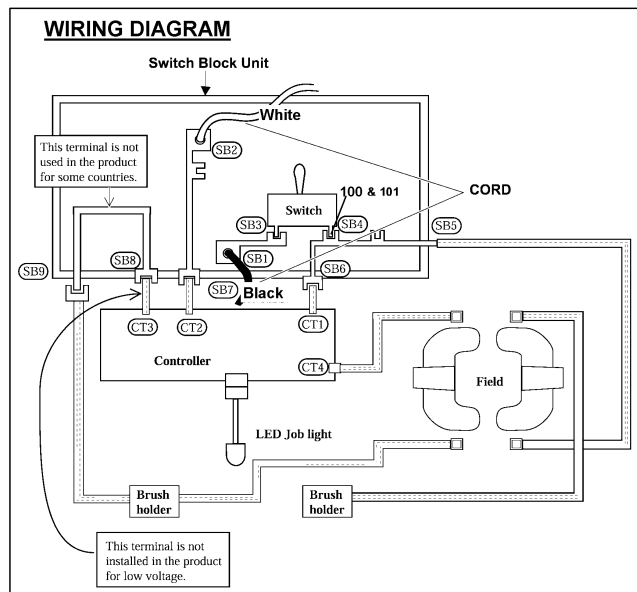




BARREL GRIP JIG SAW W/LIGHT Model 4341FCT (MME)





Item No.	Part No.	No. Used	Description	Item No.	Part No.	No. Used	Description
2	266048-4	1	Tapping Screw 4X40	46	253877-4	1	Flat Washer 8
3	266091-3	1	Tapping Screw 4X50	47	266050-7	4	Tapping Screw 4X30
4	265995-6	1	Tapping Screw 4X18	48	961018-5	1	Stop Ring E-5
5	442138-9	1	Packing	49	286032-3	1	Cap 5
6	214031-5	1	Plane Bearing 4	50	233139-6	1	Compression Spring 3
7	232207-2	1	Leaf Spring	51	272244-4	1	Lever 17
8	256117-9	1	Pin 4	52	268063-4	1	Pin 4
9	911111-5	2	P. H. Screw M4X10	53	153334-1	1	Retainer Com.
10	911111-5	2	P. H. Screw M4X10	54	252171-1	1	Square Nut M5-8
11	345240-6	1	Linear Guide	55	421816-4	1	Dust Seal
12	345240-6	1	Linear Guide	56	153337-5	1	Gear Housing Com.
13	153338-3	1	Gear Housing Cover Com.	57	210005-4	1	Ball Bearing 608DDW
14	417839-8	1	Seal Plate	58	241881-5	1	Fan 52
15	231659-4	1	Torsion Spring 6	59	266052-3	2	Tapping Screw 4X60
16	265026-1	1	+ P. H. Screw M4	60	417838-0	1	Baffle Plate
17	417842-9	1	Tool Opener	62	517396-7	1	Armature Assy (Includes Items 57, 58, 73 & 74)
18	421817-2	1	Dust Cover	63	191927-6	2	Carbon Brush CB-407 (2pcs/Set)
19	962068-3	1	Retaining Ring R-18	65	819063-3	1	Makita Label
20	165326-8	1	Rod	67	819063-3	1	Makita Label
21	231660-9	1	Torsion Spring 15	69	259039-2	1	Self Lock 6
22	310136-0	1	Blade Holder	70	688117-5	1	Magnet Sleeve
23	310135-2	1	Push Pin	71	267756-0	1	Wave Washer 6
25	682559-5	1	Cord Guard 8	72	421494-0	1	Rubber Ring 19
26	687063-9	1	Strain Relief	73	211021-9	1	Ball Bearing 607LLB
27	265995-6	2	Tapping Screw 4X18	74	681636-0	1	Insulation Washer
29	266034-5	4	Tapping Screw CT 4X16	75	232208-0	1	Leaf Spring
30	324233-6	1	Safety Wire	76	922226-3	1	Hex. Socket Head Bolt M5X18
31	631470-8	1	LED Circuit	77	345237-5	1	Crank Plate
36	310134-4	1	Slider	78	317565-8	1	Base
37	961017-7	1	Stop Ring E-3	79	912107-9	4	Countersunk Head Screw M4X8
38	961004-6	1	Retaining Ring S-8	80	345238-3	1	Base Plate
39	212014-9	1	Needle Bearing 407	81	417840-3	1	Switch Lever
40	268090-1	1	Pin 4	82	417758-8	1	Motor Housing
41	265353-6	2	Hex. Socket Head Bolt M4X12	84	417841-1	1	Switch Rod
42	153336-7	1	Crank Com.	85	651418-4	1	Switch ST115A-40 Single
43	313108-4	1	Balance Plate	86	664013-1	1	Cord with Plug 2P-18-2.5M
44	153335-9	1	Gear Com.	87	654223-8	2	Terminal F
45	345235-9	1	Push Plate				

Item No.	Part No.	No. Used	Description	Item No.	Part No.	No. Used	Description
88	638110-9	1	Switch Block Unit	Accessories			
89	631464-3	1	Controller	A01	415524-7	1	Anti-Splintering Device
90	183436-9	1	Rear Cover(Includes Items 65 & 67)	A02	417852-6	1	Cover Plate
91	643975-6	2	Brush Holder	A03	-----	1	Jig Saw Blade
92	633516-6	1	Field				(See Catalogue for Details)
93	183426-2	1	Head Cover Set	A04	193516-3	1	Guide Rule Set (Includes Items
95	266048-4	1	Tapping Screw 4X40				200-202)
100	652037-9	2	P. H. Screw M3.5x8	A06	783202-0	1	Hex. Wrench 4
101	654233-5	2	Insulated Terminal	A07	183475-9	1	Plastic Carrying Case (Includes
200	271601-3	1	Knob 20				Item A08) (Photo not Available)
201	323802-0	1	Guide Pin	A08	183091-7	1	Slide Latch Set (2pcs/Set)
202	922207-7	1	H.S.H. Bolt M5X10				

REPAIR TOOL

- 1R026 - Bearing Setting Pipe (Use for Self Lock)
- 1R235 - Round Bar for Arbor (Use for locking Crank Com.)
- 1R269 - Bearing Extractor (Special Order Item)