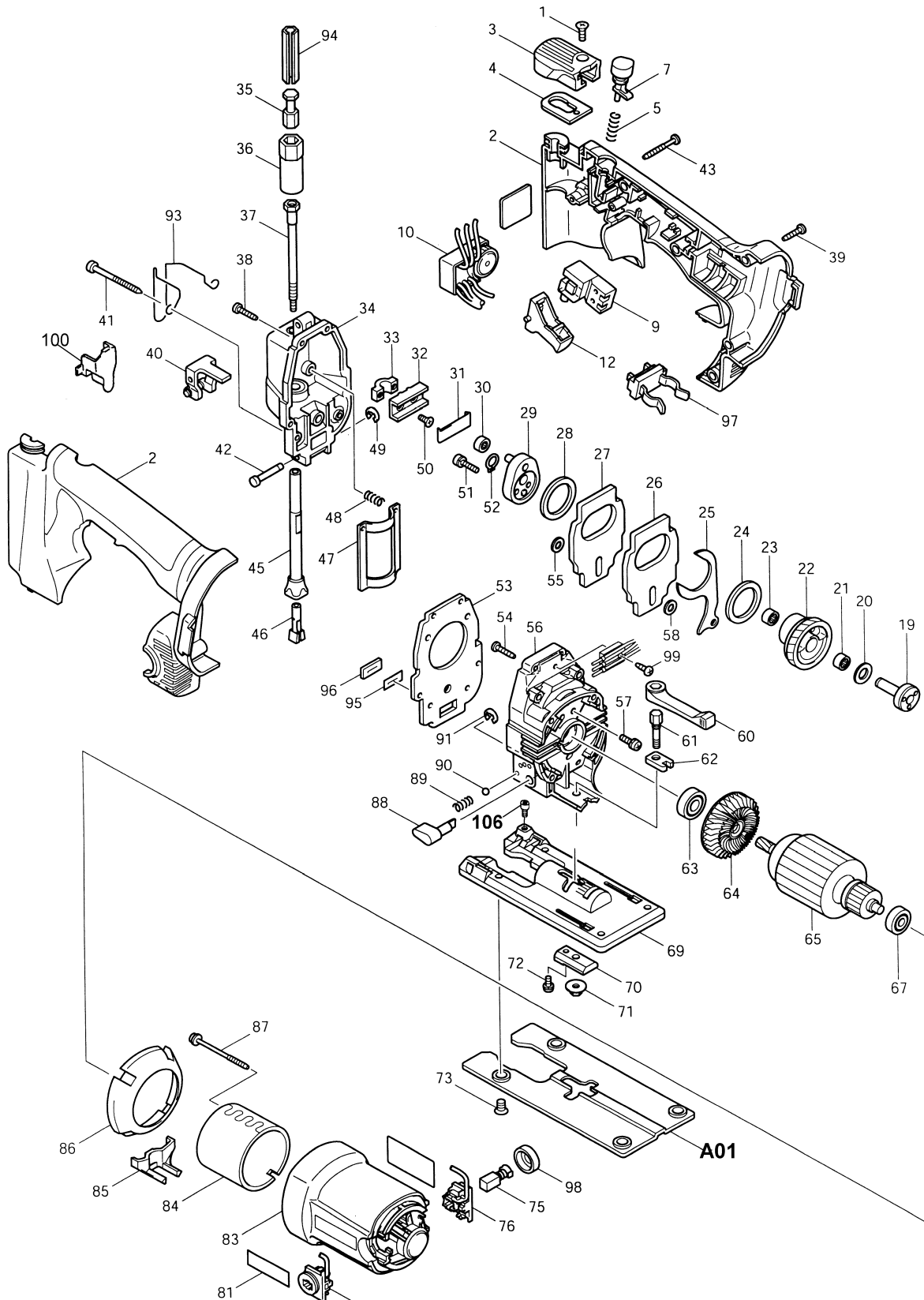
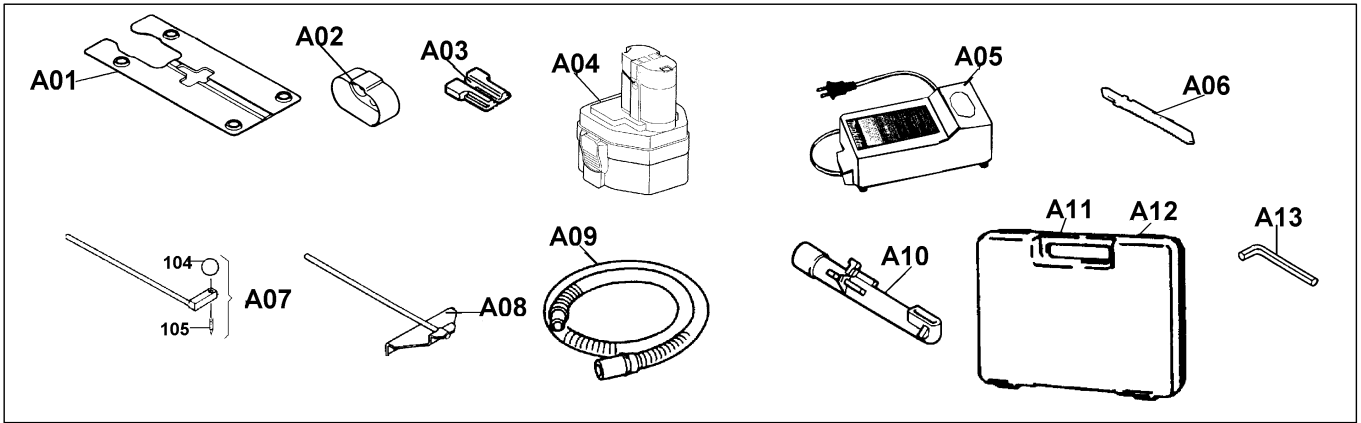
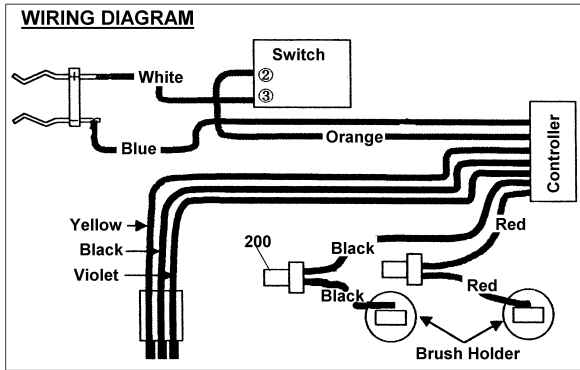




18V JIG SAW W/SPEED CONTROLLER

Model 4334DWD(MCA)





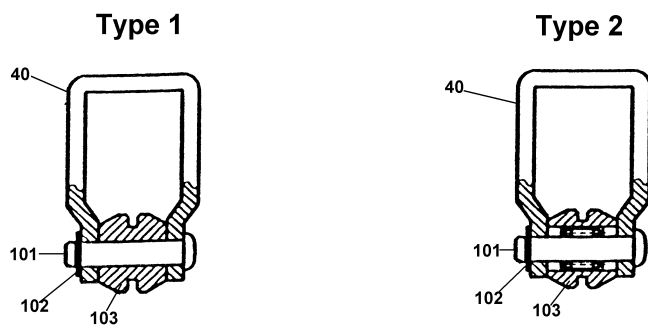
Item No.	Part No.	No. Used	Description	Item No.	Part No.	No. Used	Description
1	912102-9	1	Countersunk Head Screw M4X6	35	324097-8	1	Connector
2	183302-0	1	Handle Set	36	416351-5	1	Joint
3	416370-1	1	Lever 51	37	322826-3	1	Driver Rod
4	344331-0	1	Inner Lever	38	266034-5	2	Tapping Screw Ct 4x16
5	233194-8	1	Compression Spring 4	39	265995-6	5	Tapping Screw 4x18
7	416644-0	1	Switch Button	40	*	1	Retainer Com. (Includes Items 101 - 103)
9	651976-0	1	Switch TG73BD	41	266147-2	2	Tapping Screw 4X55
10	631373-6	1	Controller	42	256693-3	1	Pin 4
12	416642-4	1	Switch Lever	43	266048-4	1	Tapping Screw 4X40
19	322691-0	1	Gear Shaft	45	168282-1	1	Rod
20	253139-0	1	Flat Washer 8	46	310005-5	1	Blade Fix
21	212043-2	1	Needle Bearing 810	47	344137-6	1	Slide Plate
22	226538-9	1	Helical Gear	48	233151-6	2	Compression Spring 4
23	212043-2	1	Needle Bearing 810	49	961017-7	1	Stop Ring E-3
24	253792-2	1	Flat Washer 26	50	265035-0	2	Countersunk Head Screw M4X10
25	344134-2	1	Push Plate	51	922126-7	2	Hex. Socket Head Bolt M4X16
26	344330-2	1	Balance Plate	52	961004-6	1	Retaining Ring S-8
27	344330-2	1	Balance Plate	53	442123-2	1	Packing
28	253792-2	1	Flat Washer 26	54	265995-6	2	Tapping Screw 4X18
29	152454-8	1	Crank Com. (Includes 256033-5 - Pin 6)	55	253715-0	1	Flat Washer 6
30	212010-7	1	Needle Bearing 607	56	152771-6	1	Gear Housing Com. (Includes 256143-8 - Pin 6, 3X256235-5 - Pin 5, 263002-9 - Rubber Pin 4 & 2X951051-5 - Spring Pin 3-8)
31	344232-2	1	Thrust Plate	57	911111-5	3	P.H. Screw M4X10
32	310028-3	1	Slider	58	253715-0	1	Flat Washer 6
33	316608-3	1	Holder	60	272232-1	1	Lever 65
34	151596-5	1	Gear Housing Cover Com. (Includes 214005-6 - Plane Bearing 8 & 2X951057-3 - Spring Pin 3-12)	61	265434-6	1	Hex. Bolt M5X24

Item No.	Part No.	No. Used	Description	Item No.	Part No.	No. Used	Description
62	344332-8	1	Nut M6	103	961017-7	1	Stop Ring E-3 *
63	211031-6	1	Ball Bearing 608LLB	104	271601-3	1	Knob 20
64	240039-3	1	Fan 54 (Old 241875-0)	105	323223-6	1	Circular Guide Pin
65	519064-8	1	Armature Assy (Includes Items 63, 64 & 67)	106	922107-1	1	H.S.H. Bolt M4X8
67	211021-9	1	Ball Bearing 607LLB	200	654558-7	2	End Connector
69	316777-0	1	Base	Accessories			
70	344333-6	1	Clamp Plate	A01	413068-1	1	Base Plate (Plastic)
71	252142-8	1	Hex.Nut Flange M5		344443-9	1	Base Plate (Steel)
72	911109-2	1	P.H. Screw M4X8	A02	414938-7	1	Battery Cover
73	912202-5	4	Countersunk Head Screw M5X8	A03	415524-7	1	Anti-Splintering Device (Clear Board)
75	191970-5	2	Carbon Brush CB-429 (2pcs/Set)	A04	193159-1	1	18V Ni-Mh Battery 1834 (2.6Ah)
76	643976-4	1	Brush Holder R	A05	DC1801	1	DC1801 Battery Charger For 7.2V ~ 18V, 1.3Ah - 3.0Ah Ni-Cad & Ni-MH Batteries
77	643977-2	1	Brush Holder L	A06	-----	1	Jig Saw Blade (See Catalogue for Details)
81	819080-3	1	Makita Label	A07	123030-5	1	Circular Guide (Includes Items 104 & 105)
83	183324-0	1	Motor Housing Set (Includes Item 81)	A08	164113-2	1	Guide Rule (Rip Fence)
84	632828-4	1	Yoke Unit		192424-5	1	Guide Rule Set (Includes Items 106 & A13)
85	415879-0	1	Air Cap	A09	192108-0A	1	Hose
86	415878-2	1	Baffle Plate	A10	192418-0	1	Vacuum Head
87	266209-6	2	Tapping Screw 4X60	A11	824553-3	1	Plastic Carrying Case (Includes Item A12)
88	272231-3	1	Lever 17	A12	416400-0A	2	Slide Latch (2pcs/Set) (Old 416661-0)
89	233151-6	1	Compression Spring 4	A13	783201-2	1	Hex Wrench 3
90	216008-6	1	Steel Ball 4				
91	961018-5	1	Stop Ring E-5				
93	322893-8	1	Safety Wire				
94	344537-0	1	Hex. Sleeve				
95	344784-3	1	Seal Plate				
96	443106-5	1	Felt 10-20				
97	643918-8	1	Battery Holder				
98	643941-3	2	Brush Holder Cap				
99	911006-2	1	P.H. Screw M3X8				
100	415887-1	1	Protector				
101	268074-9	1	Pin 4 *				
102	152950-6	1	Roller/Roller Com. *				

* SEE SERVICE CHANGES

SERVICE CHANGES

1. Change on Retainer Com.



Item No.	Description	Type 1	Type 2
40	Retainer Com. (Includes Items 101 - 103)	151426-0	152947-5
101	Pin 4	256667-4	268074-9
102	Stop Ring E-3	961017-7	
103	Roller / Roller Com.	322709-7	152950-6

Above parts are completely interchangeable as a set.