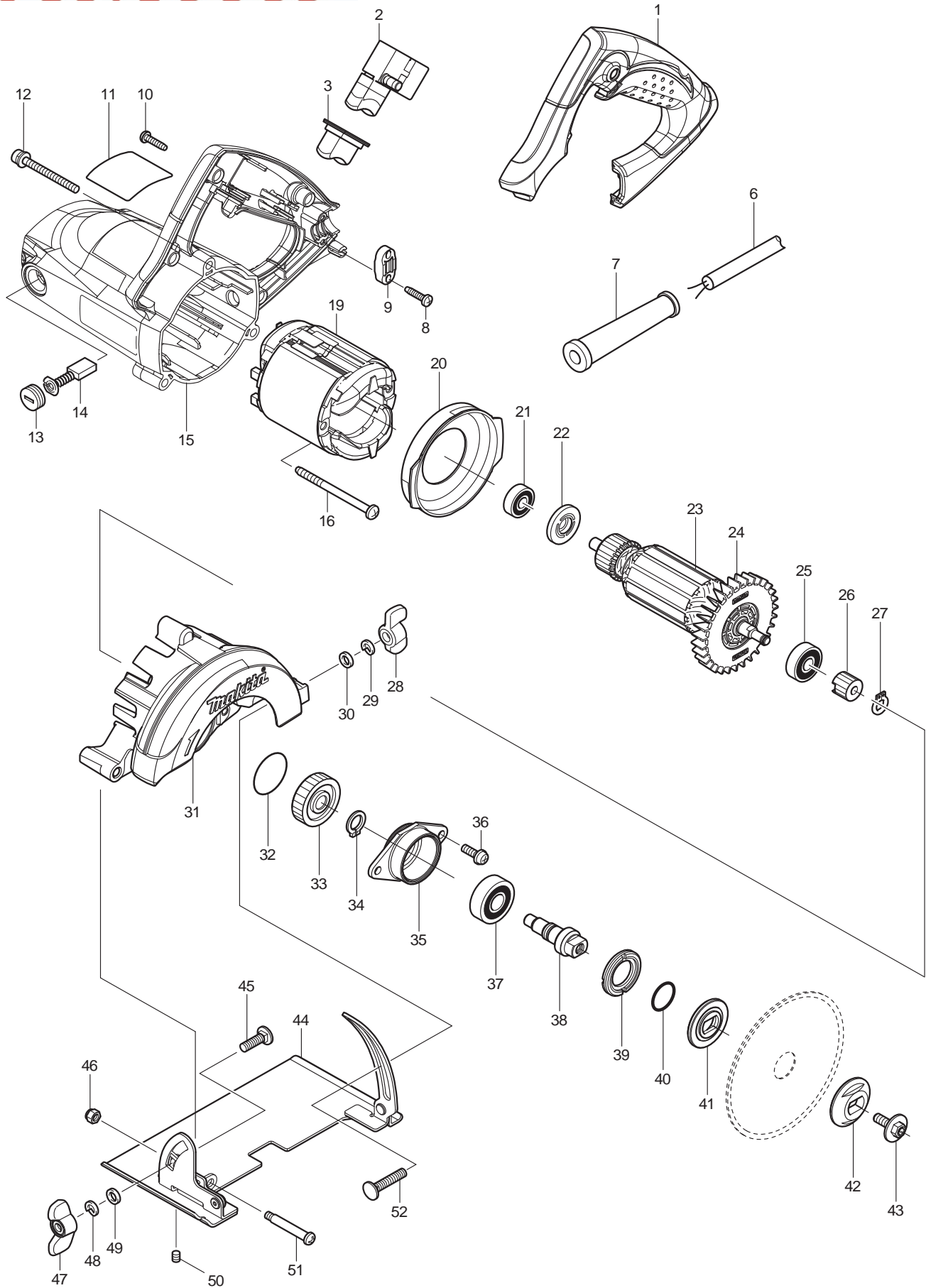




11 - 2010  
4100NSZX  
4" MASONRY SAW(MAX.4-3/8")



Item No	Type	Ref	R/ Part No	Description	Qty	Unit
1			450838-7	HANDLE COVER	1	PC.
2	2		650248-0	SWITCH SGES115C-3	1	PC.
3			424585-6	DUST COVER	1	PC.
6			664265-4	CORD WITH PLUG 2P-16-2.5M SJ	1	PC.
7			682505-8	CORD GUARD 10-90	1	PC.
8			265995-6	TAPPING SCREW 4X18	2	PC.
9			687063-9	CORD CLAMP	1	PC.
10			265995-6	TAPPING SCREW 4X18	4	PC.
11			866183-4	4100NS NAME PLATE	1	PC.
12			911263-2	PAN HEAD SCREW M5X40	3	PC.
13			643750-0	BRUSH HOLDER CAP	2	PC.
14			194996-6	CARBON BRUSH CB-303 2PC/SET (W/ORIGIN)	1	SET
15	2		141728-2	* MOTOR HOUSING COMPLETE	1	PC.
		INC.	643708-9	BRUSH HOLDER 5-11	2	PC.
		INC.	892784-2	CAUTION LABEL	1	PC.
16	2		266389-8	TAPPING SCREW 5X70	2	PC.
19			594581-9	FIELD ASSY 115V	1	PC.
		INC.	654020-2	RING TERMINAL	2	PC.
		INC.	654501-6	CONNECTOR P-1.25	2	PC.
20			450839-5	BUFFLE PLATE	1	PC.
21	1		211395-8	* BALL BEARING 608LLU	1	PC.
	2		210005-4	* BALL BEARING 608DDW	1	PC.
22			681644-1	INSULATION WASHER	1	PC.
23	3		518192-6	* ARMATURE ASSY 115V	1	PC.
		INC.		* Item No. 21,22,24,25		
24			240109-8	FAN 70	1	PC.
25			211092-6	BALL BEARING 629DDW	1	PC.
26			226695-3	HELICAL GEAR 17	1	PC.
27			961002-0	RETAINING RING S-6	1	PC.
28			252649-4	THUMB NUT M6	1	PC.
29			942151-2	SPRING WASHER 6	1	PC.
30			941151-9	FLAT WASHER 6	1	PC.
31	2		142541-1	* BLADE CASE COMPLETE	1	PC.
		INC.	212046-6	* NEEDLE BEARING 810	1	PC.
		INC.	213445-5	* O-RING 26	1	PC.
32			213444-7	O RING 30	1	PC.
33			226696-1	HELICAL GEAR 44	1	PC.
34			961052-5	RETAINING RING S-12	1	PC.
35	1		318346-3	* BEARING BOX	1	PC.
	2		319044-2	* BEARING BOX	1	PC.
36			911223-4	PAN HEAD SCREW M5X16	2	PC.
37			211129-9	BALL BEARING 6201DDW	1	PC.
38			325603-2	SPINDLE	1	PC.
39	1		285815-8	* BEARING RETAINER 19-33	1	PC.
	2		285834-4	* BEARING RETAINER 19-33	1	PC.
	3		285858-0	* BEARING RETAINER 19-33	1	PC.
40	2		213279-6	O RING 18	1	PC.
41			224423-0	INNER FLANGE 36	1	PC.
42			224424-8	OUTER FLANGE 36	1	PC.
43			266510-9	HEX. SOCKET HEX. BOLT M6X18	1	PC.
44			165548-0	BASE	1	PC.
45			251919-8	CAP SQUARE NECK BOLT M6X20	1	PC.
46			252103-8	HEX. LOCK NUT M5-8	1	PC.
47			252649-4	THUMB NUT M6	1	PC.
48			942151-2	SPRING WASHER 6	1	PC.
49			941151-9	FLAT WASHER 6	1	PC.
50			266264-8	H.S.SET SCREW(FLAT POINT)M5X6	1	PC.
51			266515-9	+ PAN HEAD SCREW M5	1	PC.
52			251920-3	CAP SQUARE NECK BOLT M6X30	1	PC.

Item No	Type	Ref	Part No	Description	Qty	Unit
53			253192-6	* FLAT WASHER 14 (Added)	1	PC.
54			213262-3	* O RING 18 (Added)	1	PC.
100			455133-0	* SPONGE (Added)	1	PC.
C01			872086-2	CARTON	1	PC.
D01			654037-5	INSULATED TERM. FK1.25-M3	2	PC.
D02			654509-0	CONNECTOR 2-SD	1	PC.
D03			652008-6	PAN HEAD SCREW M3.5X7	2	PC.
<b>ACCESSORIES</b>			<b>- See catalogue or visit <a href="http://www.makita.ca">www.makita.ca</a> for more optional accessories -</b>			
A01	2		781041-2	WRENCH 22	1	PC.
A02	2		783217-7	HEX. WRENCH 5	1	PC.
A03			A-94546	4" TURBO RIM DIAMOND WHEEL, WET/DRY	1	PC.
A04			D-36968	4-3/8" CURVED DIAMOND WHEEL 20MM	1	PC.

**SERVICE CHANGES**

**1. Changes on Armature**

(T/I#117292, 93576, C0140)

Item No.	Description	Type 1	Type 2	Type 2
23	Armature Assy 115V	513766-8	510220-3	518192-6
21	Ball Bearing	210005-4	211395-8	

Above parts are completely interchangeable as a set.

**NOTE:**

\*Type1 Armature #513766-8 can be used for the tools to be repaired that has no damage on the Ball Bearing in commutator side.

**2. Changes on Motor Housing**

(T/I# 94589)

Item No.	Description	Type 1	Type 2
15	Motor Housing Com.	141002-2	141728-2
53	Flat Washer	-	253192-6
54	O Ring	-	213262-3

Above parts are completely interchangeable as a set.

**3. Changes on Bearing box and Bearing retainer**

(TI#A1058)

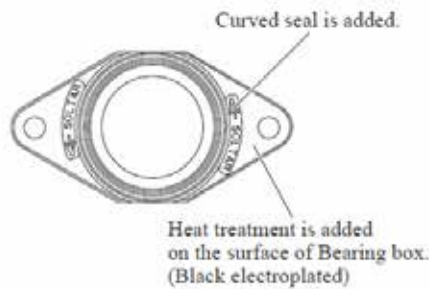
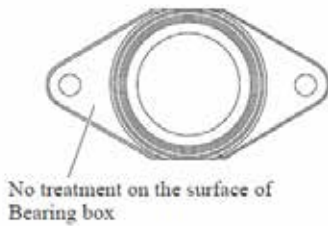
Item No.	Description	Type 1	Type 2
35	Bearing box	318346-3	319044-2
39	Bearing retainer 19-33	285834-4	285858-0

Above parts are completely interchangeable as a set.

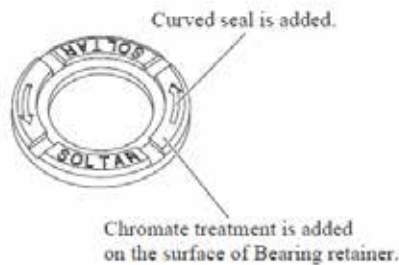
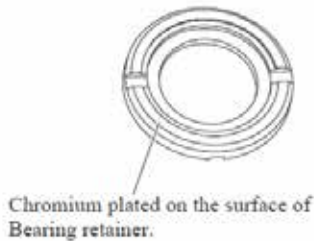
Type 1

Type 2

① Bearing box



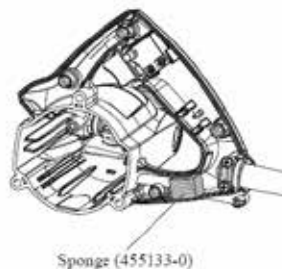
② ③ Bearing retainer 19-33



**4. Addition of Sponge**

(TI#A2622)

Item No.	Description	Type 1
100	Sponge	455133-0



5. Changes on Blade case complete

(TI#A2368)

Item No.	Description	Type 1	Type 2
31	Blade case complete	158836-2	142541-1

Type 1

Type 2

