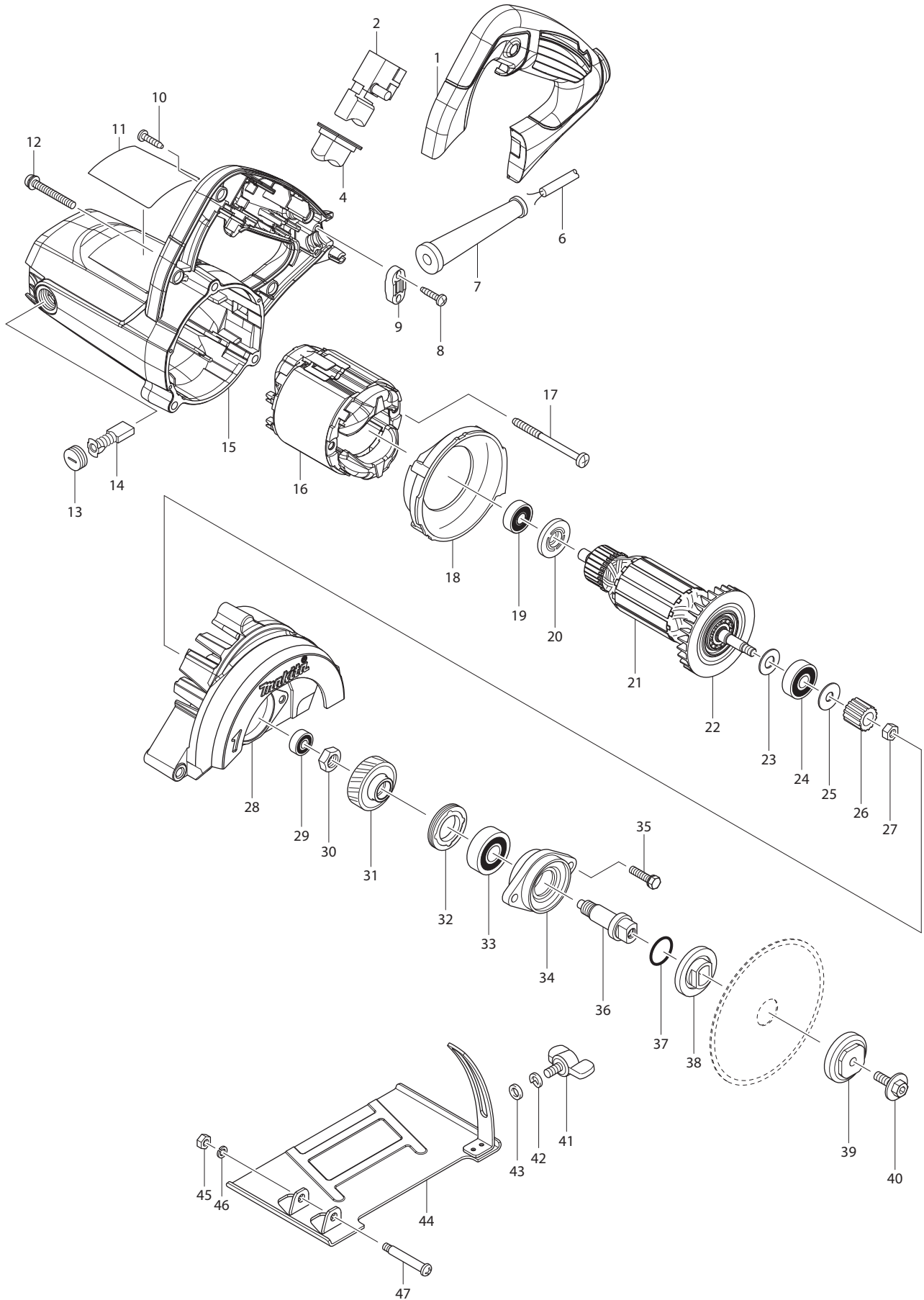




12 - 2014
4100NH3ZX
4-3/8" MASONRY SAW



Item No.	Type	Sub	Part No.	Description	Qty	Unit
001			454557-7	HANDLE COVER	1	PC.
002			650250-3	SWITCH FA1-6/1D-3	1	PC.
004			424585-6	DUST COVER	1	PC.
006			664891-9	CORD WITH PLUG 2P-18-2.5M SJ	1	PC.
007			682503-2	CORD GUARD 8-90	1	PC.
008			266326-2	TAPPING SCREW 4X18	2	PC.
009			687123-7	STRAIN RELIEF	1	PC.
010			266326-2	TAPPING SCREW 4X18	4	PC.
011			814L09-6	NAME PLATE F/ 4100NH3	1	PC.
012			265104-7	PAN HEAD SCREW M5X40	3	PC.
013			643750-0	BRUSH HOLDER CAP 7-11	2	PC.
014			194996-6	CARBON BRUSH CB-303 2PC/SET W/ORIGIN	1	SET
015			143193-1	MOTOR HOUSING COMPLETE	1	PC.
		INC.	643708-9	BRUSH HOLDER 5-11	2	PC.
		INC.	806G59-5	CAUTION LABEL	1	PC.
016			594611-6	FIELD ASS'Y 115V	1	PC.
		INC.	654020-2	RING TERMINAL	2	PC.
	2	INC.	654485-8	PARALLEL SPLICE	2	PC.
017			266352-1	TAPPING SCREW 5X65	2	PC.
018			417810-2	BAFFLE PLATE	1	PC.
019			211395-8	BALL BEARING 608LLU	1	PC.
020			681644-1	INSULATION WASHER	1	PC.
021			513866-4	ARMATURE ASS'Y 115V	1	PC.
		INC.		Item No. 19,20,22-24		
022			240053-9	FAN 65	1	PC.
023			267237-4	FLAT WASHER 9	1	PC.
024			211092-6	BALL BEARING 629DDW	1	PC.
025			267239-0	FLAT WASHER 7	1	PC.
026			226552-5	HELICAL GEAR 15	1	PC.
027			252186-8	HEX. NUT M6	1	PC.
028			142143-3	BLADE CASE COMPLETE	1	PC.
		INC.	213445-5	O-RING 26	1	PC.
029			210028-2	BALL BEARING 606ZZ	1	PC.
030			252170-3	HEX. NUT M10-17	1	PC.
031			227767-7	HELICAL GEAR 34	1	PC.
032			285840-9	BEARING RETAINER 19-33	1	PC.
033			211129-9	BALL BEARING 6201DDW	1	PC.
034			317550-1	BEARING BOX	1	PC.
035			265497-2	+ HEX. BOLT M5X20	2	PC.
036			324221-3	SPINDLE	1	PC.
037			213279-6	O RING 18	1	PC.
038			224080-4	INNER FLANGE 36	1	PC.
039			224081-2	OUTER FLANGE 36	1	PC.
040			266510-9	HEX. SOCKET HEX. BOLT M6X18	1	PC.
041			265754-8	THUMB SCREW M6X12	1	PC.
042	2		253428-3	SPRING WASHER 6 (removed)	1	PC.
043			941151-9	FLAT WASHER 6	1	PC.
044			165711-5	BASE	1	PC.
045			252137-1	HEX. NUT M5-8	1	PC.
046	2		253427-5	SPRING WASHER 5	1	PC.
047			265056-2	+ PAN HEAD SCREW M5	1	PC.
C01B			877603-3	CARTON F/4100NH3ZX	1	PC.
D02			654037-5	INSULATED TERM. FT1.25-M3	2	PC.

Item No.	Type	Sub	Part No.	Description	Qty	Unit
D03			654509-0	CONNECTOR 2-SD	1	PC.
D05			652040-0	+ PAN HEAD SCREW M3.5X6	2	PC.
E01			424635-7	SPONGE	1	PC.
<u>ACCESSORIES</u>			- See Catalogue or visit www.makita.ca for more accessories -			
A01			781041-2	WRENCH 22	1	PC.
A02			783217-7	HEX. WRENCH 5	1	PC.
A03	1		A-94546	4" TURBO RIM DIAMOND WHEEL, WET/DRY	1	PC.
	2		B-69680	4" TURBO RIM DIAMOND WHEEL	1	PC.
	Opt		D-36968	4-3/8" CURVED DIAMOND WHEEL 20MM, DRY	1	PC.